



ERSATZTEILKATALOG



Porter Multitech E6, E6-C 2015-2020

Vorsatzcode Fahrgestell:

Vorsatzcode Motor:

*Benzin/Flüssiggas/
Methangas Standard*

MM6R8KAT02

Inhaltsverzeichnis

Fertige Produkte.....	5
Alphanumerisches Verzeichnis.....	40
Motor.....	54
Tafel 01.01 - Motor, komplett.....	54
Tafel 01.04 - Kurbelwelle.....	55
Tafel 01.06 - Zylinderblock.....	56
Tafel 01.07 - Einheit Kolben.....	57
Tafel 01.08 - Einheit Kopf - Ventil.....	58
Tafel 01.10 - Zylinderkopfabdeckung.....	61
Tafel 01.14 - Ventilsteuerungsriemen und Deckel.....	62
Tafel 01.16 - Wasserpumpe.....	63
Tafel 01.17 - Starter - Elektrischer starter.....	65
Tafel 01.19 - Lichtmaschine.....	66
Tafel 01.21 - Ölfilter.....	67
Tafel 01.25 - Hinterachsantrieb.....	68
Tafel 01.26 - Getriebegehäuse.....	71
Tafel 01.27 - Schaltgetriebe.....	73
Tafel 01.28 - Schalthebel.....	75
Tafel 01.29 - Interne Schaltsegmente.....	76
Tafel 01.30 - Kupplung.....	77
Tafel 01.32 - Drosselkörper und Einspritzdüsen.....	78
Tafel 01.33 - Einlass- und Auslassstutzen.....	79
Tafel 01.37 - Auspufftopf.....	81
Tafel 01.38 - Luftfilter.....	82
Fahrgestell - Plastformteil - Karosserien.....	84
Tafel 02.02 - Rahmen/ vordere Karosserieteile.....	84
Tafel 02.03 - Rahmen/ seitliche Karosserieteile.....	86
Tafel 02.04 - Rahmen/Karosserie hinten.....	88
Tafel 02.06 - Motorhalterungen.....	89
Tafel 02.07 - Vordere Türen - Scheibe.....	90
Tafel 02.08 - Bauteile vordere Türen.....	92
Tafel 02.09 - Hintere Türen - Scheibe.....	93
Tafel 02.10 - Komponenten der Türen hinten.....	94
Tafel 02.11 - Hintere Klappe - Scheibe.....	97
Tafel 02.13 - Kabinenbauteile.....	98
Tafel 02.14 - Sicherheitsgurte.....	99
Tafel 02.15 - Dachpaneel.....	100
Tafel 02.16 - Isolierpaneele - Zierleisten.....	101
Tafel 02.17 - Hinteres Bodenpaneel.....	102
Tafel 02.18 - Offene Ladefläche.....	104
Tafel 02.19 - Offene Ladefläche - (Tipper).....	107
Tafel 02.20 - Ladeflächenbauteile.....	108
Tafel 02.21 - Ladeflächen-Bordwände.....	109

Tafel 02.22 - Ladeflächen-Bordwände (Tipper).....	112
Tafel 02.23 - Kippsystem.....	113
Tafel 02.24 - Kippumpe - Bestandteile.....	115
Tafel 02.25 - Windschutzscheibe - Scheiben.....	116
Tafel 02.26 - Fensterheber vorne und hinten.....	117
Tafel 02.27 - Hintere Seitenfenster - Paneele.....	118
Tafel 02.29 - Vorderes Bodenpaneel.....	119
Tafel 02.30 - Verkleidungen vorne.....	121
Tafel 02.31 - Hinterabdeckung.....	123
Tafel 02.32 - Plaketten - Verzierungen.....	124
Tafel 02.33 - Vordersitze.....	125
Tafel 02.34 - Rücksitze.....	127
Tafel 02.35 - Innenverkleidungen.....	128
Tafel 02.36 - Rückspiegel/n.....	129
Tafel 02.37 - Schloßen.....	130
Tafel 02.38 - Benzintank.....	131
Tafel 02.39 - Benzintank II.....	133
Tafel 02.43 - Kühlanlage.....	135
Tafel 02.44 - Bauteile Kühlanlage.....	137
Tafel 02.45 - Heizungsanlage.....	138
Tafel 02.47 - Klimaanlage.....	140
Lenker/Lenkung.....	142
Tafel 03.02 - Cockpitinstrumente - Cruscotto.....	142
Tafel 03.04 - Mittlerer Tunnel.....	144
Tafel 03.06 - Lenkradartikulation.....	145
Tafel 03.08 - Lenkrad.....	147
Radaufhängungen.....	148
Tafel 04.01 - Schwingarm.....	148
Tafel 04.03 - Vordere Radaufhängung - Stoßdämpfer.....	149
Tafel 04.04 - Vorderradnabe.....	150
Tafel 04.05 - Hintere Radaufhängung - Stoßdämpfer.....	151
Tafel 04.06 - Vorderräder und Hinterräder.....	152
Tafel 04.07 - Ersatzrad - Werkzeugtasche.....	153
Bremsanlage - Bowdenzüge.....	154
Tafel 05.01 - Front bremschlauchen - Pumpe.....	154
Tafel 05.02 - Bremschlauchen - Bremszangen.....	155
Tafel 05.03 - Bremschlauchen - Bremszangen II.....	157
Tafel 05.04 - Bremsleitungen Hinterradbremse.....	159
Tafel 05.06 - Feststellbremse.....	160
Tafel 05.07 - Bremsbackensätzen.....	161
Tafel 05.08 - Steuerpedal - Hebeln.....	162
Tafel 05.09 - Gaspedal.....	163
Elektrische Anlage.....	164
Tafel 06.01 - Wechselschalter - Umschalter - Druckschalter - Schalter.....	164
Tafel 06.02 - Vorderleuchten - Blinkleuchten.....	165

Tafel 06.03 - Hinterleuchten - Blinkleuchten.....	166
Tafel 06.04 - Fernschalteren - Batterie - Hupe.....	168
Tafel 06.05 - Spannungsreglerern - Zündspule.....	170
Tafel 06.06 - Steuerelektroniken - Sensoren.....	171
Tafel 06.07 - Hauptkabelbaum.....	172
Tafel 06.08 - Hauptkabelbaum II.....	173
Tafel 06.09 - Bauteile elektrische Anlage.....	174
Tafel 06.12 - Vorderer und hinterer Scheibenwischer.....	175
Tafel 06.13 - Optional.....	177
LPG.....	179
Tafel 08.02 - Benzintank GPL (Van).....	179
Tafel 08.03 - Benrin-einspritzanlage GPL.....	181
Tafel 08.04 - Benzintank GPL (Chassis).....	183
Tafel 08.05 - Benzintank GPL (Big Deck).....	185
Tafel 08.06 - Benzintank GPL (Tipper).....	187
Methan.....	189
Tafel 09.01 - Kraftstofftank Methan.....	189
Tafel 09.02 - Kraftstofftank Methan II.....	191
Tafel 09.03 - Benrin-einspritzanlage Methan.....	194

Fertige Produkte

Code	Gültigkeit
MF6R0EA002	
MF6R0EA004	
MF6R0EA005	
MF6R0EA102	
MF6R0ER002	
MF6R0ER004	
MF6R0ER005	
MF6R0ER102	
MF6R0ES002	
MF6R0ES004	
MF6R0ES005	
MF6R0ES102	
MF6R0KA097	
MF6R0KA302	
MF6R0KA304	
MF6R0KA305	
MF6R0KA394	
MF6R0KAH02	
MF6R0KAY04	
MF6R0KR089	
MF6R0KR097	
MF6R0KR098	
MF6R0KR099	
MF6R0KR302	
MF6R0KR304	
MF6R0KR305	
MF6R0KR394	
MF6R0KRH02	
MF6R0KRY04	
MF6R0KRY05	
MF6R0KS099	
MF6R0KS302	
MF6R0KS304	
MF6R0KS305	
MF6R0KSH02	
MF6R2EA002	
MF6R2EA004	
MF6R2EA005	
MF6R2ER002	
MF6R2ER004	
MF6R2ER005	
MF6R2ES002	

Code	Gültigkeit
MF6R2ES004	
MF6R2ES005	
MF6R2KA302	
MF6R2KA304	
MF6R2KA305	
MF6R2KR302	
MF6R2KR304	
MF6R2KR305	
MF6R2KS302	
MF6R2KS304	
MF6R2KS305	
MF6R6EA002	
MF6R6EA004	
MF6R6EA005	
MF6R6ER002	
MF6R6ER004	
MF6R6ER005	
MF6R6ES002	
MF6R6ES004	
MF6R6ES005	
MF6R6KA302	
MF6R6KA304	
MF6R6KA305	
MF6R6KR302	
MF6R6KR304	
MF6R6KR305	
MF6R6KS302	
MF6R6KS304	
MF6R6KS305	
MF6R8EA002	
MF6R8EA004	
MF6R8EA005	
MF6R8EA102	
MF6R8ER002	
MF6R8ER004	
MF6R8ER005	
MF6R8ER102	
MF6R8ES002	
MF6R8ES004	
MF6R8ES005	
MF6R8ES102	
MF6R8KA097	
MF6R8KA302	
MF6R8KA304	
MF6R8KA305	

Code	Gültigkeit
MF6R8KA394	
MF6R8KAH02	
MF6R8KAY04	
MF6R8KR089	
MF6R8KR097	
MF6R8KR098	
MF6R8KR099	
MF6R8KR302	
MF6R8KR304	
MF6R8KR305	
MF6R8KR394	
MF6R8KRH02	
MF6R8KRY04	
MF6R8KRY05	
MF6R8KS099	
MF6R8KS302	
MF6R8KS304	
MF6R8KS305	
MF6R8KSH02	
MF6RBEA002	
MF6RBEA004	
MF6RBEA005	
MF6RBER002	
MF6RBER004	
MF6RBER005	
MF6RBES002	
MF6RBES004	
MF6RBES005	
MF6RBKA302	
MF6RBKA304	
MF6RBKA305	
MF6RBKR302	
MF6RBKR304	
MF6RBKR305	
MF6RBKS302	
MF6RBKS304	
MF6RBKS305	
MF6RKEA002	
MF6RKEA004	
MF6RKEA005	
MF6RKER002	
MF6RKER004	
MF6RKER005	
MF6RKES002	
MF6RKES004	

Code	Gültigkeit
MF6RKES005	
MF6RKKA302	
MF6RKKA304	
MF6RKKA305	
MF6RKKR302	
MF6RKKR304	
MF6RKKR305	
MF6RKKS302	
MF6RKKS304	
MF6RKKS305	
MF6V0EA002	
MF6V0EA004	
MF6V0EA005	
MF6V0EA102	
MF6V0ER002	
MF6V0ER004	
MF6V0ER005	
MF6V0ER102	
MF6V0ES002	
MF6V0ES004	
MF6V0ES005	
MF6V0ES102	
MF6V0KA089	
MF6V0KA302	
MF6V0KA304	
MF6V0KA305	
MF6V0KA394	
MF6V0KAH02	
MF6V0KAY02	
MF6V0KAY04	
MF6V0KAY05	
MF6V0KR302	
MF6V0KR304	
MF6V0KR305	
MF6V0KRH02	
MF6V0KRY05	
MF6V0KS089	
MF6V0KS099	
MF6V0KS302	
MF6V0KS304	
MF6V0KS305	
MF6V0KS394	
MF6V0KSH02	
MF6V2EA002	
MF6V2EA004	

Code	Gültigkeit
MF6V2EA005	
MF6V2ER002	
MF6V2ER004	
MF6V2ER005	
MF6V2ES002	
MF6V2ES004	
MF6V2ES005	
MF6V2KA302	
MF6V2KA304	
MF6V2KA305	
MF6V2KAY02	
MF6V2KR302	
MF6V2KR304	
MF6V2KR305	
MF6V2KS302	
MF6V2KS304	
MF6V2KS305	
MF6V6EA002	
MF6V6EA004	
MF6V6EA005	
MF6V6ER002	
MF6V6ER004	
MF6V6ER005	
MF6V6ES002	
MF6V6ES004	
MF6V6ES005	
MF6V6KA302	
MF6V6KA304	
MF6V6KA305	
MF6V6KAY02	
MF6V6KR302	
MF6V6KR304	
MF6V6KR305	
MF6V6KS302	
MF6V6KS304	
MF6V6KS305	
MF6V8EA002	
MF6V8EA004	
MF6V8EA005	
MF6V8EA102	
MF6V8ER002	
MF6V8ER004	
MF6V8ER005	
MF6V8ER102	
MF6V8ES002	

Code	Gültigkeit
MF6V8ES004	
MF6V8ES005	
MF6V8ES102	
MF6V8KA302	
MF6V8KA304	
MF6V8KA305	
MF6V8KA394	
MF6V8KAH02	
MF6V8KAY02	
MF6V8KAY04	
MF6V8KAY05	
MF6V8KR302	
MF6V8KR304	
MF6V8KR305	
MF6V8KRH02	
MF6V8KRY05	
MF6V8KS099	
MF6V8KS302	
MF6V8KS304	
MF6V8KS305	
MF6V8KS394	
MF6V8KSH02	
MF6VBEA002	
MF6VBEA004	
MF6VBEA005	
MF6VBER002	
MF6VBER004	
MF6VBER005	
MF6VBES002	
MF6VBES004	
MF6VBES005	
MF6VBKA302	
MF6VBKA304	
MF6VBKA305	
MF6VBKAY02	
MF6VBKR302	
MF6VBKR304	
MF6VBKR305	
MF6VBKS302	
MF6VBKS304	
MF6VBKS305	
MF6VKEA002	
MF6VKEA004	
MF6VKEA005	
MF6VKER002	

Code	Gültigkeit
MF6VKER004	
MF6VKER005	
MF6VKES002	
MF6VKES004	
MF6VKES005	
MF6VKKA302	
MF6VKKA304	
MF6VKKA305	
MF6VKKAY02	
MF6VKKR302	
MF6VKKR304	
MF6VKKR305	
MF6VKK302	
MF6VKK304	
MF6VKK305	
MFMV0EA004	
MFMV0KA304	
MFMV8EA004	
MFMV8KA304	
MFUR0KS389	
MFUV0KS385	
MFUV8KS385	
MM6R0EA002	
MM6R0EA004	
MM6R0EA005	
MM6R0EA094	
MM6R0EA102	
MM6R0ER002	
MM6R0ER004	
MM6R0ER005	
MM6R0ER102	
MM6R0KA097	
MM6R0KAG02	
MM6R0KAJ04	
MM6R0KAN02	
MM6R0KAR02	
MM6R0KAT02	
MM6R0KAT04	
MM6R0KAT05	
MM6R0KAT94	
MM6R0KR097	
MM6R0KR099	
MM6R0KRJ04	
MM6R0KRM02	
MM6R0KRR02	

Code	Gültigkeit
MM6R0KRT02	
MM6R0KRT04	
MM6R0KRT05	
MM6R0KRT94	
MM6R2EA002	
MM6R2EA004	
MM6R2EA005	
MM6R2ER002	
MM6R2ER004	
MM6R2ER005	
MM6R2KAJ04	
MM6R2KAR02	
MM6R2KAT02	
MM6R2KAT04	
MM6R2KAT05	
MM6R2KRJ04	
MM6R2KRT02	
MM6R2KRT04	
MM6R2KRT05	
MM6R6EA002	
MM6R6EA004	
MM6R6EA005	
MM6R6ER002	
MM6R6ER004	
MM6R6ER005	
MM6R6KAJ04	
MM6R6KAT02	
MM6R6KAT04	
MM6R6KAT05	
MM6R6KRJ04	
MM6R6KRT02	
MM6R6KRT04	
MM6R6KRT05	
MM6R8EA002	
MM6R8EA004	
MM6R8EA005	
MM6R8EA094	
MM6R8EA102	
MM6R8ER002	
MM6R8ER004	
MM6R8ER005	
MM6R8ER102	
MM6R8KA097	
MM6R8KAG02	
MM6R8KAJ04	

Code	Gültigkeit
MM6R8KAN02	
MM6R8KAR02	
MM6R8KAT02	
MM6R8KAT04	
MM6R8KAT05	
MM6R8KAT94	
MM6R8KR097	
MM6R8KR099	
MM6R8KRJ04	
MM6R8KRM02	
MM6R8KRR02	
MM6R8KRT02	
MM6R8KRT04	
MM6R8KRT05	
MM6R8KRT94	
MM6RBEA002	
MM6RBEA004	
MM6RBEA005	
MM6RBER002	
MM6RBER004	
MM6RBER005	
MM6RBKAJ04	
MM6RBKAT02	
MM6RBKAT04	
MM6RBKAT05	
MM6RBKRJ04	
MM6RBKRT02	
MM6RBKRT04	
MM6RBKRT05	
MM6RJKRT02	
MM6RKEA002	
MM6RKEA004	
MM6RKEA005	
MM6RKER002	
MM6RKER004	
MM6RKER005	
MM6RKKAJ04	
MM6RKKAT02	
MM6RKKAT04	
MM6RKKAT05	
MM6RKKRJ04	
MM6RKKRT02	
MM6RKKRT04	
MM6RKKRT05	
MM6V0EA002	

Code	Gültigkeit
MM6V0EA004	
MM6V0EA005	
MM6V0EA089	
MM6V0EA094	
MM6V0EA102	
MM6V0ER002	
MM6V0ER004	
MM6V0ER005	
MM6V0ER102	
MM6V0KA085	
MM6V0KA089	
MM6V0KA097	
MM6V0KAJ02	
MM6V0KAJ04	
MM6V0KAJ05	
MM6V0KAM02	
MM6V0KAR02	
MM6V0KAR89	
MM6V0KAT02	
MM6V0KAT04	
MM6V0KAT05	
MM6V0KAT94	
MM6V0KR089	
MM6V0KR097	
MM6V0KR099	
MM6V0KRJ04	
MM6V0KRR02	
MM6V0KRT02	
MM6V0KRT04	
MM6V0KRT05	
MM6V0KRT94	
MM6V2EA002	
MM6V2EA004	
MM6V2EA005	
MM6V2EA102	
MM6V2ER002	
MM6V2ER004	
MM6V2ER005	
MM6V2KAJ02	
MM6V2KAJ04	
MM6V2KAJ05	
MM6V2KAM02	
MM6V2KAR02	
MM6V2KAT02	
MM6V2KAT04	

Code	Gültigkeit
MM6V2KAT05	
MM6V2KRJ04	
MM6V2KRT02	
MM6V2KRT04	
MM6V2KRT05	
MM6V6EA002	
MM6V6EA004	
MM6V6EA005	
MM6V6ER002	
MM6V6ER004	
MM6V6ER005	
MM6V6KAJ02	
MM6V6KAJ04	
MM6V6KAT02	
MM6V6KAT04	
MM6V6KAT05	
MM6V6KRJ04	
MM6V6KRT02	
MM6V6KRT04	
MM6V6KRT05	
MM6V8EA002	
MM6V8EA004	
MM6V8EA005	
MM6V8EA089	
MM6V8EA094	
MM6V8EA102	
MM6V8ER002	
MM6V8ER004	
MM6V8ER005	
MM6V8ER102	
MM6V8KA085	
MM6V8KA089	
MM6V8KA097	
MM6V8KAJ02	
MM6V8KAJ04	
MM6V8KAJ05	
MM6V8KAM02	
MM6V8KAR02	
MM6V8KAR89	
MM6V8KAT02	
MM6V8KAT04	
MM6V8KAT05	
MM6V8KAT94	
MM6V8KR089	
MM6V8KR097	

Code	Gültigkeit
MM6V8KR099	
MM6V8KRJ04	
MM6V8KRR02	
MM6V8KRT02	
MM6V8KRT04	
MM6V8KRT05	
MM6V8KRT94	
MM6VBEA002	
MM6VBEA004	
MM6VBEA005	
MM6VBER002	
MM6VBER004	
MM6VBER005	
MM6VBKAJ02	
MM6VBKAJ04	
MM6VBKAT02	
MM6VBKAT04	
MM6VBKAT05	
MM6VBKRJ04	
MM6VBKRT02	
MM6VBKRT04	
MM6VBKRT05	
MM6VKEA002	
MM6VKEA004	
MM6VKEA005	
MM6VKER002	
MM6VKER004	
MM6VKER005	
MM6VKKAJ02	
MM6VKKAJ04	
MM6VKKAJ05	
MM6VKKAM02	
MM6VKKAT02	
MM6VKKAT04	
MM6VKKAT05	
MM6VKKRJ04	
MM6VKKRT02	
MM6VKKRT04	
MM6VKKRT05	
MMMV0KAT04	
MMMV8KAT04	
MMMVBKAT04	
MQ6R0EA002	
MQ6R0EA004	
MQ6R0EA005	

Code	Gültigkeit
MQ6R0KA002	
MQ6R0KA004	
MQ6R0KA005	
MQ6R0KA094	
MQ6R0KA097	
MQ6R0KA099	
MQ6R0KA202	
MQ6R2EA002	
MQ6R2EA004	
MQ6R2EA005	
MQ6R2KA002	
MQ6R2KA004	
MQ6R2KA005	
MQ6R6EA002	
MQ6R6EA004	
MQ6R6EA005	
MQ6R6KA002	
MQ6R6KA004	
MQ6R6KA005	
MQ6R8EA002	
MQ6R8EA004	
MQ6R8EA005	
MQ6R8KA002	
MQ6R8KA004	
MQ6R8KA005	
MQ6R8KA094	
MQ6R8KA097	
MQ6R8KA099	
MQ6RBEA002	
MQ6RBEA004	
MQ6RBEA005	
MQ6RBKA002	
MQ6RBKA004	
MQ6RBKA005	
MQ6RKEA002	
MQ6RKEA004	
MQ6RKEA005	
MQ6RKKA002	
MQ6RKKA004	
MQ6RKKA005	
MQ6RMKA005	
MQ6V0EA002	
MQ6V0EA004	
MQ6V0EA005	
MQ6V0KA002	

Code	Gültigkeit
MQ6V0KA004	
MQ6V0KA005	
MQ6V0KA089	
MQ6V0KA094	
MQ6V0KA097	
MQ6V0KA098	
MQ6V0KA099	
MQ6V0KA202	
MQ6V0KAA04	
MQ6V0KAA05	
MQ6V2EA002	
MQ6V2EA004	
MQ6V2EA005	
MQ6V2KA002	
MQ6V2KA004	
MQ6V2KA005	
MQ6V2KAA05	
MQ6V6EA002	
MQ6V6EA004	
MQ6V6EA005	
MQ6V6KA002	
MQ6V6KA004	
MQ6V6KA005	
MQ6V6KAA04	
MQ6V8EA002	
MQ6V8EA004	
MQ6V8EA005	
MQ6V8KA002	
MQ6V8KA004	
MQ6V8KA005	
MQ6V8KA089	
MQ6V8KA094	
MQ6V8KA097	
MQ6V8KA098	
MQ6V8KA202	
MQ6V8KAA04	
MQ6V8KAA05	
MQ6VBEA002	
MQ6VBEA004	
MQ6VBEA005	
MQ6VBKA002	
MQ6VBKA004	
MQ6VBKA005	
MQ6VBKAA05	
MQ6VKEA002	

Code	Gültigkeit
MQ6VKEA004	
MQ6VKEA005	
MQ6VKKA002	
MQ6VKKA004	
MQ6VKKA005	
MQMV0EA004	
MQMV0KA004	
MQMV8EA004	
MQMV8KA004	
MQUR0KA089	
MQUR0KA385	
MQUR8KA089	
MQUR8KA385	
MT6R0EA001	
MT6R0EA004	
MT6R0EA005	
MT6R0EA101	
MT6R0ER001	
MT6R0ER004	
MT6R0ER005	
MT6R0ER101	
MT6R0KA004	
MT6R0KA005	
MT6R0KA094	
MT6R0KA097	
MT6R0KA099	
MT6R0KA197	
MT6R0KA301	
MT6R0KAA05	
MT6R0KAH01	
MT6R0KAV01	
MT6R0KR001	
MT6R0KR004	
MT6R0KR005	
MT6R0KR089	
MT6R0KR094	
MT6R0KR097	
MT6R0KR099	
MT6R0KR101	
MT6R0KRC01	
MT6R2EA001	
MT6R2EA004	
MT6R2EA005	
MT6R2ER001	
MT6R2ER004	

Code	Gültigkeit
MT6R2ER005	
MT6R2ER101	
MT6R2KA004	
MT6R2KA005	
MT6R2KA301	
MT6R2KAH01	
MT6R2KR001	
MT6R2KR004	
MT6R2KR005	
MT6R6EA001	
MT6R6EA004	
MT6R6EA005	
MT6R6ER001	
MT6R6ER004	
MT6R6ER005	
MT6R6KA004	
MT6R6KA005	
MT6R6KA301	
MT6R6KAH01	
MT6R6KR001	
MT6R6KR004	
MT6R6KR005	
MT6R8EA001	
MT6R8EA004	
MT6R8EA005	
MT6R8EA101	
MT6R8ER001	
MT6R8ER004	
MT6R8ER005	
MT6R8ER101	
MT6R8KA004	
MT6R8KA005	
MT6R8KA094	
MT6R8KA097	
MT6R8KA099	
MT6R8KA197	
MT6R8KA301	
MT6R8KAA05	
MT6R8KAH01	
MT6R8KR001	
MT6R8KR004	
MT6R8KR005	
MT6R8KR089	
MT6R8KR094	
MT6R8KR097	

Code	Gültigkeit
MT6R8KR099	
MT6R8KR101	
MT6R8KRC01	
MT6RBEA001	
MT6RBEA004	
MT6RBEA005	
MT6RBER001	
MT6RBER004	
MT6RBER005	
MT6RBKA004	
MT6RBKA005	
MT6RBKA301	
MT6RBKAH01	
MT6RBKR001	
MT6RBKR004	
MT6RBKR005	
MT6RKEA001	
MT6RKEA004	
MT6RKEA005	
MT6RKER001	
MT6RKER004	
MT6RKER005	
MT6RKKA004	
MT6RKKA005	
MT6RKKA301	
MT6RKKAH01	
MT6RKKAV01	
MT6RKKR001	
MT6RKKR004	
MT6RKKR005	
MT6V0EA001	
MT6V0EA004	
MT6V0EA005	
MT6V0EA101	
MT6V0ER001	
MT6V0ER004	
MT6V0ER005	
MT6V0ER101	
MT6V0KA004	
MT6V0KA005	
MT6V0KA089	
MT6V0KA094	
MT6V0KA097	
MT6V0KA099	
MT6V0KA301	

Code	Gültigkeit
MT6V0KAH01	
MT6V0KR001	
MT6V0KR004	
MT6V0KR005	
MT6V0KR101	
MT6V2EA001	
MT6V2EA004	
MT6V2EA005	
MT6V2ER001	
MT6V2ER004	
MT6V2ER005	
MT6V2KA004	
MT6V2KA005	
MT6V2KA301	
MT6V2KR001	
MT6V2KR004	
MT6V2KR005	
MT6V6EA001	
MT6V6EA004	
MT6V6EA005	
MT6V6ER001	
MT6V6ER004	
MT6V6ER005	
MT6V6KA004	
MT6V6KA005	
MT6V6KA301	
MT6V6KR001	
MT6V6KR004	
MT6V6KR005	
MT6V8EA001	
MT6V8EA004	
MT6V8EA005	
MT6V8EA101	
MT6V8ER001	
MT6V8ER004	
MT6V8ER005	
MT6V8ER101	
MT6V8KA004	
MT6V8KA005	
MT6V8KA089	
MT6V8KA094	
MT6V8KA097	
MT6V8KA099	
MT6V8KA301	
MT6V8KAH01	

Code	Gültigkeit
MT6V8KR001	
MT6V8KR004	
MT6V8KR005	
MT6V8KR101	
MT6VBEA001	
MT6VBEA004	
MT6VBEA005	
MT6VBER001	
MT6VBER004	
MT6VBER005	
MT6VBKA004	
MT6VBKA005	
MT6VBKA301	
MT6VBKR001	
MT6VBKR004	
MT6VBKR005	
MT6VKA097	
MT6VKEA001	
MT6VKEA004	
MT6VKEA005	
MT6VKER001	
MT6VKER004	
MT6VKER005	
MT6VKKA004	
MT6VKKA005	
MT6VKKA301	
MT6VKKR001	
MT6VKKR004	
MT6VKKR005	
MT6VKKR101	
MT6VMKA005	
MTMV0EA004	
MTMV0KA004	
MTMV8EA004	
MTMV8KA004	
MTMVKKA004	
MTUV0KA099	
MTUV8KA099	
MV6R0EA001	
MV6R0EA004	
MV6R0EA005	
MV6R0EA094	
MV6R0EA101	
MV6R0ER001	
MV6R0ER004	

Code	Gültigkeit
MV6R0ER005	
MV6R0ER101	
MV6R0KA004	
MV6R0KA005	
MV6R0KA089	
MV6R0KA097	
MV6R0KA099	
MV6R0KA301	
MV6R0KAH01	
MV6R0KR001	
MV6R0KR004	
MV6R0KR005	
MV6R0KR101	
MV6R0KRA04	
MV6R0KRD01	
MV6R2EA001	
MV6R2EA004	
MV6R2EA005	
MV6R2ER001	
MV6R2ER004	
MV6R2ER005	
MV6R2ER101	
MV6R2KA004	
MV6R2KA005	
MV6R2KA301	
MV6R2KR001	
MV6R2KR004	
MV6R2KR005	
MV6R6EA001	
MV6R6EA004	
MV6R6EA005	
MV6R6ER001	
MV6R6ER004	
MV6R6ER005	
MV6R6KA004	
MV6R6KA005	
MV6R6KA301	
MV6R6KR001	
MV6R6KR004	
MV6R6KR005	
MV6R8EA001	
MV6R8EA004	
MV6R8EA005	
MV6R8EA094	
MV6R8EA101	

Code	Gültigkeit
MV6R8ER001	
MV6R8ER004	
MV6R8ER005	
MV6R8ER101	
MV6R8KA004	
MV6R8KA005	
MV6R8KA089	
MV6R8KA097	
MV6R8KA099	
MV6R8KA301	
MV6R8KAH01	
MV6R8KR001	
MV6R8KR004	
MV6R8KR005	
MV6R8KR101	
MV6R8KRA04	
MV6R8KRD01	
MV6RBEA001	
MV6RBEA004	
MV6RBEA005	
MV6RBER001	
MV6RBER004	
MV6RBER005	
MV6RBKA004	
MV6RBKA005	
MV6RBKA301	
MV6RBKR001	
MV6RBKR004	
MV6RBKR005	
MV6RKEA001	
MV6RKEA004	
MV6RKEA005	
MV6RKER001	
MV6RKER004	
MV6RKER005	
MV6RKKA004	
MV6RKKA005	
MV6RKKA301	
MV6RKKR001	
MV6RKKR004	
MV6RKKR005	
MV6V0EA001	
MV6V0EA004	
MV6V0EA005	
MV6V0EA089	

Code	Gültigkeit
MV6V0EA094	
MV6V0EA101	
MV6V0ER001	
MV6V0ER004	
MV6V0ER005	
MV6V0ER101	
MV6V0ER185	
MV6V0KA004	
MV6V0KA005	
MV6V0KA097	
MV6V0KA301	
MV6V0KAA05	
MV6V0KAH01	
MV6V0KAV01	
MV6V0KR001	
MV6V0KR004	
MV6V0KR005	
MV6V0KR094	
MV6V0KR097	
MV6V0KR101	
MV6V2EA001	
MV6V2EA004	
MV6V2EA005	
MV6V2ER001	
MV6V2ER004	
MV6V2ER005	
MV6V2KA004	
MV6V2KA005	
MV6V2KA301	
MV6V2KAH01	
MV6V2KR001	
MV6V2KR004	
MV6V2KR005	
MV6V6EA001	
MV6V6EA004	
MV6V6EA005	
MV6V6ER001	
MV6V6ER004	
MV6V6ER005	
MV6V6KA004	
MV6V6KA005	
MV6V6KA301	
MV6V6KAH01	
MV6V6KAV01	
MV6V6KR001	

Code	Gültigkeit
MV6V6KR004	
MV6V6KR005	
MV6V8EA001	
MV6V8EA004	
MV6V8EA005	
MV6V8EA089	
MV6V8EA094	
MV6V8EA101	
MV6V8ER001	
MV6V8ER004	
MV6V8ER005	
MV6V8ER101	
MV6V8KA004	
MV6V8KA005	
MV6V8KA097	
MV6V8KA301	
MV6V8KAA05	
MV6V8KAH01	
MV6V8KAV01	
MV6V8KR001	
MV6V8KR004	
MV6V8KR005	
MV6V8KR094	
MV6V8KR097	
MV6V8KR101	
MV6VBEA001	
MV6VBEA004	
MV6VBEA005	
MV6VBEA101	
MV6VBER001	
MV6VBER004	
MV6VBER005	
MV6VBER185	
MV6VBKA004	
MV6VBKA005	
MV6VBKA301	
MV6VBKAH01	
MV6VBKR001	
MV6VBKR004	
MV6VBKR005	
MV6VKEA001	
MV6VKEA004	
MV6VKEA005	
MV6VKER001	
MV6VKER004	

Code	Gültigkeit
MV6VKER005	
MV6VKA004	
MV6VKA005	
MV6VKA301	
MV6VKAH01	
MV6VKKR001	
MV6VKKR004	
MV6VKKR005	
MVMVOKA004	
MVUR0EA085	
MVUR0EA185	
MVUR6EA185	
MVUR8EA189	
MX6R0EA001	
MX6R0EA004	
MX6R0EA005	
MX6R0EA101	
MX6R0ER001	
MX6R0ER004	
MX6R0ER005	
MX6R0ER101	
MX6R0ES001	
MX6R0ES004	
MX6R0ES005	
MX6R0ES101	
MX6R0KA097	
MX6R0KA301	
MX6R0KA304	
MX6R0KA305	
MX6R0KA394	
MX6R0KAE01	
MX6R0KAH01	
MX6R0KAY01	
MX6R0KAY04	
MX6R0KAY05	
MX6R0KR097	
MX6R0KR099	
MX6R0KR301	
MX6R0KR304	
MX6R0KR305	
MX6R0KR394	
MX6R0KRH01	
MX6R0KRY04	
MX6R0KS097	
MX6R0KS099	

Code	Gültigkeit
MX6R0KS301	
MX6R0KS304	
MX6R0KS305	
MX6R0KS394	
MX6R0KSH01	
MX6R0L2004	
MX6R0L2089	
MX6R2EA001	
MX6R2EA004	
MX6R2EA005	
MX6R2ER001	
MX6R2ER004	
MX6R2ER005	
MX6R2ES001	
MX6R2ES004	
MX6R2ES005	
MX6R2KA301	
MX6R2KA304	
MX6R2KA305	
MX6R2KAY04	
MX6R2KR301	
MX6R2KR304	
MX6R2KR305	
MX6R2KRY04	
MX6R2KS301	
MX6R2KS304	
MX6R2KS305	
MX6R6EA001	
MX6R6EA004	
MX6R6EA005	
MX6R6ER001	
MX6R6ER004	
MX6R6ER005	
MX6R6ES001	
MX6R6ES004	
MX6R6ES005	
MX6R6KA301	
MX6R6KA304	
MX6R6KA305	
MX6R6KAY04	
MX6R6KR301	
MX6R6KR304	
MX6R6KR305	
MX6R6KRY04	
MX6R6KS301	

Code	Gültigkeit
MX6R6KS304	
MX6R6KS305	
MX6R8EA001	
MX6R8EA004	
MX6R8EA005	
MX6R8EA101	
MX6R8ER001	
MX6R8ER004	
MX6R8ER005	
MX6R8ER101	
MX6R8ES001	
MX6R8ES004	
MX6R8ES005	
MX6R8ES101	
MX6R8KA097	
MX6R8KA301	
MX6R8KA304	
MX6R8KA305	
MX6R8KA394	
MX6R8KAE01	
MX6R8KAH01	
MX6R8KAY01	
MX6R8KAY04	
MX6R8KAY05	
MX6R8KR097	
MX6R8KR099	
MX6R8KR301	
MX6R8KR304	
MX6R8KR305	
MX6R8KR394	
MX6R8KRH01	
MX6R8KRY04	
MX6R8KS097	
MX6R8KS099	
MX6R8KS301	
MX6R8KS304	
MX6R8KS305	
MX6R8KS394	
MX6R8KSH01	
MX6RBEA001	
MX6RBEA004	
MX6RBEA005	
MX6RBER001	
MX6RBER004	
MX6RBER005	

Code	Gültigkeit
MX6RBES001	
MX6RBES004	
MX6RBES005	
MX6RBKA301	
MX6RBKA304	
MX6RBKA305	
MX6RBKAY04	
MX6RBKR301	
MX6RBKR304	
MX6RBKR305	
MX6RBKRY04	
MX6RBKS301	
MX6RBKS304	
MX6RBKS305	
MX6RKEA001	
MX6RKEA004	
MX6RKEA005	
MX6RKER001	
MX6RKER004	
MX6RKER005	
MX6RKES001	
MX6RKES004	
MX6RKES005	
MX6RKKA301	
MX6RKKA304	
MX6RKKA305	
MX6RKKAY04	
MX6RKKR301	
MX6RKKR304	
MX6RKKR305	
MX6RKKRY04	
MX6RKKKS301	
MX6RKKKS304	
MX6RKKKS305	
MX6RMKA305	
MX6V0EA001	
MX6V0EA004	
MX6V0EA005	
MX6V0EA094	
MX6V0EA101	
MX6V0ER001	
MX6V0ER004	
MX6V0ER005	
MX6V0ER101	
MX6V0ES001	

Code	Gültigkeit
MX6V0ES004	
MX6V0ES005	
MX6V0ES101	
MX6V0KA089	
MX6V0KA097	
MX6V0KA301	
MX6V0KA304	
MX6V0KA305	
MX6V0KA394	
MX6V0KAH01	
MX6V0KAH04	
MX6V0KAH89	
MX6V0KAL01	
MX6V0KAV01	
MX6V0KAY01	
MX6V0KAY04	
MX6V0KR089	
MX6V0KR097	
MX6V0KR099	
MX6V0KR301	
MX6V0KR304	
MX6V0KR305	
MX6V0KR394	
MX6V0KRH01	
MX6V0KRY01	
MX6V0KRY04	
MX6V0KS089	
MX6V0KS097	
MX6V0KS099	
MX6V0KS301	
MX6V0KS304	
MX6V0KS305	
MX6V0KS394	
MX6V0KSH01	
MX6V2EA001	
MX6V2EA004	
MX6V2EA005	
MX6V2ER001	
MX6V2ER004	
MX6V2ER005	
MX6V2ES001	
MX6V2ES004	
MX6V2ES005	
MX6V2KA301	
MX6V2KA304	

Code	Gültigkeit
MX6V2KA305	
MX6V2KAY04	
MX6V2KR301	
MX6V2KR304	
MX6V2KR305	
MX6V2KRY04	
MX6V2KS301	
MX6V2KS304	
MX6V2KS305	
MX6V6EA001	
MX6V6EA004	
MX6V6EA005	
MX6V6ER001	
MX6V6ER004	
MX6V6ER005	
MX6V6ES001	
MX6V6ES004	
MX6V6ES005	
MX6V6KA301	
MX6V6KA304	
MX6V6KA305	
MX6V6KAY04	
MX6V6KR301	
MX6V6KR304	
MX6V6KR305	
MX6V6KRY04	
MX6V6KS301	
MX6V6KS304	
MX6V6KS305	
MX6V8EA001	
MX6V8EA004	
MX6V8EA005	
MX6V8EA094	
MX6V8EA101	
MX6V8ER001	
MX6V8ER004	
MX6V8ER005	
MX6V8ER101	
MX6V8ES001	
MX6V8ES004	
MX6V8ES005	
MX6V8ES101	
MX6V8KA089	
MX6V8KA097	
MX6V8KA301	

Code	Gültigkeit
MX6V8KA304	
MX6V8KA305	
MX6V8KA394	
MX6V8KAH01	
MX6V8KAH89	
MX6V8KAL01	
MX6V8KAV01	
MX6V8KAY01	
MX6V8KAY04	
MX6V8KR089	
MX6V8KR097	
MX6V8KR099	
MX6V8KR301	
MX6V8KR304	
MX6V8KR305	
MX6V8KR394	
MX6V8KRH01	
MX6V8KRY01	
MX6V8KRY04	
MX6V8KS089	
MX6V8KS097	
MX6V8KS099	
MX6V8KS301	
MX6V8KS304	
MX6V8KS305	
MX6V8KS394	
MX6V8KSH01	
MX6VBEA001	
MX6VBEA004	
MX6VBEA005	
MX6VBEA101	
MX6VBER001	
MX6VBER004	
MX6VBER005	
MX6VBES001	
MX6VBES004	
MX6VBES005	
MX6VBKA301	
MX6VBKA304	
MX6VBKA305	
MX6VBKAY04	
MX6VBKR301	
MX6VBKR304	
MX6VBKR305	
MX6VBKRY04	

Code	Gültigkeit
MX6VBKS301	
MX6VBKS304	
MX6VBKS305	
MX6VJER001	
MX6VJKAV01	
MX6VKEA001	
MX6VKEA004	
MX6VKEA005	
MX6VKER001	
MX6VKER004	
MX6VKER005	
MX6VKES001	
MX6VKES004	
MX6VKES005	
MX6VKKA301	
MX6VKKA304	
MX6VKKA305	
MX6VKKAY04	
MX6VKKR301	
MX6VKKR304	
MX6VKKR305	
MX6VKKRY04	
MX6VKKKS301	
MX6VKKKS304	
MX6VKKKS305	
MX6VMKA301	
MXMV0KA304	
MXMV8KA304	
MXUR8EA089	
MXUR8EC089	
MXUV0KS385	
MXUV8KS385	
NF6R0ES002	
NF6R0ES004	
NF6R0ES005	
NF6R0ES102	
NF6R0KS099	
NF6R0KS302	
NF6R0KS304	
NF6R0KS305	
NF6R0KSH02	
NF6R2ES002	
NF6R2ES004	
NF6R2ES005	
NF6R2KS302	

Code	Gültigkeit
NF6R2KS304	
NF6R2KS305	
NF6R6ES002	
NF6R6ES004	
NF6R6ES005	
NF6R6KS302	
NF6R6KS304	
NF6R6KS305	
NF6R8ES002	
NF6R8ES004	
NF6R8ES005	
NF6R8ES102	
NF6R8KS099	
NF6R8KS302	
NF6R8KS304	
NF6R8KS305	
NF6R8KSH02	
NF6RBES002	
NF6RBES004	
NF6RBES005	
NF6RBKS302	
NF6RBKS304	
NF6RBKS305	
NF6RKES002	
NF6RKES004	
NF6RKES005	
NF6RKKS302	
NF6RKKS304	
NF6RKKS305	
NF6V0ES002	
NF6V0ES004	
NF6V0ES005	
NF6V0ES102	
NF6V0KS099	
NF6V0KS302	
NF6V0KS304	
NF6V0KS305	
NF6V0KS394	
NF6V0KSH02	
NF6V2ES002	
NF6V2ES004	
NF6V2ES005	
NF6V2KS302	
NF6V2KS304	
NF6V2KS305	

Code	Gültigkeit
NF6V6ES002	
NF6V6ES004	
NF6V6ES005	
NF6V6KS302	
NF6V6KS304	
NF6V6KS305	
NF6V8ES002	
NF6V8ES004	
NF6V8ES005	
NF6V8ES102	
NF6V8KS097	
NF6V8KS099	
NF6V8KS302	
NF6V8KS304	
NF6V8KS305	
NF6V8KS394	
NF6V8KSH02	
NF6VBES002	
NF6VBES004	
NF6VBES005	
NF6VBKS302	
NF6VBKS304	
NF6VBKS305	
NF6VKES002	
NF6VKES004	
NF6VKES005	
NF6VKKS302	
NF6VKKS304	
NF6VKKS305	
NX6R0ES001	
NX6R0ES004	
NX6R0ES005	
NX6R0ES101	
NX6R0KA304	
NX6R0KS097	
NX6R0KS099	
NX6R0KS301	
NX6R0KS304	
NX6R0KS305	
NX6R0KS394	
NX6R0KSH01	
NX6R2ES001	
NX6R2ES004	
NX6R2ES005	
NX6R2KS301	

Code	Gültigkeit
NX6R2KS304	
NX6R2KS305	
NX6R6ES001	
NX6R6ES004	
NX6R6ES005	
NX6R6KS301	
NX6R6KS304	
NX6R6KS305	
NX6R8ES001	
NX6R8ES004	
NX6R8ES005	
NX6R8ES101	
NX6R8KS097	
NX6R8KS099	
NX6R8KS304	
NX6R8KS305	
NX6R8KS394	
NX6R8KSH01	
NX6RBES001	
NX6RBES004	
NX6RBES005	
NX6RBKS301	
NX6RBKS304	
NX6RBKS305	
NX6RJES001	
NX6RKES001	
NX6RKES004	
NX6RKES005	
NX6RKKS301	
NX6RKKS304	
NX6RKKS305	
NX6V0ES001	
NX6V0ES004	
NX6V0ES005	
NX6V0ES101	
NX6V0KS097	
NX6V0KS099	
NX6V0KS301	
NX6V0KS304	
NX6V0KS305	
NX6V0KS394	
NX6V0KSH01	
NX6V2ES001	
NX6V2ES004	
NX6V2ES005	

Code	Gültigkeit
NX6V2KS301	
NX6V2KS304	
NX6V2KS305	
NX6V6ES001	
NX6V6ES004	
NX6V6ES005	
NX6V6KS301	
NX6V6KS304	
NX6V6KS305	
NX6V8ES001	
NX6V8ES004	
NX6V8ES005	
NX6V8ES101	
NX6V8KS097	
NX6V8KS099	
NX6V8KS301	
NX6V8KS304	
NX6V8KS305	
NX6V8KS394	
NX6V8KSH01	
NX6VBES001	
NX6VBES004	
NX6VBES005	
NX6VBKS301	
NX6VBKS304	
NX6VBKS305	
NX6VJES001	
NX6VKES001	
NX6VKES004	
NX6VKES005	
NX6VKKS301	
NX6VKKS304	
NX6VKKS305	

Code	Nr. der Tafel	Pos.	Code	Nr. der Tafel	Pos.	Code	Nr. der Tafel	Pos.
	02.38	42	013861	09.02	8	020206	08.03	45
	02.39	27	013861	09.02	9	021110	08.04	16
002383	02.20	19	013880	02.13	17	021110	08.05	16
002418	09.02	10	015578	09.01	27	021110	08.06	16
002440	08.02	18	015859	03.02	15	021110	09.01	22
002440	08.02	23	015859	03.04	7	021110	09.02	44
002440	08.04	23	015861	09.02	7	021216	03.08	9
002440	08.05	23	015900	02.13	6	030052	01.38	36
002440	08.06	23	015994	06.13	4	030052	04.04	16
002440	09.01	30	016345	02.21	47	030052	05.02	27
002440	09.01	34	016404	02.38	13	030052	05.03	26
002440	09.02	49	016404	02.39	11	030052	08.04	20
002440	09.02	61	016405	02.23	19	030052	08.05	20
003038	08.02	12	016405	02.38	16	030052	08.06	20
003038	08.02	14	016405	02.39	16	030052	09.01	26
0030404	02.20	5	016406	01.38	37	030052	09.02	53
0030404	09.01	5	016406	02.17	38	030072	02.20	22
003055	02.23	18	016406	02.31	5	030077	02.20	17
003055	08.02	28	016406	04.04	20	030082	03.06	3
003056	08.03	4	016406	05.02	29	030098	08.04	21
003056	09.03	14	016406	08.04	19	030098	08.05	21
003058	01.38	35	016406	08.05	19	030098	08.06	21
003058	02.17	51	016406	08.06	19	030098	09.02	45
003058	02.21	41	016406	09.01	25	030109	09.01	8
003058	02.23	29	016406	09.02	36	030109	09.02	14
003060	02.23	33	016406	09.02	39	030113	02.20	4
003060	08.02	16	016406	09.02	52	030113	02.23	2
003060	08.02	17	016408	01.38	34	031027	02.38	12
003060	08.02	21	016408	02.20	20	031027	02.39	10
003060	08.02	33	016408	02.22	9	031056	02.38	5
003060	08.04	15	016408	02.23	30	031056	02.39	8
003060	08.05	15	016408	02.33	19	031057	08.05	24
003060	08.06	15	016408	02.33	8	031086	05.02	32
003060	09.01	10	016408	05.08	17	031086	05.03	39
003060	09.01	21	016408	08.02	11	031088	08.03	5
003060	09.01	28	016408	08.02	32	031088	09.03	15
003060	09.01	33	016408	08.06	26	031089	02.17	40
003060	09.02	16	016408	08.06	47	031089	02.31	4
003060	09.02	43	016410	02.06	18	031089	06.06	11
003060	09.02	46	016410	02.06	24	031090	04.04	17
003060	09.02	48	016410	02.20	6	031090	09.01	40
003060	09.02	59	016410	02.23	5	031090	09.02	38
003060	09.02	60	016410	08.04	14	031115	02.23	10
003208	05.08	27	016410	08.05	14	031118	08.02	10
005964	05.09	8	016410	08.06	14	031118	08.02	31
006032	03.06	4	016410	09.01	20	031119	05.08	28
006175	06.12	15	016410	09.01	9	031120	02.22	8
006968	06.12	21	016410	09.02	15	031120	08.06	25
006968	06.12	7	016410	09.02	42	031120	08.06	46
006976	05.02	33	016627	02.06	17	031121	01.38	33
006976	05.03	22	016627	02.06	23	031153	02.23	9
009000	06.01	17	016667	05.02	30	031157	08.04	24
012778	02.23	16	016667	05.03	29	031157	08.06	24
013754	06.06	7	016673	01.38	38	031157	09.01	32
013776	08.02	8	018508	02.21	55	031157	09.02	58
013776	08.05	26	018536	06.13	3	031159	08.02	15
013776	08.06	27	018575	06.01	11	031159	08.02	20
013776	09.02	32	018592	02.21	46	0441387201000	01.25	15
013777	02.17	39	020008	02.19	12	0911387201000	04.07	11
013777	02.31	6	020105	02.23	20	0915187203000	04.07	12
013777	04.04	21	020106	08.04	27	0915587204000	04.07	13
013777	08.04	18	020106	09.01	18	098698	02.26	12
013777	08.05	18	020106	09.01	42	118020	02.20	3
013777	09.01	24	020106	09.02	37	118020	02.23	4
013777	09.01	41	020108	02.20	21	1180224	02.20	2
013777	09.02	40	020110	02.20	7	1180234	02.23	3
013777	09.02	51	020110	02.23	6	118563	02.23	11

Code	Nr. der Tafel	Pos.	Code	Nr. der Tafel	Pos.	Code	Nr. der Tafel	Pos.
118745	02.23	15	1A005493	01.07	6	1A005576	01.16	25
145298	02.45	18	1A005494	01.07	7	1A005577	01.16	26
145298	06.09	5	1A005495	01.07	8	1A005578	01.16	8
160654	06.03	2	1A005496	01.08	1	1A005579	01.16	14
1618587Z02000	02.43	4	1A005498	01.08	30	1A005580	01.16	15
1633787Z07000	02.44	3	1A005499	01.08	9	1A005581	01.16	16
1756787Z03000	01.37	9	1A005500	01.08	10	1A005581	01.16	19
1787987Z03000	01.38	13	1A005501	01.08	13	1A005581	01.33	9
1787987Z04000	01.38	12	1A005502	01.08	11	1A005582	01.16	9
1787987Z05000	01.38	11	1A005503	01.08	12	1A005583	01.16	21
180678	01.38	24	1A005504	01.08	14	1A005584	01.16	23
180678	01.38	6	1A005505	01.08	15	1A005585	01.16	22
181351	03.04	11	1A005507	01.10	1	1A005586	01.16	17
190517	02.18	30	1A005510	01.08	3	1A005587	01.16	18
191002	01.25	47	1A005511	01.08	2	1A005588	01.16	20
191002	05.06	23	1A005512	01.08	7	1A005589	01.16	27
191002	06.09	23	1A005513	01.08	8	1A005590	01.16	30
196750	05.08	24	1A005514	01.08	6	1A005591	01.16	29
196750	06.01	21	1A005515	01.08	4	1A005592	01.16	28
1A003083	02.47	27	1A005516	01.08	5	1A005593	01.16	24
1A003094	01.10	2	1A005518	01.08	20	1A005608	01.06	23
1A003095	01.33	14	1A005520	01.08	27	1A005609	01.06	24
1A003247	02.47	33	1A005521	01.08	26	1A005610	01.21	1
1A003790	01.01	1	1A005522	01.08	23	1A005611	01.06	12
1A003802	02.47	26	1A005523	01.08	24	1A005612	01.06	13
1A003837	01.26	29	1A005523	01.33	4	1A005613	01.06	22
1A004402	02.47	28	1A005524	01.10	4	1A005614	01.06	17
1A004871	02.38	33	1A005525	01.10	6	1A005615	01.06	20
1A004871	02.39	22	1A005526	01.10	5	1A005616	01.32	1
1A005148	01.04	19	1A005527	01.06	14	1A005617	02.39	40
1A005149	01.04	20	1A005527	01.08	19	1A005619	01.33	1
1A005159	01.04	17	1A005528	01.08	17	1A005620	01.33	7
1A005160	01.04	10	1A005532	01.08	18	1A005621	01.33	8
1A005161	01.27	9	1A005533	01.10	3	1A005622	01.32	4
1A005162	01.30	1	1A005534	01.08	22	1A005623	01.32	3
1A005168	01.26	14	1A005536	01.14	1	1A005624	01.33	2
1A005177	01.06	16	1A005537	01.14	4	1A005625	01.33	15
1A005465	02.06	10	1A005538	01.14	8	1A005625	01.33	20
1A005466	01.16	13	1A005539	01.14	2	1A005626	01.33	16
1A005466	01.32	2	1A005539	01.33	3	1A005627	01.33	12
1A005469	01.26	26	1A005540	01.14	3	1A005629	01.33	13
1A005473	01.26	28	1A005541	01.14	10	1A005630	01.33	18
1A005474	01.26	27	1A005542	01.14	7	1A005631	01.33	19
1A005475	01.06	1	1A005543	01.14	18	1A005632	01.33	27
1A005476	01.06	2	1A005544	01.14	14	1A005633	01.04	15
1A005477	01.06	3	1A005545	01.14	15	1A005634	01.33	23
1A005477	01.08	28	1A005546	01.14	19	1A005635	01.33	21
1A005478	01.21	2	1A005548	01.14	17	1A005636	01.33	31
1A005479	01.04	14	1A005549	01.14	16	1A005638	01.33	29
1A005479	01.06	10	1A005552	01.04	7	1A005639	01.33	25
1A005479	01.06	8	1A005553	01.04	6	1A005640	01.33	26
1A005480	01.06	7	1A005554	01.04	8	1A005641	01.33	24
1A005481	01.06	6	1A005555	01.04	5	1A005642	01.33	32
1A005482	01.06	5	1A005556	01.04	9	1A005643	01.33	34
1A005482	01.08	25	1A005557	01.07	2	1A005644	06.05	3
1A005482	01.14	6	1A005558	01.07	1	1A005645	06.05	4
1A005482	01.33	6	1A005559	01.04	18	1A005653	01.33	33
1A005483	01.06	11	1A005560	01.04	21	1A005654	01.04	2
1A005484	01.04	11	1A005569	01.04	16	1A005655	01.04	1
1A005485	01.04	12	1A005570	01.16	6	1A005656	01.04	3
1A005486	01.06	4	1A005571	01.16	7	1A005657	01.04	4
1A005487	01.33	30	1A005571	01.33	11	1A005658	01.19	1
1A005488	01.08	29	1A005572	01.16	5	1A005659	01.19	3
1A005489	01.08	21	1A005572	01.33	10	1A005660	01.19	5
1A005490	01.07	5	1A005573	01.16	1	1A005663	01.17	2
1A005491	01.07	4	1A005574	01.16	3	1A005664	01.19	9
1A005492	01.07	3	1A005575	01.16	2	1A005665	01.17	3

Code	Nr. der Tafel	Pos.	Code	Nr. der Tafel	Pos.	Code	Nr. der Tafel	Pos.
1A005666	01.17	1	1D000790	06.07	3	1E000862	02.06	20
1A005667	01.17	4	1D000797	06.07	15	1E0008705	01.37	2
1A005723	01.26	1	1D000808	06.08	1	1E000882	01.25	2
1A005724	01.26	5	1D000810	06.08	2	1E000883	01.25	1
1A005725	01.26	9	1D000811	06.08	3	1E000890	05.03	16
1A005730	01.26	18	1D000812	06.07	1	1E000900	05.03	8
1A005732	01.26	20	1D000816	03.02	18	1E000903	05.03	7
1A005733	01.26	19	1D000930	02.47	48	1E000906	05.03	10
1A005734	01.26	2	1D000942	06.04	7	1E000909	05.03	6
1A005735	01.26	10	1D000943	06.04	7	1E000910	05.02	21
1A005736	01.26	17	1D000945	06.08	6	1E000913	05.03	11
1A005740	01.26	12	1D000970	06.06	1	1E000916	05.03	47
1A005741	01.26	25	1D001010	03.06	33	1E000969	05.01	1
1A005742	01.26	7	1D001075	06.01	20	1E000976	05.03	28
1A005744	01.26	13	1D001120	03.06	34	1E000977	05.03	27
1A005750	01.27	21	1D001190	06.04	29	1E000991	02.38	39
1A005754	01.27	24	1D001191	02.37	10	1E000995	02.47	23
1A005755	01.27	26	1D001191	03.08	14	1E000998	02.45	1
1A005757	01.27	25	1D001216	01.33	28	1E001000	02.45	5
1A005761	01.27	44	1D001216	01.37	10	1E001016	02.45	19
1A005762	01.27	40	1D001294	06.04	28	1E001017	02.45	20
1A005763	01.27	50	1D001304	06.08	7	1E0010535	02.04	11
1A005764	01.27	52	1D001352	01.06	9	1E0010545	02.04	12
1A005765	01.27	3	1D001539	06.08	8	1E001059	05.03	14
1A005771	01.27	4	1D001574	06.01	22	1E001060	05.03	23
1A005772	01.27	29	1D001575	06.01	23	1E001061	05.03	42
1A005772	01.27	43	1D001592	06.13	18	1E001062	05.01	14
1A005773	01.27	42	1D001593	06.13	22	1E001063	05.01	15
1A005774	01.27	41	1D001594	06.13	17	1E001087	05.03	41
1A005775	01.27	32	1D001627	06.08	1	1E001096	02.30	1
1A005776	01.27	31	1D001633	06.08	4	1E001096	02.30	28
1A005777	01.27	30	1D001651	06.01	25	1E001098	02.30	30
1A005780	01.30	3	1D001682	06.13	13	1E0011015	02.11	1
1A005781	01.30	6	1D001692	06.08	7	1E001118	02.06	14
1A005782	01.30	5	1D001973	06.08	1	1E001131	02.47	24
1A005788	01.28	24	1D001974	06.08	2	1E001140	06.06	2
1A005789	01.28	4	1D001975	06.08	3	1E001147	02.38	40
1A005790	01.28	27	1D001976	06.07	1	1E001147	02.38	43
1A005791	01.28	26	1D001979	06.08	3	1E001147	02.39	42
1A005792	01.28	25	1D002025	06.01	26	1E001149	02.39	28
1A005793	01.28	3	1D002615	02.39	9	1E0011545	02.02	39
1A005794	01.28	5	1D002616	02.38	11	1E0011555	02.04	1
1A005795	01.28	21	1E0000185	02.02	1	1E001159	06.06	9
1A005796	01.28	10	1E000090	02.44	6	1E0011845	02.25	1
1A005797	01.28	9	1E000090	02.47	2	1E001186	06.12	27
1A005798	01.28	15	1E000091	02.44	4	1E001188	06.12	35
1A005799	01.28	7	1E000091	02.47	3	1E001206	06.06	8
1A005800	01.28	1	1E000176	02.47	1	1E001212	03.06	6
1A005801	01.28	19	1E000304	02.43	5	1E001222	05.08	1
1A005803	01.28	2	1E0003545	02.04	21	1E0012295	02.29	1
1A005804	01.28	14	1E000355	02.04	6	1E001286	02.33	27
1A006490	08.03	1	1E000359	06.08	4	1E0012925	01.37	2
1A006490	09.03	12	1E000405	01.38	7	1E001294	03.06	11
1A006838	08.03	6	1E000406	01.38	8	1E001311	02.27	1
1A006838	09.03	16	1E000407	01.38	22	1E001312	02.27	1
1A006881	08.03	35	1E000415	01.38	26	1E001314	05.01	4
1A006881	09.03	19	1E000543	01.38	10	1E001315	05.01	3
1A006882	08.03	36	1E000546	01.29	18	1E0013445	02.03	13
1A006882	09.03	20	1E000550	02.43	13	1E0013475	02.03	44
1A006883	08.03	37	1E000607	02.43	9	1E001368	08.04	1
1A006883	09.03	21	1E000608	02.43	11	1E001368	08.05	1
1A012100	06.06	3	1E000609	02.43	17	1E001368	08.06	1
1A017304	01.16	32	1E000612	02.43	19	1E001399	02.35	9
1D000720	06.06	3	1E000613	02.43	20	1E001400	02.35	10
1D000736	06.13	1	1E000614	02.45	30	1E001420	02.39	34
1D000776	06.02	26	1E000767R	04.03	1	1E001428	02.38	10
1D000790	06.02	27	1E000768R	04.03	2	1E001432	02.38	31

Code	Nr. der Tafel	Pos.	Code	Nr. der Tafel	Pos.	Code	Nr. der Tafel	Pos.
1E001432	02.39	31	1E001725	08.03	23	1E001951	08.06	32
1E001442	05.03	17	1E001726	08.03	19	1E0019675	02.02	18
1E001446	05.06	19	1E001728	08.03	26	1E001973	08.04	10
1E001456	01.38	30	1E001732	09.03	2	1E001976	09.02	19
1E001461	01.38	28	1E001733	08.03	16	1E001977	09.02	21
1E001466	02.38	32	1E001734	08.03	10	1E001978	09.02	3
1E001466	02.39	32	1E0017495	02.18	1	1E001980	09.02	20
1E001467	02.38	35	1E001752	09.03	6	1E001982	08.03	24
1E001467	02.39	39	1E001753	08.03	28	1E001989	02.03	34
1E001469	01.29	19	1E0017585	02.29	1	1E001990	02.03	35
1E001470	01.29	13	1E0017595	02.29	1	1E0019916	02.09	2
1E001475	02.39	35	1E0017615	02.02	14	1E0019925	02.09	1
1E001479	02.38	38	1E0017625	02.02	18	1E0019935	02.09	6
1E001509	02.32	11	1E001763	02.02	16	1E0019945	02.09	5
1E001510	02.32	10	1E001764	02.02	21	1E001995	02.17	49
1E0015145	02.18	2	1E001766	09.03	1	1E002149	02.07	34
1E001516	05.06	20	1E001799	09.03	11	1E002150	02.07	36
1E001517	05.01	16	1E001800	09.03	9	1E002151	02.07	31
1E001520	02.37	1	1E001804	09.03	5	1E002152	02.07	29
1E001521	02.37	12	1E001806	08.03	13	1E0021635	02.09	4
1E001523	02.37	3	1E001828	08.05	10	1E0021655	02.09	8
1E001523	03.08	13	1E001828	08.06	10	1E0021665	02.09	3
1E001524	03.02	13	1E001830	08.05	11	1E0021675	02.09	7
1E001531	02.37	5	1E001831	08.06	11	1E002169	02.03	34
1E001532	02.47	7	1E001836	08.04	36	1E0021715	02.03	35
1E001533	02.47	11	1E001836	08.05	36	1E002187	02.21	61
1E001535	02.33	11	1E001836	08.06	36	1E002188	02.21	15
1E001536	02.33	14	1E001838	08.04	11	1E002193	02.17	11
1E001537	02.33	15	1E0018475	02.18	12	1E002205	02.17	48
1E001538	02.34	1	1E001848	08.03	14	1E002206	02.17	50
1E001540	02.33	1	1E001851	08.04	28	1E002207	02.17	8
1E001541	02.33	4	1E001851	08.05	28	1E002209	09.01	49
1E001542	02.47	9	1E001852	08.06	29	1E002209	09.02	25
1E001544	02.43	13	1E001853	08.02	43	1E002211	09.03	22
1E001547	02.47	38	1E001855	08.06	28	1E002213	08.02	38
1E001548	02.47	37	1E001857	08.04	29	1E002221	09.01	48
1E001549	02.47	41	1E001857	08.05	29	1E002222	09.01	46
1E001551	02.07	14	1E001863	08.03	12	1E002223	09.01	43
1E001552	02.07	15	1E001863	08.03	17	1E002224	09.01	45
1E001553	02.09	15	1E001863	08.03	9	1E002244	05.02	34
1E001554	02.09	17	1E001863	09.03	4	1E002244	05.03	19
1E001561	02.08	12	1E001864	08.06	45	1E002250	09.03	8
1E0015625	02.02	25	1E001865	08.02	40	1E002251	09.03	10
1E001563	02.06	26	1E001865	08.04	37	1E002256	09.01	15
1E001568	05.01	10	1E001865	08.05	37	1E002258	09.02	29
1E001569	02.38	26	1E001865	08.06	37	1E002259	09.01	14
1E001570	02.38	27	1E001868	08.03	32	1E002261	09.02	28
1E001571	02.38	28	1E001868	08.03	40	1E0022645	02.04	2
1E001591	02.06	12	1E001869	02.39	31	1E002295	02.21	2
1E001596	05.09	11	1E001870	02.39	32	1E002296	02.21	1
1E001598	02.47	40	1E0018735	02.18	57	1E002423	02.23	38
1E0016105	02.25	19	1E0018745	02.29	1	1E002476	05.06	1
1E001612	02.06	7	1E001876	02.38	32	1E002505	03.02	21
1E001615	02.47	34	1E001877	02.38	31	1E002510	05.02	34
1E001619	02.32	8	1E0018785	02.29	1	1E002510	05.03	19
1E001621	02.32	8	1E001882	08.03	44	1E002710	02.04	6
1E001622	02.32	8	1E001884	02.38	33	1E0027395	02.02	22
1E001626	05.09	1	1E001884	02.39	22	1E0031765	01.37	2
1E001631	02.37	2	1E001885	02.29	1	1E0032295	02.39	1
1E001649	02.06	1	1E0018895	02.29	1	1E0032305	02.38	1
1E0016625	02.29	1	1E001903	08.03	33	1E003250	04.06	3
1E001670	08.03	46	1E001914	08.03	42	1E003250	04.07	18
1E001671	08.03	47	1E001917	08.02	35	1E003412	02.32	12
1E001697	02.32	9	1E001918	08.02	9	1E003413	02.32	13
1E0017065	02.02	6	1E001951	08.02	36	1E003414	02.32	14
1E001721	02.43	27	1E001951	08.04	32	1F000080	02.06	9
1E001724	08.03	18	1E001951	08.05	32	1F000081	01.16	10

Code	Nr. der Tafel	Pos.	Code	Nr. der Tafel	Pos.	Code	Nr. der Tafel	Pos.
1F000082	01.06	18	263214	02.21	56	4351287202000	04.04	4
1F000083	01.33	17	2632315	02.03	21	4476287202000	05.01	12
1F000084	01.19	2	2632325	02.03	23	4737187201000	05.04	7
1F000320	08.03	29	263544	02.21	57	4737187202000	05.04	6
1F000320	08.03	38	263547	02.21	53	4738287201000	02.29	13
1F000321	08.03	30	263548	02.21	54	4744687201000	05.07	12
1R000089	08.03	34	263695	02.43	6	4770387201000	05.02	42
1R000314	02.45	31	263740	06.04	23	4770387201000	05.03	36
1R000330	01.27	15	263750	06.04	22	4770487201000	05.02	43
212400	02.18	29	263961	02.35	4	4770487201000	05.03	37
216738	02.21	58	263962	02.35	5	4804187201000	04.05	18
218623	02.23	26	264045	02.21	16	4807387201000	04.01	15
231284	06.01	16	264046	02.21	17	4807487202000	04.01	16
241937	02.13	14	264266	02.23	23	4813187219000	04.03	4
241937	06.06	6	264268	02.23	21	4813187220000	04.03	3
244585	08.02	27	264369	08.02	34	4834187202000	04.05	4
245736	02.22	12	264369	08.06	49	4834187203000	04.05	3
248419	06.02	4	264449	02.31	9	4837187202000	04.05	8
254485	01.38	17	264451	01.25	45	4837287201000	04.05	7
254485	02.31	7	264454	05.03	45	4840887201000	04.05	13
254485	02.45	29	264462	02.06	13	4855987201000	04.03	5
254485	02.47	5	264646	02.45	25	4867487201000	04.01	14
257134	02.23	36	264753	02.21	48	4868487502000	04.03	12
257134	06.04	4	264753	02.21	5	487211	02.47	29
257134	06.09	15	264755	02.21	49	493433	02.24	13
258469	02.44	2	264811	02.24	2	493434	01.25	12
259830	02.29	21	264812	02.24	3	493435	01.25	13
259830	02.31	3	264813	02.24	12	493717	02.18	33
260849	02.09	19	264816	02.24	5	493801	02.03	16
260850	02.07	22	264817	02.24	15	493929	02.45	2
260851	02.07	23	264818	02.24	14	493930	02.45	4
260852	02.09	21	264819	02.24	8	493932	02.45	7
260856	02.09	20	264821	02.24	11	493933	02.45	3
260857	02.09	22	264822	02.24	6	493997	06.04	12
260858	02.07	24	264823	02.24	4	5121387201000	02.18	5
261077	02.07	27	264826	02.24	9	5131587201000	02.02	40
261078	02.07	28	264827	02.24	10	5133187201000	02.04	9
261081	02.09	23	264828	02.24	7	5175787201000	02.04	16
261082	02.09	24	264878	04.01	6	5190987201000	04.07	3
261137	02.35	11	264878	04.03	11	5195287201000	04.07	8
261219	04.05	15	264886	02.20	9	5213387201000	02.30	5
261245	02.35	12	264887	02.23	14	5213487201000	02.30	6
261317	02.19	24	268158	09.01	4	5290787203000	02.02	9
261319	04.05	12	272836	03.02	5	5375187201000	02.29	12
261321	02.10	25	272836	08.03	27	5382387201130	02.25	6
261322	01.29	12	289690	01.38	23	5389387201000	02.17	43
261322	05.06	5	292022	06.02	13	5389487201000	02.17	44
261322	06.06	4	294353	06.02	12	5389687201000	02.17	45
261323	02.08	18	296170	02.25	21	5509187202000	02.45	10
261323	02.10	36	296170	03.04	16	5509287202000	02.45	9
261332	05.02	12	3130187207000	05.08	5	5510387203000	02.29	14
261336	03.06	28	3132487202000	05.08	7	5510887201000	02.17	31
261355	02.10	50	3132587201000	05.08	20	5516687202000	02.18	16
261424	02.13	7	3354887201000	01.29	3	5517887201000	02.17	32
261425	02.13	3	3355587202000	01.29	2	5525587201000	03.02	27
2614385	02.18	13	4123187201000	01.25	26	5612187201000	02.25	13
261443	02.15	3	4125187201000	01.25	28	564005	02.39	43
261444	02.15	6	4125287201000	01.25	23	564005	02.47	32
262125	02.06	19	4131687201000	01.25	7	565057	02.23	25
262125	02.06	25	414834	08.05	40	565195	02.25	4
262125	05.01	2	414834	09.02	34	56530R	02.14	1
262128	05.08	6	414837	02.22	5	56531R	02.14	3
2624805	03.06	29	4232987201000	01.25	34	56535R	02.14	2
262836	06.04	24	4243187203000	01.25	30	56536R	02.14	4
2628375	06.04	15	430207	08.06	40	565380	02.18	28
263195	02.21	52	4334587507000	04.01	3	565380	02.21	9
263207	02.18	14	4350287201000	04.04	2	56538R	02.14	7

Code	Nr. der Tafel	Pos.	Code	Nr. der Tafel	Pos.	Code	Nr. der Tafel	Pos.
565429	03.02	17	5855887Z01030	02.35	2	613323	03.02	2
565429	03.04	17	5862187Z02000	02.35	6	613323	03.02	22
56580R	02.24	1	5863687Z01000	02.17	8	613326	03.02	14
56581R	02.26	6	5864587Z01000	02.17	6	6134387Z01000	02.03	38
56582R	02.26	5	5864687Z02000	02.35	14	6134487Z01000	02.03	39
56583R	02.23	1	5864787Z02000	02.35	15	613678	03.02	34
56591R	04.06	1	5864887Z01000	02.35	16	613679	03.02	33
56591R	04.07	16	5864987Z01000	02.35	17	613694	02.15	15
56593R	04.04	13	5866987Z01000	02.35	8	613767	02.26	3
56594R	04.05	21	5882587Z01030	03.04	14	613813	03.02	3
56605R	02.10	70	600699M	06.04	1	613820	06.03	1
566063	06.09	19	6102387Z14000	02.03	6	613839	02.37	11
56607R	02.10	71	6102487Z14000	02.03	7	613839	06.04	9
5660835	02.25	5	6102787Z01000	02.03	1	613842	02.37	6
5660845	02.25	7	6102887Z02000	02.03	4	613843	02.37	8
566260	06.02	5	6103787Z01000	02.03	36	613849	04.07	9
566300	02.30	17	6103887Z01000	02.03	37	6141187Z01000	02.03	42
566568	06.02	8	611602	02.23	39	6142587Z01000	02.03	18
566737	02.30	27	6120187Z02000	02.03	30	6142587Z02000	02.03	32
566754	02.31	8	6120287Z02000	02.03	31	614268	02.19	4
566864	02.33	20	6120387Z02000	02.03	28	6142687Z01000	02.03	19
567245	02.23	37	6120487Z02000	02.03	29	6142687Z02000	02.03	33
567246	02.23	38	612078	02.21	31	614269	02.19	6
567732	02.19	14	612079	02.21	34	614772	03.02	19
567820	02.21	51	612080	02.21	32	614794	03.02	7
567821	02.21	50	612081	02.21	35	614797	02.45	17
5695815	02.17	37	612086	02.21	44	614826	02.45	28
5707887Z01000	02.04	10	612087	02.21	38	614833	02.31	2
5711687Z07000	02.02	33	612089	02.21	36	615091	05.06	4
5713387Z01000	02.02	12	612090	02.21	37	615093	03.04	13
5731787Z01000	02.04	15	612097	02.21	45	615094	02.37	7
5740587Z02000	02.17	21	612098	02.21	39	615100	02.45	12
5740687Z02000	02.17	22	612099	02.21	40	615261	02.22	17
5760787Z01000	02.17	5	612100	02.21	43	615263	02.22	16
5760787Z05000	02.04	7	612104	02.21	33	615392	06.01	14
5760887Z03000	02.04	8	612109	02.21	42	615430	03.04	15
576189	03.02	12	6121187Z02000	02.03	10	615484	06.08	5
576464	02.32	1	612124	02.22	7	615485	06.07	5
576542	02.38	14	6121287Z02000	02.03	11	615529	02.19	23
576542	02.39	14	612197	02.47	8	615530	02.19	5
5766187Z01000	02.17	27	612198	02.47	10	615895	06.12	3
5766387Z01000	02.17	33	612279	02.45	14	615897	06.12	11
5766487Z01000	02.17	35	6123187Z04000	02.03	12	615902	06.12	12
580141	06.02	22	6123287Z03000	02.03	14	615909	05.03	44
580188	06.04	2	6123387Z02000	02.03	40	615910	02.04	14
5802187Z13000	02.17	15	6123487Z02000	02.03	41	615911	02.04	13
5803587Z01000	02.17	26	612476	08.03	11	615917	02.07	14
58115R	06.01	15	612496	02.47	19	615918	02.07	15
5820387Z02000	02.02	28	612499	02.47	15	615932	02.33	13
5820487Z01000	02.02	32	612500	02.47	13	615932	02.33	17
5823187Z02000	02.29	3	612500	02.47	18	615932	02.33	3
58233R	06.03	9	612501	02.47	17	615932	02.33	6
5824187Z02000	02.29	16	612502	02.47	20	6160187Z01000	02.03	45
5824287Z02000	02.29	17	612504	02.47	46	6160287Z01000	02.03	2
5826687Z01000	02.18	43	612505	02.47	45	6170387Z01000	02.03	15
5830787Z01000	02.17	34	6126187Z01000	02.03	8	6170387Z04000	02.03	48
5832987Z08000	02.16	6	6126287Z01000	02.03	9	6170487Z01000	02.03	47
5835987Z01000	02.17	7	612698	06.13	20	6170487Z04000	02.03	46
5836487Z01000	02.04	4	6127065	06.13	25	6180787Z01000	02.10	33
5836787Z02000	02.17	12	612709	06.13	23	6180887Z01000	02.10	34
5838587Z02000	02.17	11	612710	06.13	24	6182787Z01000	02.10	35
584004	06.02	14	612817	06.13	19	6183987Z01000	02.10	41
584004	06.03	8	612818	06.13	21	620356	06.04	25
5840187Z05000	02.17	17	6130187Z01000	02.03	20	620970	02.20	12
5843587Z03000	02.17	18	6130287Z01000	02.03	22	623770	06.13	5
5852387Z01000	02.17	10	613276	03.02	8	6241387Z01000	02.07	6
5852387Z01000	02.29	5	613319	05.01	5	624456	05.02	28

Code	Nr. der Tafel	Pos.	Code	Nr. der Tafel	Pos.	Code	Nr. der Tafel	Pos.
6271187Z02000	02.27	5	652234	03.06	22	661140	08.02	3
6271287Z02000	02.27	4	6530587Z01000	02.18	53	661140	08.04	4
6274187Z01000	02.27	3	6530687Z01000	02.18	54	661140	08.05	4
6311187Z01000	02.15	9	6531387Z01000	02.18	49	661140	08.06	4
6311187Z02000	02.15	1	6531487Z01000	02.18	51	661184	02.23	27
6313287Z01000	02.15	2	6531787Z01000	02.18	55	6614687Z01000	02.21	13
6313487Z01000	02.15	8	6531887Z01000	02.18	56	6614687Z01000	02.22	19
6314187Z01000	02.15	4	656003	02.38	14	6614787Z01000	02.21	22
6314287Z01000	02.15	7	656003	02.39	14	6614887Z01000	02.21	8
6331187Z02030	02.15	10	658155	04.03	6	6615187Z01000	02.21	10
6331287Z01030	02.15	11	658278	05.02	38	6620187Z01000	02.21	21
6331387Z01030	02.15	12	658278	05.03	32	662510	02.08	14
6339187Z01030	02.15	13	658279	05.02	39	6628087Z01000	02.21	24
6339287Z01030	02.15	14	658279	05.03	33	6628787Z01000	02.21	27
640753	06.03	6	658842	06.12	8	6628887Z01000	02.21	28
6413587Z01000	02.03	26	658949	02.37	13	6628987Z01000	02.21	29
6413687Z01000	02.03	27	658970	06.02	1	6631187Z01000	02.21	3
641458	06.04	3	658971	06.02	2	6631387Z01000	02.18	37
6419187Z01000	02.03	25	658987	02.30	22	6632187Z01000	02.18	50
6419287Z01000	02.03	24	658991	05.07	2	6633187Z01000	02.18	21
643452	06.02	28	658992	05.07	1	6633187Z01000	02.18	34
644286	05.06	12	658998	02.37	14	6633187Z01000	02.21	59
644286	06.04	6	658999	02.37	4	6633287Z01000	02.18	22
644299	04.04	11	659706	08.02	25	6633287Z01000	02.18	35
644300	03.02	28	659730	06.01	24	6633287Z01000	02.21	60
644318	02.22	6	659736	08.03	3	6640187Z03000	02.18	48
644535	06.12	23	659736	09.03	13	6700187Z01000	02.07	1
644536	06.12	24	660522	06.04	13	6700287Z01000	02.07	3
644638	02.19	13	660619	02.43	3	6700587Z01000	02.11	1
644643	02.19	7	660652	08.04	22	6701187Z01000	02.07	2
645434	06.12	6	660652	08.05	22	6701287Z01000	02.07	4
645435	06.12	5	660652	08.06	22	6711587Z01000	02.11	2
645436	06.12	4	660652	09.01	29	6740387Z01000	02.07	11
645568	02.18	24	660652	09.02	47	6740787Z01000	02.09	9
645568	02.19	17	660655	08.02	6	6740887Z01000	02.09	10
645569	02.18	23	660665	08.02	19	6777187Z01000	02.07	16
645569	02.19	17	660684	08.04	31	6777187Z01000	02.09	14
645581	06.04	10	660684	08.05	31	6777187Z01000	02.11	6
645663	02.43	16	660684	08.06	31	6777187Z01000	02.27	2
645670	02.19	8	660684	09.01	51	6781187Z01000	02.07	21
645795	02.19	16	660684	09.02	23	6783187Z01000	02.07	18
645930	06.12	22	660689	08.02	30	6783187Z02000	02.07	17
645931	06.12	20	660704	06.12	9	6783287Z01000	02.07	20
645932	06.12	17	660705	06.12	10	6783287Z02000	02.07	19
645933	06.12	19	660710	08.04	17	6784187Z01000	02.09	13
645934	06.12	18	660710	08.05	17	6786187Z01000	02.07	33
645974	02.33	16	660710	08.06	17	6787187Z01000	02.09	27
645976	02.33	12	660710	09.01	23	6788187Z01000	02.11	7
646230	04.07	14	660710	09.02	50	6803187Z01000	02.10	66
646244	02.19	10	660727	08.02	26	6803287Z01000	02.10	67
648201	02.23	7	6610187Z01000	02.21	12	6803787Z01000	02.10	59
648205	02.23	8	6610187Z01000	02.22	20	6803887Z01000	02.10	60
648220	02.23	13	661042	06.13	27	6810387Z02000	02.09	25
648225	02.23	24	661047	02.26	9	6810487Z02000	02.09	26
6483187Z01000	02.25	22	661048	02.26	10	6813187Z02000	02.11	9
6501187Z07000	02.18	31	661064	02.02	42	6829187Z01000	02.11	8
6507187Z01000	02.21	4	661065	08.02	37	6831787Z01000	02.10	68
6507287Z01000	02.21	6	661065	08.04	30	6832687Z01000	02.10	52
6507387Z01000	02.21	5	661065	08.05	30	6833287Z01000	02.10	22
6507487Z01000	02.21	7	661065	08.06	30	6833487Z01000	02.10	48
6510287Z03000	02.18	38	661065	09.01	52	6837787Z01000	02.10	38
6510487Z02000	02.18	39	661065	09.02	24	6838087Z01000	02.10	44
6510587Z01000	02.18	40	661075	08.05	13	6839087Z01000	02.10	45
6510687Z02000	02.18	41	661075	09.02	41	6851787Z01000	02.10	58
651883	04.07	15	661128	08.06	43	6861087Z01000	02.07	8
651886	06.02	7	6611287Z01000	02.18	36	6871087Z01000	02.26	1
651928	05.06	2	661130	08.06	44	6880187Z01000	02.10	23

Code	Nr. der Tafel	Pos.	Code	Nr. der Tafel	Pos.	Code	Nr. der Tafel	Pos.
6880187Z02000	02.10	21	7714187Z01000	02.38	23	837220	01.25	38
6895087Z82000	02.10	26	7714187Z01000	02.39	18	837221	01.25	54
6896087Z82000	02.10	27	7720187Z06000	02.38	18	837224	05.07	11
6920787Z01030	02.26	13	7801187Z01000	05.09	16	837233	02.23	28
6921087Z01000	02.08	16	7801387Z01000	05.09	3	8423087504000	02.13	8
6922087Z01000	02.08	17	7810187Z01000	05.09	6	8503587Z01000	06.12	31
6927087Z01000	02.08	1	7811987Z01000	05.09	5	850667	01.25	55
6927287Z01030	02.10	6	7818787Z01000	05.09	10	850676	02.33	28
6927987Z01000	02.08	3	810688	02.33	18	850677	02.33	29
6928087Z01000	02.08	2	810688	02.33	7	8534987Z01000	06.12	25
6928587Z01000	02.26	14	8121187Z01000	06.03	31	857008	08.03	7
6928587Z01000	02.26	4	8124087Z01000	02.13	24	8723287Z02000	02.45	13
6941387Z01000	02.10	64	8127087Z01000	06.03	36	874554	09.03	17
6941487Z01000	02.10	62	8127087Z02000	06.03	32	874747	02.47	30
6941687Z01000	02.10	54	8127187Z01000	06.03	34	877136	02.36	9
6941887Z01000	02.10	65	8127887Z01000	06.03	15	889637	02.47	31
6941987Z01000	02.10	56	8155087Z01000	06.03	11	9004101534000	05.02	44
6971187Z01000	02.08	6	8155087Z02000	06.03	16	9004101534000	05.03	35
6971287Z01000	02.08	7	8155187Z01000	06.03	13	9004101534000	05.03	38
6971387Z01000	02.10	5	8155487Z03000	06.03	18	9004101607000	01.25	5
6973087Z01000	02.10	11	8156087Z01000	06.03	12	9004101609000	01.25	11
6974087Z01000	02.10	12	8156087Z02000	06.03	17	9004105165000	08.04	13
6974787Z01000	02.08	19	8156187Z01000	06.03	14	9004105165000	08.06	13
6974787Z01000	02.10	18	8156487Z01000	06.03	19	9004105165000	09.01	19
6975987Z01000	02.08	8	8157087Z01000	06.03	29	9004105170000	02.21	25
6975987Z01000	02.10	10	8167087Z01000	06.03	25	9004109212000	01.25	16
709037	02.23	17	8167187Z01000	06.03	27	9004119260000	01.38	16
709052	08.02	13	8175587Z02000	06.03	22	9004119260000	01.38	27
709052	08.02	7	8217287Z01000	06.07	13	9004119260000	02.09	11
709052	08.04	8	8218687Z01000	06.07	16	9004119260000	02.17	24
709052	08.05	27	8218787Z01000	06.07	15	9004119260000	02.45	23
709052	08.05	8	8260087538000	06.09	1	9004119260000	02.47	4
709052	08.06	8	8261087510000	06.09	4	9004119260000	06.12	16
709052	09.01	37	8271587Z04000	06.09	7	9004119260000	06.12	29
709052	09.02	57	837109	01.25	8	9004119302000	02.18	15
709056	08.04	26	837138	05.07	4	9004119341000	02.02	7
709056	08.05	41	837144	05.02	41	9004119341000	02.07	13
709056	08.06	18	837145	05.02	40	9004119341000	02.10	13
709056	08.06	41	837145	05.03	34	9004119341000	02.17	14
709056	09.01	17	837146	05.02	45	9004119383000	02.10	46
709056	09.02	35	837146	05.03	40	9004119450000	06.07	10
709077	08.04	7	837158	01.25	40	9004119520000	04.04	5
709077	08.05	7	837159	01.25	41	9004119537000	02.18	25
709077	08.06	48	837160	05.07	3	9004119537000	02.19	19
709077	08.06	7	837161	01.25	9	9004119537000	02.31	10
709077	09.01	36	837162	01.25	36	9004119537000	03.02	6
709077	09.02	56	837163	01.25	10	9004119620000	02.26	2
709116	02.13	16	837164	05.04	4	9004151029000	02.08	15
709116	05.03	30	837165	05.04	11	9004151029000	02.10	2
709116	08.02	42	837166	05.04	2	9004159230000	02.25	10
709116	08.06	42	837167	05.04	8	9004159230000	06.02	25
709677	02.43	10	837168	05.04	9	9004159230000	06.02	3
709677	02.43	15	837169	05.04	5	9004159431000	05.09	9
7137087Z01000	02.33	22	837170	05.04	3	9004171003000	03.06	27
7137087Z01000	02.33	9	837171	01.25	37	9004178043000	03.06	20
7197387Z01030	02.33	24	837174	01.25	31	9004178044000	01.25	22
7431087Z02030	02.13	4	837175	01.25	32	9004179075000	04.03	10
7461787Z01030	02.13	19	837176	01.25	19	9004179187000	01.37	4
7555187Z03000	02.16	4	837177	01.25	3	9004183025000	03.02	32
7555187Z04000	02.16	9	837178	01.25	4	9004183050000	02.31	11
7555287Z04000	02.16	10	837179	01.25	14	9004183050000	06.03	28
7565187Z01000	02.10	39	837181	05.07	10	9004189001000	06.04	16
7565287Z01000	02.10	40	837182	05.07	9	9004189023000	06.03	24
7661987Z02000	02.02	2	837183	05.07	5	9004201224000	04.04	8
7662187Z01000	02.02	5	837184	05.07	6	9004201291000	02.06	3
7662187Z02000	02.02	4	837185	05.07	7	9004201549000	04.07	5
7710887Z01000	02.38	45	837186	05.07	8	9004201638000	03.06	21

Code	Nr. der Tafel	Pos.	Code	Nr. der Tafel	Pos.	Code	Nr. der Tafel	Pos.
9004201724000	01.25	21	9004564518000	01.25	17	9165140822000	04.07	7
9004208030000	06.04	18	9004564519000	01.25	17	9165141025000	02.18	6
9004210027000	03.06	26	9004564520000	01.25	17	9165160620000	02.47	16
9004240142000	05.08	26	9004564521000	01.25	17	9165160620000	02.47	25
9004241105000	02.10	47	9004564522000	01.25	17	9165160620000	05.01	6
9004241106000	02.10	49	9004564523000	01.25	17	9165160625000	08.04	25
9004301252000	01.25	20	9004564524000	01.25	17	9165160625000	09.01	16
9004311201000	04.04	12	9004564525000	01.25	17	9165160820000	08.03	25
9004311330000	01.25	24	9004564526000	01.25	17	9338516014000	02.18	52
9004341011000	02.38	3	9004564527000	01.25	17	9338516014000	02.22	22
9004341011000	02.39	2	9004871062000	02.14	6	9352014014000	02.18	47
9004341070000	01.25	53	9004871138000	06.02	24	9352014014000	02.18	9
9004363242000	04.04	10	9004871154000	02.19	15	9354054012000	03.02	29
9004363243000	01.25	35	9004871154000	02.21	23	9354056020000	02.08	13
9004366065000	01.25	25	9004874011000	02.29	18	9356055012000	06.04	21
9004366066000	01.25	18	9004874013000	02.02	30	9356715014000	02.47	21
9004366067000	01.25	27	9004874025000	02.03	43	9356715016000	06.03	35
9004386101000	04.03	8	9004874031000	02.09	12	9356755014000	03.02	10
9004386115000	05.08	8	9004874031000	02.11	3	9356755016000	03.02	31
9004386116000	01.29	4	9004876010000	02.18	42	9356855012000	02.30	21
9004386117000	01.29	6	9004902019000	04.06	2	9358016012000	02.18	45
9004389068000	04.04	9	9004902019000	04.07	17	9359016014000	02.16	8
9004389104000	03.06	25	9004911036000	04.06	5	9412040800000	01.29	9
9004430236000	05.03	46	9004912054000	01.25	33	9418041000000	02.18	7
9004446371000	02.39	5	9004915043000	01.25	6	9451101000000	04.05	17
9004460117000	02.38	22	9004922154000	05.02	13	9451201000000	01.25	44
9004461420000	05.09	14	9004922166000	05.04	10	9451201000000	04.01	19
9004461420000	06.09	6	9004922167000	05.04	1	9461310800000	01.29	7
9004462157000	02.38	37	9111261035000	01.37	3	9616000800000	05.09	4
9004462157000	02.39	38	91117171255000	04.03	13	9671119014000	01.29	5
9004462322000	01.38	18	9161160612000	02.39	45	967363	03.06	5
9004462324000	05.09	15	9161160612000	05.01	18	975805	08.02	29
9004464190000	06.09	9	9161160612000	05.02	6	9913211210000	06.03	20
9004464240000	06.09	21	9161160612000	05.03	13	9913211210000	06.03	26
9004464484000	06.09	8	9161160612000	05.06	11	9913211210000	06.03	30
9004464484000	06.12	26	9161160612000	05.06	8	9913212050000	06.03	33
9004465038000	05.06	10	9161160614000	05.08	12	9913221210000	06.03	21
9004467228000	02.38	36	9161160816000	02.47	43	AP8150073	06.12	2
9004467228000	02.38	8	9161160840000	08.05	25	B000044	04.03	16
9004467305000	02.39	7	9162140610000	02.03	5	B000045	04.03	17
9004467361000	02.43	18	9162140610000	02.07	7	B000066	02.36	3
9004467361000	02.45	21	9162140610000	02.21	14	B000067	04.05	10
9004468084000	02.17	30	9162140610000	02.26	17	B000149	02.36	4
9004480161000	06.07	12	9162140610000	02.26	7	B000224	02.22	14
9004480378000	05.01	13	9162140614000	02.07	9	B000337	02.20	11
9004508227000	05.09	7	9162140614000	02.10	37	B000339	02.20	10
9004508350000	05.08	9	9162140614000	02.17	20	B000340	02.20	13
9004508351000	05.08	19	9163140612000	02.18	27	B000466	03.06	10
9004530013000	02.35	3	9163140612000	02.19	21	B000468	05.08	18
9004540073000	02.06	4	9165140610000	02.21	19	B000485	05.08	3
9004540073000	02.06	6	9165140610000	02.22	21	B000497	03.08	10
9004540074000	02.06	8	9165140614000	02.21	20	B000504	03.06	7
9004540166000	05.08	4	9165140614000	06.12	14	B000505	03.06	8
9004541138000	02.11	4	9165140616000	02.47	39	B000508	03.06	2
9004541144000	02.18	46	9165140616000	08.03	15	B000513	02.45	16
9004541144000	02.18	8	9165140616000	08.04	38	B000516	03.08	5
9004560155000	02.10	51	9165140616000	08.05	38	B000521	04.01	12
9004564508000	01.25	29	9165140616000	08.06	38	B000522	04.01	1
9004564509000	01.25	29	9165140814000	02.17	19	B000523	04.04	14
9004564510000	01.25	29	9165140814000	02.44	5	B000525	04.04	15
9004564511000	01.25	29	9165140814000	02.47	6	B000526	01.25	39
9004564512000	01.25	29	9165140816000	02.04	5	B000526	05.06	22
9004564513000	01.25	29	9165140816000	02.10	24	B000527	05.02	2
9004564514000	01.25	29	9165140816000	02.33	10	B000541	05.02	5
9004564515000	01.25	29	9165140816000	02.33	23	B000542	05.02	4
9004564516000	01.25	29	9165140816000	04.07	2	B000543	05.02	10
9004564517000	01.25	29	9165140816000	09.03	23	B000544	05.02	21

Code	Nr. der Tafel	Pos.	Code	Nr. der Tafel	Pos.	Code	Nr. der Tafel	Pos.
B000545	05.02	22	B004318	03.04	9	B004885	02.20	1
B000713	02.19	22	B004319	03.04	12	B004886	02.20	8
B000810	05.06	18	B004320	03.04	1	B004913	02.20	15
B000822	02.25	17	B004325	03.04	10	B004914	02.20	18
B000823	02.25	18	B004342	04.03	9	B004915	02.31	13
B000831	02.30	15	B004364	06.07	4	B004936	06.12	33
B000832	02.30	19	B004423	02.18	10	B004981	04.05	22
B000833	02.30	3	B004450	06.13	7	B004982	01.38	15
B000835	02.30	4	B004453	01.29	10	B004995	02.38	21
B000836	02.30	18	B004459	03.04	4	B004997	02.38	20
B000839	02.30	11	B004461	06.13	9	B004998	02.39	6
B000843	06.02	10	B004463	06.13	10	B004999	02.39	4
B000875	05.06	7	B004463	06.13	15	B005000	02.38	6
B000878	04.07	10	B004464	06.13	11	B005007	01.37	5
B000881	02.25	16	B004465	06.13	16	B005010	04.05	1
B000882	02.25	15	B004467	06.07	3	B005011	04.05	2
B000883	02.25	14	B004495	02.09	16	B005012	04.05	20
B000892	05.01	7	B004496	02.09	18	B005014	02.10	7
B000893	05.01	8	B004499	02.27	1	B005015	02.10	8
B000898	02.02	26	B004500	02.11	5	B005016	02.10	29
B000903	05.03	18	B004506	02.47	12	B005017	02.10	31
B000909	05.02	26	B004520	06.07	17	B005018	02.10	1
B000910	05.02	23	B004521	06.07	11	B005020	02.10	14
B000911	05.02	24	B004540	05.06	27	B005021	02.10	15
B000932	03.08	1	B004542	05.06	26	B005022	02.38	19
B000933	03.08	2	B004554	02.32	2	B005023	02.39	12
B000934	03.08	3	B004564	02.13	5	B005027	06.01	13
B000935	03.08	4	B004567	02.32	6	B005028	02.38	24
B000937	06.02	6	B004570	02.13	11	B005028	02.39	19
B000944	02.30	16	B004571	02.13	12	B005029	02.10	57
B000945	02.30	14	B004583	06.04	27	B005030	01.25	51
B000949	02.30	20	B004603	06.12	13	B005030	05.06	25
B000961	02.36	1	B004604	06.07	14	B005030	05.06	9
B000962	02.36	2	B0046065	02.04	19	B005041	05.02	18
B000965	02.30	10	B0046065	02.04	20	B005042	05.02	17
B000966	02.30	12	B004613	02.32	4	B005051	02.43	24
B000968	06.03	5	B004620	02.32	5	B005053	01.29	21
B000969	06.03	7	B004623	04.07	6	B005054	01.29	15
B000970	06.03	3	B004629	02.13	18	B005055	01.29	20
B000973	03.02	30	B004631	02.18	19	B005056	01.29	22
B000979	06.02	23	B004678	03.06	14	B005057	04.01	17
B000985	02.30	24	B004679	03.06	17	B005057	04.01	21
B004105	08.02	22	B004680	03.06	18	B0051155	02.22	18
B004111	03.08	8	B004681	02.32	3	B005119	06.04	26
B004123	03.08	11	B004694	03.06	16	B005123	02.22	13
B004124	03.08	12	B004695	02.17	42	B005125	02.22	15
B004135	02.16	7	B004700	06.09	22	B005126	02.22	11
B004140	04.04	18	B004723	06.01	7	B005127	02.22	10
B004148	03.06	12	B004729	06.09	14	B005202	01.37	8
B004243	06.03	4	B004730	06.02	18	B005203	01.37	6
B004249	02.30	2	B0047455	02.02	15	B005205	01.38	2
B004249	02.30	29	B004806	06.02	20	B005209	01.38	5
B004250	02.30	13	B004807	06.02	19	B005233	06.07	2
B004252	02.29	19	B004808	06.02	21	B005269	02.38	33
B004254	02.29	20	B004809	06.02	15	B005269	02.39	22
B004258	03.02	21	B004810	06.02	16	B005277	02.38	17
B004262	02.13	15	B004811	06.02	17	B005277	02.39	17
B004272	06.01	4	B004820	03.06	15	B005278	02.38	15
B004275	03.08	6	B004821	03.06	19	B005278	02.39	15
B004276	03.08	6	B004822	03.06	32	B005279	02.38	7
B004278	06.01	8	B004823	03.06	30	B005279	02.39	12
B0042833	02.08	9	B004824	03.06	31	B005280	02.38	9
B0042843	02.08	10	B004825	03.06	24	B005283	02.39	29
B004312	02.31	1	B004826	03.06	23	B005285	02.39	30
B004315	03.04	6	B004827	03.06	13	B005286	02.38	32
B004316	03.04	8	B004853	03.02	23	B005286	02.39	31
B004317	03.04	5	B004881	02.20	16	B005286	02.39	32

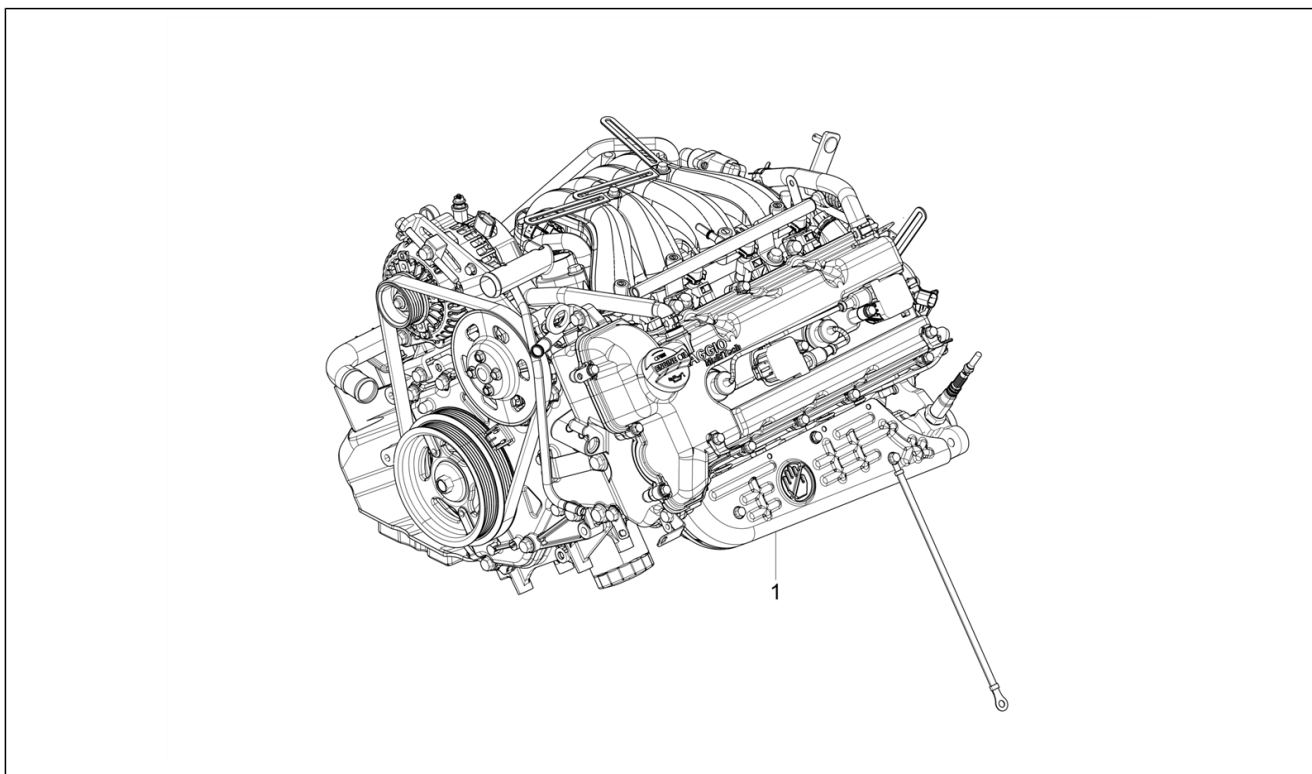
Code	Nr. der Tafel	Pos.	Code	Nr. der Tafel	Pos.	Code	Nr. der Tafel	Pos.
B005310	02.36	5	B005784	08.04	3	B007640	02.18	26
B005325	02.13	2	B005784	08.05	3	B007640	02.19	20
B005327	02.25	20	B005784	08.06	3	B007665	04.01	5
B0053285	02.02	20	B005785	08.04	35	B007665	04.05	11
B0053295	02.02	17	B005785	08.05	35	B007673	02.07	14
B0053315	02.04	3	B005785	08.06	35	B007674	02.07	15
B005335	02.10	3	B005788	08.03	22	B007705	02.36	7
B005336	02.10	4	B005789	08.03	20	B007829	05.01	11
B0053475	02.02	19	B005790	08.03	21	B007881	06.01	6
B005349	01.25	46	B005796	08.02	1	B007882	06.01	2
B005350	01.25	48	B005797	08.02	2	B007883	06.01	1
B005350	05.06	15	B005798	08.02	24	B007884	06.01	5
B005351	05.06	16	B005867	01.25	50	B007885	06.01	10
B005352	01.29	25	B005867	05.06	14	B007889	06.01	9
B005352	05.06	13	B005868	01.25	49	B007890	06.01	3
B005354	05.03	5	B0058795	02.04	2	B007906	02.35	1
B005359	02.17	9	B0058815	02.04	17	B007907	02.36	6
B005360	05.03	9	B005903	02.38	29	B007908	02.36	10
B005363	03.02	25	B005903	02.39	24	B007913	02.36	8
B005505	02.13	1	B005906	06.01	19	B007925	09.01	3
B005521	02.38	25	B005907	03.02	1	B007926	09.02	6
B005553	01.38	25	B005909	03.02	9	B007929	09.01	7
B005558	02.39	33	B005912	02.23	24	B007929	09.02	12
B005629	01.25	52	B005915	03.06	1	B007930	09.01	6
B005629	04.04	19	B005948	02.26	15	B007930	09.02	11
B005629	05.06	21	B005949	02.26	16	B007931	09.01	13
B005630	02.02	24	B0060475	02.19	2	B007931	09.02	13
B0056345	02.17	13	B0060535	02.02	41	B007932	09.01	11
B005643	02.47	14	B0060935	02.04	18	B007932	09.02	17
B005644	02.47	22	B0061525	02.02	36	B007933	09.01	12
B005651	04.06	6	B006169	06.12	1	B007933	09.02	18
B005658	02.13	13	B006197	05.02	11	B007935	09.01	1
B005660	01.38	3	B007004	01.37	7	B007935	09.02	1
B005661	01.38	4	B0070125	02.02	29	B007936	09.01	2
B005663	01.38	1	B0070135	02.02	31	B007936	09.02	2
B005672	01.38	20	B007016	02.38	31	B007939	09.01	38
B005677	02.23	12	B007024	04.07	1	B007939	09.02	5
B0056795	02.19	1	B007025	04.07	4	B007949	09.01	44
B005687	05.08	11	B007026	05.03	24	B007949	09.02	22
B005688	01.38	40	B0071125	02.29	2	B007950	09.02	55
B005700	06.01	12	B007132	02.45	26	B007952	09.01	39
B005705	06.13	14	B007136	05.09	12	B007955	09.01	47
B005705	06.13	8	B0071455	02.18	62	B007980	09.02	4
B005718	09.01	31	B0071465	02.18	12	B007982	08.04	12
B005718	09.02	54	B007147	02.45	27	B007982	08.05	12
B005719	08.04	6	B007157	03.04	18	B007982	08.06	12
B005719	08.05	6	B007158	02.45	24	B007982	09.02	30
B005719	08.06	6	B007162	02.30	26	B010018	01.06	19
B005719	09.01	35	B007163	02.30	25	B010018	01.19	6
B005721	08.04	9	B007194	02.17	23	B010018	01.33	22
B005721	08.05	9	B007229	02.16	1	B010018	01.33	5
B005721	08.06	9	B007230	02.16	3	B010073	01.04	13
B005727	08.03	8	B007231	02.16	2	B010073	01.06	21
B005727	09.03	18	B007234	02.32	7	B010073	01.10	7
B005728	08.05	39	B007247	05.03	2	B010073	06.05	5
B005728	09.02	27	B007293	01.29	1	B010079	01.14	5
B005728	09.02	33	B007324	02.25	12	B010079	01.16	11
B005774	08.02	4	B007327	02.25	23	B010101	01.14	13
B005774	08.04	5	B007338	02.07	25	B010101	01.16	12
B005774	08.05	5	B007339	02.07	26	B010101	01.16	31
B005774	08.06	5	B007348	05.01	17	B010101	01.19	7
B005775	08.02	5	B007353	06.04	5	B010110	01.14	12
B005775	08.04	2	B007414	04.06	3	B010221	01.14	11
B005775	08.05	2	B007414	04.07	18	B010221	01.16	4
B005775	08.06	2	B007502	02.20	14	B010221	01.19	8
B005780	08.03	43	B007554	04.01	2	B010231	01.14	9
B005781	08.03	2	B007555	04.01	13	B010231	01.19	4

Code	Nr. der Tafel	Pos.	Code	Nr. der Tafel	Pos.	Code	Nr. der Tafel	Pos.
B010255	01.26	3	B023289	05.08	23	CM272701	06.06	3
B010256	01.26	6	B0232935	02.04	22	CM272702	06.06	3
B010258	01.26	4	B023311	02.43	25	CM279501	06.05	1
B010262	01.26	22	B023318	06.12	28	CM279502	06.05	2
B010262	01.26	8	B023318	06.12	36	CM281401	02.07	30
B010269	01.26	11	B0233195	02.02	23	CM281401	02.07	32
B010274	01.26	16	B023330	02.43	22	CM281402	02.07	35
B010275	01.26	15	B023333	02.39	13	CM281402	02.07	37
B010277	01.26	21	B023349	02.43	23	CM282410	01.08	16
B010279	01.26	23	B023357	02.43	28	CM282412	01.08	16
B010284	01.26	24	B023371	02.47	44	CM282414	01.08	16
B010287	01.30	8	B023394	02.19	25	CM282416	01.08	16
B010288	01.30	7	B025102	06.13	26	CM282418	01.08	16
B010292	01.30	2	B025104	06.13	30	CM282420	01.08	16
B010294	01.30	4	B025105	06.13	12	CM282422	01.08	16
B010296	01.27	2	B025106	06.13	28	CM282424	01.08	16
B010297	01.27	1	B025626	06.13	29	CM282426	01.08	16
B010298	01.27	10	B025793	02.22	1	CM282428	01.08	16
B010299	01.27	11	B025794	02.22	3	CM282430	01.08	16
B010305	01.27	13	B025795	02.22	2	CM282432	01.08	16
B010306	01.27	22	B0259535	06.04	19	CM282434	01.08	16
B010308	01.27	20	B025954	02.37	9	CM282436	01.08	16
B010311	01.27	12	B026114	02.43	2	CM282438	01.08	16
B010314	01.27	27	B026153	02.14	5	CM282440	01.08	16
B010319	01.27	28	B026177	02.43	1	CM282442	01.08	16
B010322	01.27	46	CM001906	08.03	48	CM282444	01.08	16
B010323	01.27	45	CM001907	02.45	22	CM282446	01.08	16
B010330	01.27	34	CM001915	02.43	21	CM282448	01.08	16
B010330	01.27	38	CM013203	08.03	31	CM282450	01.08	16
B010331	01.27	37	CM013203	08.03	39	CM282452	01.08	16
B010332	01.27	35	CM017401	06.03	10	CM282454	01.08	16
B010333	01.27	36	CM017403	03.02	16	CM282456	01.08	16
B010338	01.27	47	CM017405	06.13	6	CM282458	01.08	16
B010452	01.27	49	CM017408	06.01	18	CM282460	01.08	16
B010454	01.27	51	CM017414	02.30	32	CM282462	01.08	16
B010456	01.27	53	CM017810	08.04	34	CM282464	01.08	16
B010459	01.27	7	CM017810	08.06	34	CM282466	01.08	16
B010462	01.27	8	CM017817	02.39	41	CM282468	01.08	16
B010463	01.27	6	CM017820	08.03	41	CM282470	01.08	16
B010464	01.27	5	CM017821	08.04	33	CM282472	01.08	16
B010484	01.28	20	CM017821	08.05	33	CM282474	01.08	16
B010487	01.28	23	CM017821	08.05	34	CM282476	01.08	16
B010492	01.28	6	CM017821	08.06	33	CM282478	01.08	16
B010493	01.28	17	CM022202	01.29	27	CM282480	01.08	16
B010496	01.28	18	CM037402	04.06	4	CM282482	01.08	16
B010499	01.28	11	CM037403	04.06	4	CM282484	01.08	16
B010500	01.28	16	CM037404	04.06	4	CM282486	01.08	16
B010501	01.28	12	CM037405	04.06	4	CM282488	01.08	16
B010502	01.28	13	CM037406	04.06	4	CM2836035	02.35	1
B010506	01.28	8	CM037407	04.06	4	CM301901	06.06	3
B010885	01.27	19	CM037408	04.06	4	CM301902	06.06	3
B010895	01.27	39	CM037409	04.06	4	D3852187Z01	02.17	41
B010896	01.27	48	CM037410	04.06	4	D4351087Z02	04.04	1
B010929	01.27	16	CM037411	04.06	4	D4445787Z01	02.29	6
B010931	01.28	22	CM037412	04.06	4	D4804187Z02	04.05	19
B011560	01.27	33	CM038102	01.25	42	D4840887Z03	04.05	14
B011561	01.27	14	CM038103	01.25	43	D4847087Z02	04.03	7
B023088	02.39	9	CM038401	02.33	2	D5171887Z01	02.02	37
B023089	02.38	11	CM038402	02.33	5	D5371187Z06	02.02	16
B023106	02.45	6	CM039704	02.47	35	D5375287Z01	02.29	10
B023121	02.39	1	CM039705	02.47	47	D5375387Z01	02.29	7
B0231325	02.38	1	CM039904	02.47	42	D5382187Z01	02.25	8
B023206	06.13	2	CM0401095	02.17	2	D5512787Z01	02.29	9
B023214	02.43	32	CM0401105	02.17	3	D5515287Z01	05.02	3
B023215	02.43	7	CM0401115	02.17	1	D5574187Z01	02.25	3
B023256	02.22	4	CM0401125	02.17	4	D5711687Z03	02.02	34
B023265	01.37	1	CM256203	05.08	10	D5713487Z01	02.02	13

Code	Nr. der Tafel	Pos.	Code	Nr. der Tafel	Pos.	Code	Nr. der Tafel	Pos.
D5803687Z02	02.17	29	D9004461423	02.23	34	D9165140616	01.38	31
D5803687Z03	02.17	28	D9004461423	05.09	13	D9165140616	02.31	15
D5822387Z025	02.02	27	D9004461432	05.02	15	D9165140616	02.38	34
D5822487Z02	02.02	35	D9004461432	05.03	4	D9165140616	02.39	26
D5823287Z015	02.29	4	D9004461432	05.08	16	D9165140616	02.39	36
D5837987Z01	02.29	8	D9004461468	05.02	7	D9165140616	02.43	12
D5862287Z01	02.35	7	D9004461468	05.03	21	D9165140616	02.43	30
D6142287Z014	02.03	17	D9004463232	02.29	11	D9165140616	05.02	8
D6531187Z035	02.18	32	D9004464072	06.12	34	D9165140616	05.03	25
D6644387Z01	02.18	17	D9004464092	06.09	18	D9165140616	05.03	43
D6740187Z01	02.07	5	D9004464157	02.39	20	D9165140616	05.08	15
D6740487Z01	02.07	12	D9004464157	05.03	12	D9165140616	06.04	30
D6861787Z01	02.07	10	D9004464482	06.04	8	D9165140616	06.06	5
D6895087Z035	02.10	72	D9004464629	02.39	21	D9165140616	06.07	7
D6896087Z035	02.10	69	D9004464629	05.02	20	D9165140616	06.09	17
D7269187Z01	02.34	3	D9004467076	02.25	9	D9165140616	08.02	41
D7555287Z03	02.16	5	D9004467161	05.01	9	D9165140616	09.01	50
D7765987Z01	02.38	4	D9004467190	02.38	41	D9165140616	09.02	26
D8271587Z29	06.09	12	D9004467190	02.39	23	D9165140620	06.04	11
D8538087Z01	06.12	30	D9004467190	09.03	7	D9165140820	02.02	10
D8723987Z02	02.25	2	D9004467449	02.43	8	D9165140820	02.18	20
D9004101431	02.06	2	D9004468200	02.30	7	D9165140820	02.18	4
D9004101583	04.01	11	D9004468231	02.31	12	D9165140820	02.30	23
D9004101583	04.01	9	D9004480352	02.08	20	D9165140820	02.34	2
D9004117087T	04.05	9	D9004480352	02.10	19	D9165141028	02.18	11
D9004119494	05.02	37	D9004480370	06.12	32	D9165141028	02.18	18
D9004119494	05.03	31	D9004480595	02.44	1	D9165141028	02.19	9
D9004119554	02.06	16	D9004480596	02.43	26	D9165160610	05.02	14
D9004119554	02.06	22	D9004480596	05.02	31	D9165160610	05.03	1
D9004119554	06.07	6	D9004540022	05.02	16	D9165160618	01.29	26
D9004119655	02.39	25	D9004540022	05.03	3	D9165160618	01.38	39
D9004159110	02.13	20	D9004560252	02.06	5	D9165160618	05.06	24
D9004159188	02.08	11	D9004871033	02.17	46	D9165160618	06.06	10
D9004159188	02.10	9	D9004871098	02.29	22	D9165160818	02.17	25
D9004159292	02.15	5	D9004871099	02.17	47	D9165160820	02.19	11
D9004159295	02.10	32	D9004874004	02.03	3	D9165160820	02.21	18
D9004159364	02.30	9	D9004874004	02.13	9	D9165160820	02.34	4
D9004159410	02.02	3	D9004874004	02.17	16	D9165160820	05.08	2
D9004168057	02.13	10	D9004874004	02.25	11	D9165160820	09.03	3
D9004170152	04.05	26	D9004912035	04.04	3	D9165160822	05.06	3
D9004170307	02.06	11	D9161140612	02.10	30	D9165160825	02.06	15
D9004171053	04.04	7	D9161140614	02.10	43	D9165160825	02.06	21
D9004179052	05.08	13	D9161140814	06.04	14	D9165160825	02.38	30
D9004179081	02.02	8	D9161160614	02.10	28	D9165160830	05.02	1
D9004179138	02.45	8	D9161160614	02.47	36	D9165160830	05.03	15
D9004181008	02.02	11	D9161160816	05.02	36	D9166140612	01.29	11
D9004183025	03.02	11	D9161160816	08.02	39	D9166140612	02.29	15
D9004183025	03.02	20	D9161160818	01.29	14	D9166140616	02.10	63
D9004183025	03.02	24	D9161160840	09.02	31	D9166140616	02.23	35
D9004183025	03.04	3	D9162140612	02.17	36	D9166140616	02.31	14
D9004189019	02.08	5	D9162140816	02.10	42	D9166140616	02.43	29
D9004189019	02.10	17	D9162160620	02.10	55	D9166140616	02.45	15
D9004189019	02.18	44	D9163140616	03.02	4	D9166160820	02.10	61
D9004189019	02.33	26	D9165140612	02.26	11	D9166160820	02.19	3
D9004201542	04.01	18	D9165140612	02.26	18	D9166160820	02.21	11
D9004209143	04.05	24	D9165140612	02.26	8	D9321955016	02.23	22
D9004209144	04.05	23	D9165140612	02.38	44	D9327056012	02.33	21
D9004243017	01.29	23	D9165140612	02.43	14	D9327056012	03.06	9
D9004252016	04.04	6	D9165140612	02.43	31	D9331515010	06.02	11
D9004430120	02.38	2	D9165140612	05.02	25	D9338116008	02.10	20
D9004430120	02.39	3	D9165140612	06.09	13	D9338116008	05.06	17
D9004461193	02.39	37	D9165140614	02.18	3	D9338315020	06.09	3
D9004461193	05.08	14	D9165140614	02.30	8	D9338515010	02.10	53
D9004461364	05.02	19	D9165140614	02.44	7	D9351014020	02.13	25
D9004461389	06.09	16	D9165140614	05.09	2	D9351055030	06.03	23
D9004461419	06.09	20	D9165140614	06.04	17	D9353055012	02.08	4
D9004461423	01.29	24	D9165140616	01.38	19	D9354016012	02.10	16

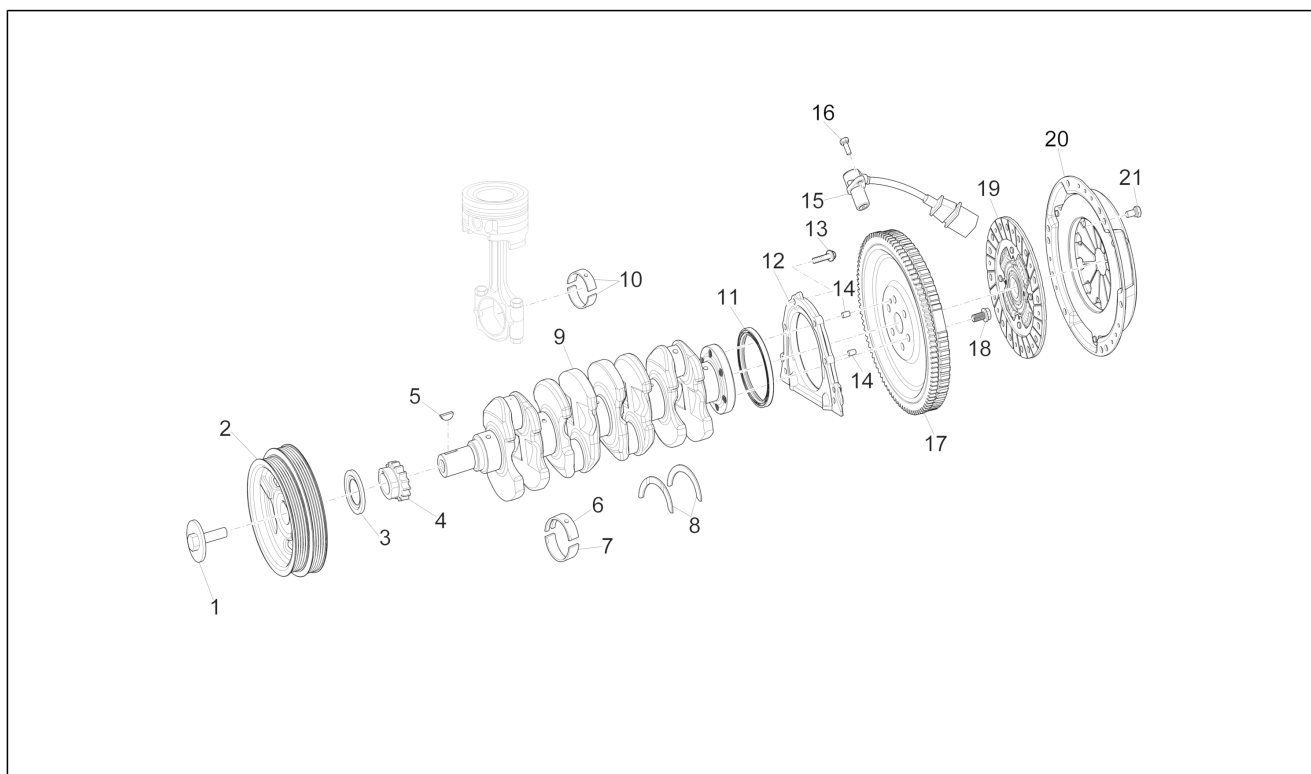
Code	Nr. der Tafel	Pos.
D9356016014	02.33	25
D9356715014	01.38	14
D9356755014	02.30	31
D9356755014	02.45	11
D9356755014	03.04	2
D9356755014	06.02	9
D9411040600	02.21	26
D9411040600	05.06	6
D9411040800	05.08	22
D9411051000	04.05	16
D9411071000	04.05	5
D9411541200	04.05	27
D9411551200	04.01	7
D9411551200	04.03	15
D9411571200	04.01	10
D9451100800	01.29	8
D9451101200	04.05	25
D9451201200	04.01	4
D9451201200	04.01	8
D9451201200	04.03	14
D9453100800	05.08	21
D9461110800	01.29	17
D9461211001	04.01	20
D9461410600	02.21	30
D9461410800	01.29	16
D9461410800	05.08	25
D9622130705	05.01	19
D9622130705	05.02	9
D9622130705	05.03	20

Einheit	Motor
Code	01.01
Beschreibung	Motor, komplett
Inspektion	1



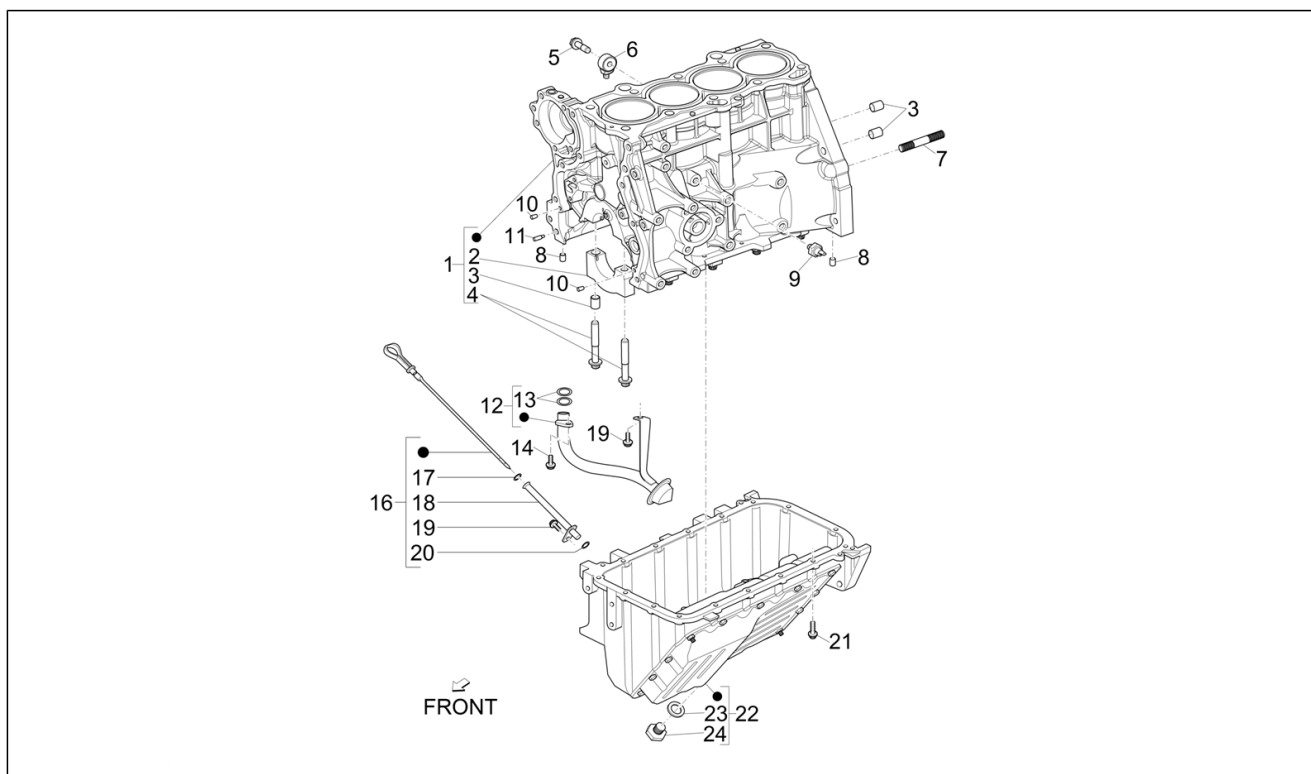
Pos.	Code	Beschreibung	Menge	Varianten
1	1A003790	Motor komplett 1300 Euro 6	1	

Einheit	Motor
Code	01.04
Beschreibung	Kurbelwelle
Inspektion	1



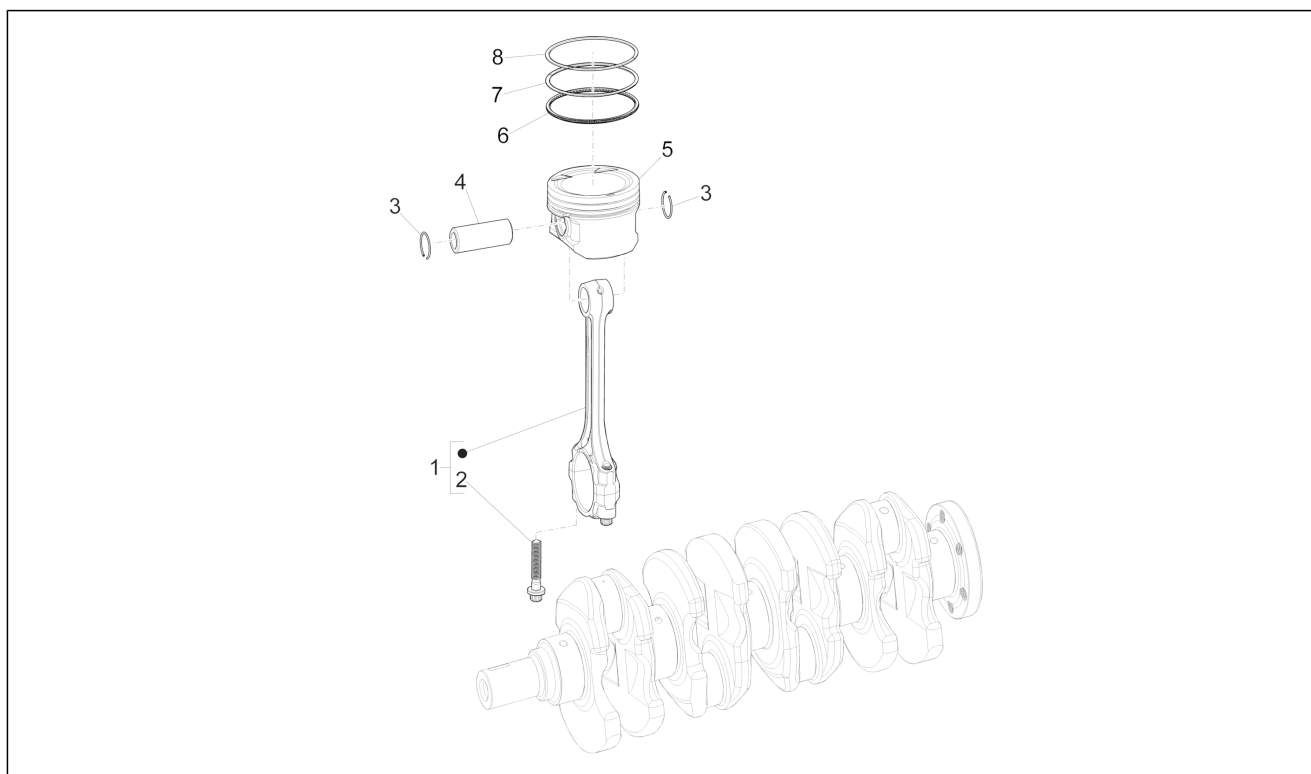
Pos.	Code	Beschreibung	Menge	Varianten
1	1A005655	Schraube Riemenscheibe Kurbelwelle	1	
2	1A005654	Riemenscheibe	1	
3	1A005656	Gasket ring	1	
4	1A005657	Ritzel	1	
5	1A005555	Scheibenfeder	1	
6	1A005553	Halbschale Kurbelwellenlager oben	5	
7	1A005552	Halbschale Kurbelwellenlager unten	5	
8	1A005554	Ausgleichsbuchse	2	
9	1A005556	Kurbelwelle komplett	1	
10	1A005160	Hauptlager Pleuelkopf	8	
11	1A005484	Gasket ring	1	
12	1A005485	Halterung Dichtring	1	
13	B010073	Sechskantschraube M6x25	6	
14	1A005479	Feststellschraube	3	
15	1A005633	Geschwindig.sensor	1	
16	1A005569	Sechskantschraube geflanscht	1	
17	1A005159	Schwungrad komplett	1	
18	1A005559	Schraube Schwungrad	6	
19	1A005148	Baugruppe Kupplungsscheibe	1	
20	1A005149	Baugruppe Kupplungsteller	1	
21	1A005560	Sechskantschraube mit Federring	6	

Einheit	Motor
Code	01.06
Beschreibung	Zylinderblock
Inspektion	1



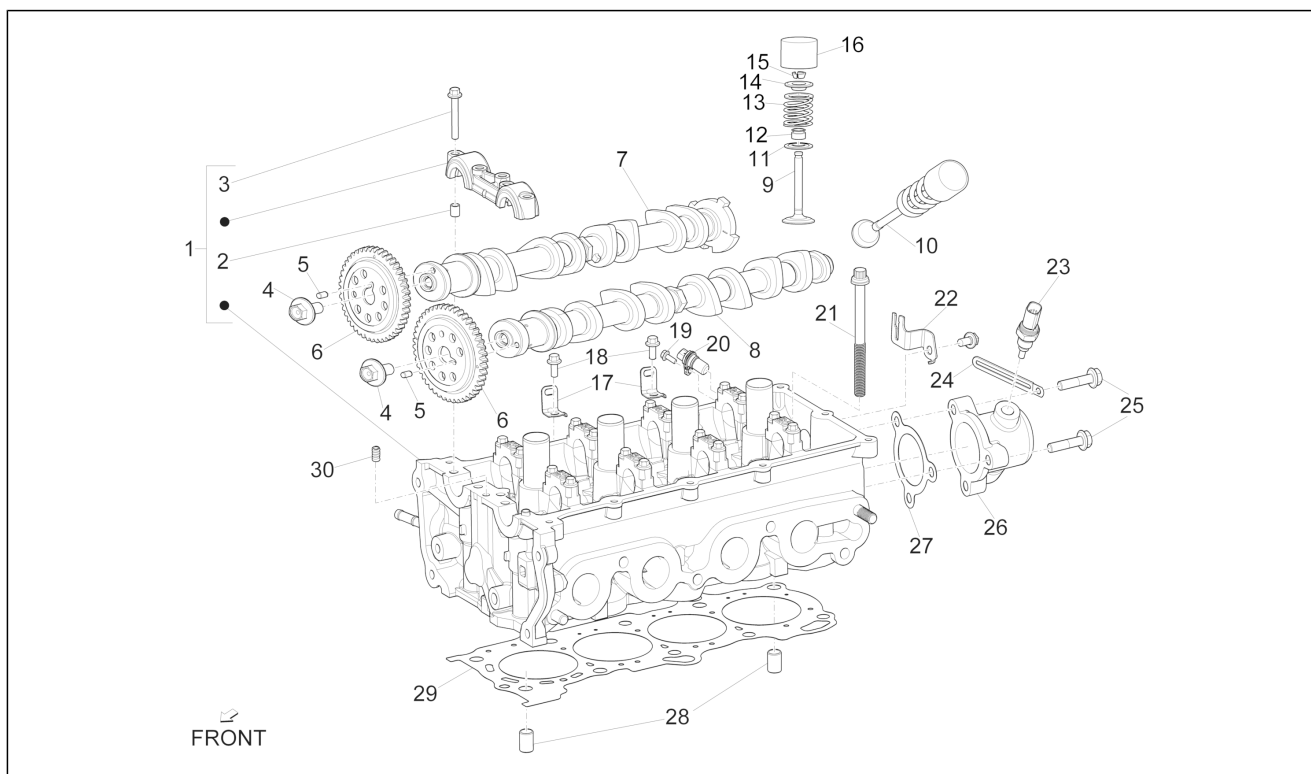
Pos.	Code	Beschreibung	Menge	Varianten
1	1A005475	Komplettes Kurbelgehäuse (4R)	1	
2	1A005476	Hauptlagerdeckel	5	
3	1A005477	Feststellschraube	5	
4	1A005486	Sechskantschraube geflanscht	10	
5	1A005482	Sechskantschraube mit Flansch M8x35	1	
6	1A005481	Klopfsensor	1	
7	1A005480	Stiftschraube	1	
8	1A005479	Feststellschraube	2	
9	1D001352	Öldrucksensor	1	
10	1A005479	Feststellschraube	2	
11	1A005483	Schmierdüse	1	
12	1A005611	Ölschwimmer komplett	1	
13	1A005612	Dichtring (O-Ring)	2	
14	1A005527	Sechskantschraube mit Flansch	1	
16	1A005177	Ölmesstab komplett	1	
17	1A005614	Dichtring (O-Ring)	1	
18	1F000082	Ölpeilstabrohr	1	
19	B010018	Sechskantschraube geflanscht M6x12	2	
20	1A005615	Dichtring (O-Ring)	1	
21	B010073	Sechskantschraube M6x25	16	
22	1A005613	Ölwanne kompl.	1	
23	1A005608	Dichtung	1	
24	1A005609	Ölablaßschraube	1	

Einheit	Motor
Code	01.07
Beschreibung	Einheit Kolben
Inspektion	1



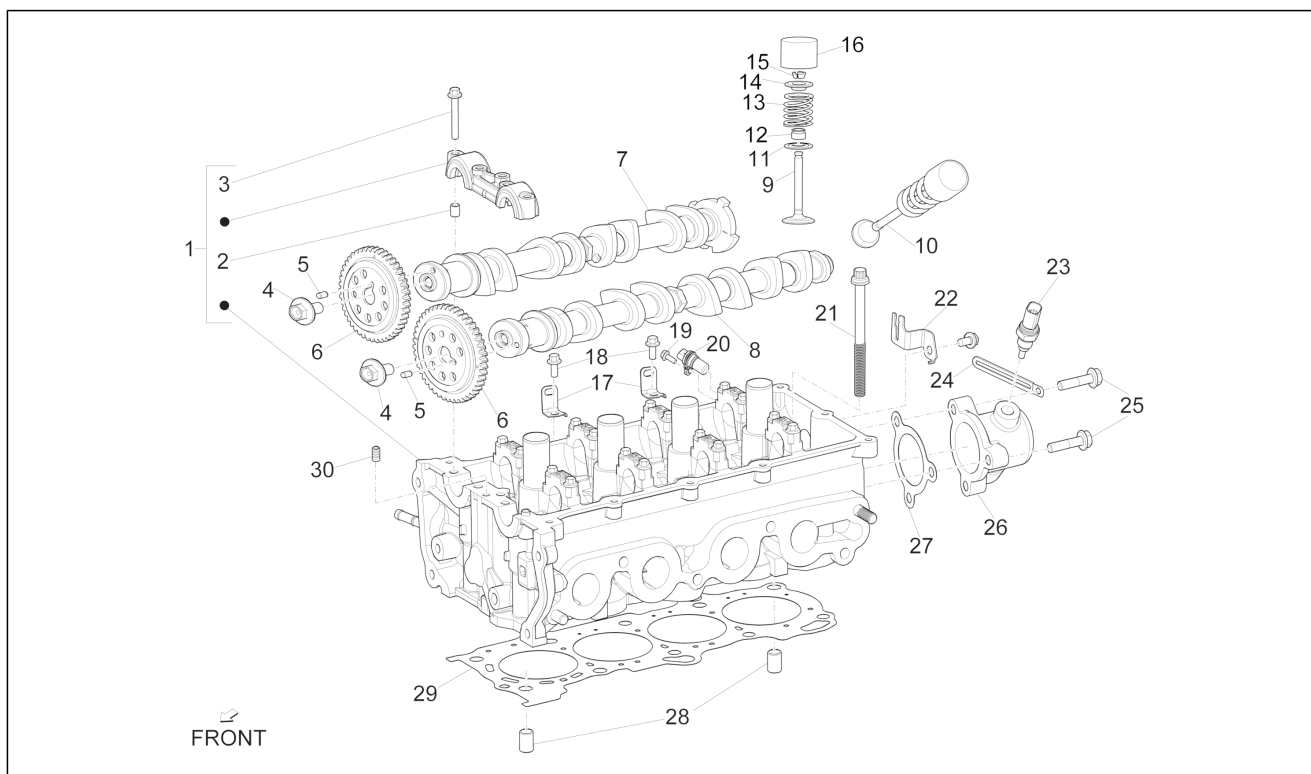
Pos.	Code	Beschreibung	Menge	Varianten
1	1A005558	Gekoppelte Pleuelstange	4	
2	1A005557	Schraube Pleuelfuß	8	
3	1A005492	Rückhaltering Kolbenbolzen	8	
4	1A005491	Bolzen	4	
5	1A005490	Kolben	4	
6	1A005493	Kompressionsring	4	
7	1A005494	Kompressionsring	4	
8	1A005495	Ölabstreifring	4	

Einheit	Motor
Code	01.08
Beschreibung	Einheit Kopf - Ventil
Inspektion	1



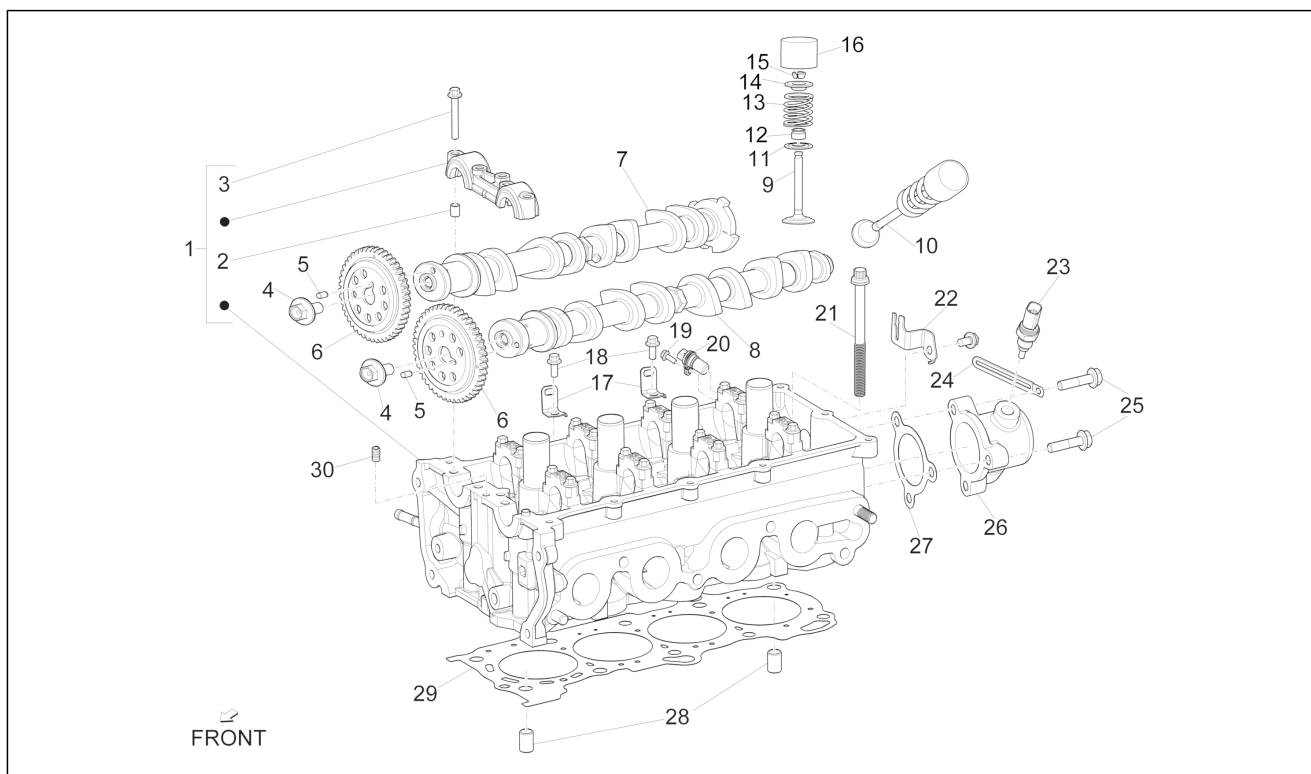
Pos.	Code	Beschreibung	Menge	Varianten
1	1A005496	Zylinderkopf	1	
2	1A005511	Feststellschraube	18	
3	1A005510	Sechskantschraube geflanscht M6x40	21	
4	1A005515	Sechskantschraube mit Flansch	2	
5	1A005516	Rolle	2	
6	1A005514	Ritzel Ventilsteuerung	2	
7	1A005512	Nockenwelle	1	
8	1A005513	Nockenwelle	1	
9	1A005499	Einlassventil	8	
10	1A005500	Auslassventil	8	
11	1A005502	Federteller unten	16	
12	1A005503	Ventil Dichtring	16	
13	1A005501	Ventilfeder	16	
14	1A005504	Federteller oben	16	
15	1A005505	Halbkegel	32	
16	CM282410	Ventilbecher kalibriert 3,10 mm	16	
16	CM282412	Ventilbecher kalibriert 3,12 mm	16	
16	CM282414	Ventilbecher kalibriert 3,14 mm	16	
16	CM282416	Ventilbecher kalibriert 3,16 mm	16	
16	CM282418	Ventilbecher kalibriert 3,18 mm	16	
16	CM282420	Ventilbecher kalibriert 3,20 mm	16	
16	CM282422	Ventilbecher kalibriert 3,22 mm	16	
16	CM282424	Ventilbecher kalibriert 3,24 mm	16	
16	CM282426	Ventilbecher kalibriert 3,26 mm	16	
16	CM282428	Ventilbecher kalibriert 3,28 mm	16	
16	CM282430	Ventilbecher kalibriert 3,30 mm	16	
16	CM282432	Ventilbecher kalibriert 3,32 mm	16	
16	CM282434	Ventilbecher kalibriert 3,34 mm	16	

Einheit	Motor
Code	01.08
Beschreibung	Einhait Kopf - Ventil
Inspektion	1



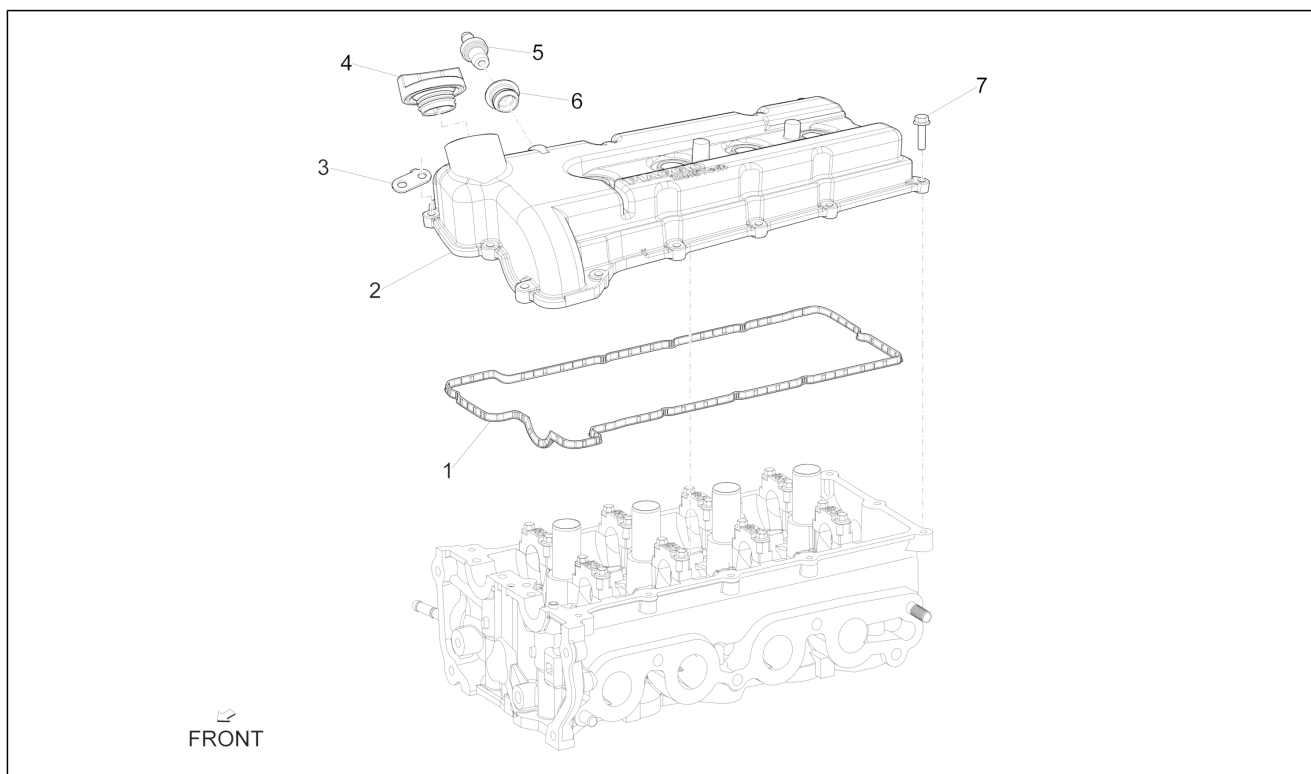
Pos.	Code	Beschreibung	Menge	Varianten
16	CM282436	Ventilbecher kalibriert 3,36 mm	16	
16	CM282438	Ventilbecher kalibriert 3,38 mm	16	
16	CM282440	Ventilbecher kalibriert 3,40 mm	16	
16	CM282442	Ventilbecher kalibriert 3,42 mm	16	
16	CM282444	Ventilbecher kalibriert 3,44 mm	16	
16	CM282446	Ventilbecher kalibriert 3,46 mm	16	
16	CM282448	Ventilbecher kalibriert 3,48 mm	16	
16	CM282450	Ventilbecher kalibriert 3,50 mm	16	
16	CM282452	Ventilbecher kalibriert 3,52 mm	16	
16	CM282454	Ventilbecher kalibriert 3,54 mm	16	
16	CM282456	Ventilbecher kalibriert 3,56 mm	16	
16	CM282458	Ventilbecher kalibriert 3,58 mm	16	
16	CM282460	Ventilbecher kalibriert 3,60 mm	16	
16	CM282462	Ventilbecher kalibriert 3,62 mm	16	
16	CM282464	Ventilbecher kalibriert 3,64 mm	16	
16	CM282466	Ventilbecher kalibriert 3,66 mm	16	
16	CM282468	Ventilbecher kalibriert 3,68 mm	16	
16	CM282470	Ventilbecher kalibriert 3,70 mm	16	
16	CM282472	Ventilbecher kalibriert 3,72 mm	16	
16	CM282474	Ventilbecher kalibriert 3,74 mm	16	
16	CM282476	Ventilbecher kalibriert 3,76 mm	16	
16	CM282478	Ventilbecher kalibriert 3,78 mm	16	
16	CM282480	Ventilbecher kalibriert 3,80 mm	16	
16	CM282482	Ventilbecher kalibriert 3,82 mm	16	
16	CM282484	Ventilbecher kalibriert 3,84 mm	16	
16	CM282486	Ventilbecher kalibriert 3,86 mm	16	
16	CM282488	Ventilbecher kalibriert 3,88 mm	16	
17	1A005528	Platte	2	

Einheit	Motor
Code	01.08
Beschreibung	Einheit Kopf - Ventil
Inspektion	1



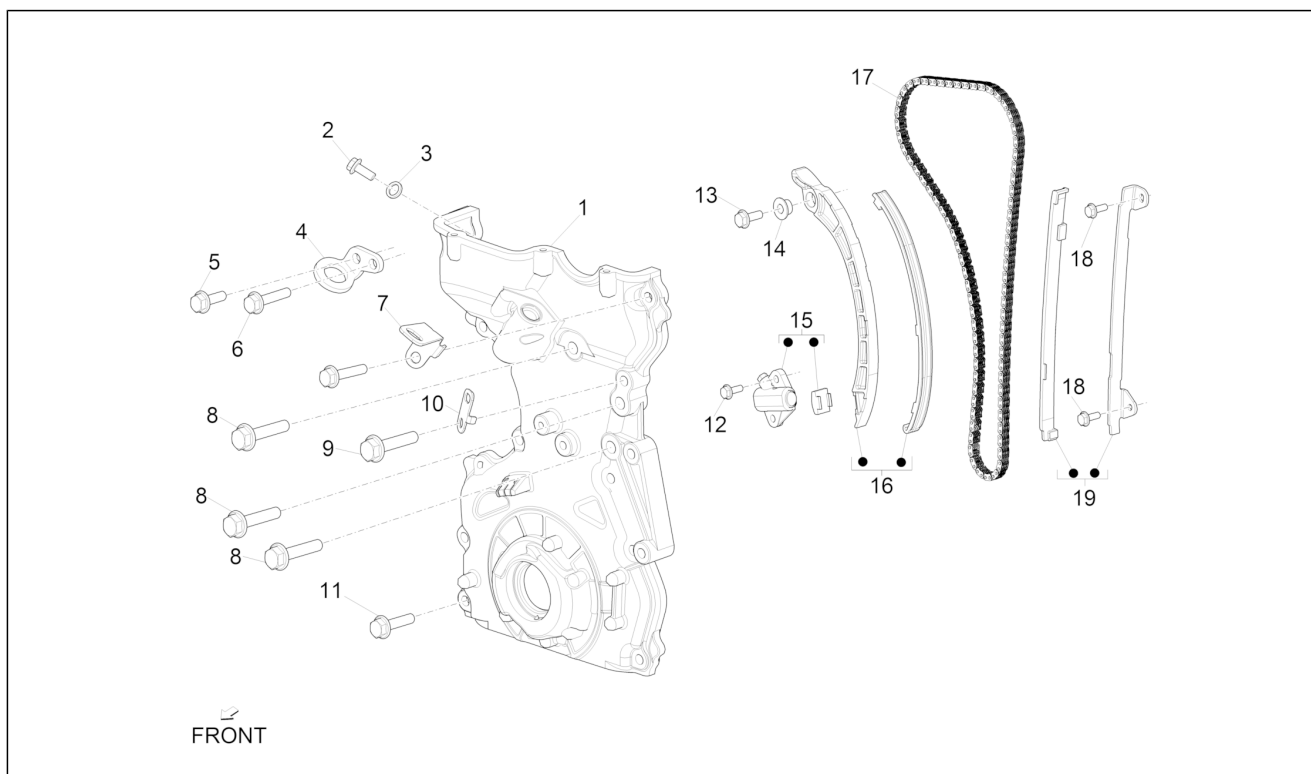
Pos.	Code	Beschreibung	Menge	Varianten
18	1A005532	Sechskantschraube geflanscht M8x16	2	
19	1A005527	Sechskantschraube mit Flansch	1	
20	1A005518	Sensor Einlass-Nockenwelle	1	
21	1A005489	Sechskantschraube geflanscht	10	
22	1A005534	Platte	1	
23	1A005522	Temperaturfühler	1	
24	1A005523	Platte	1	
25	1A005482	Sechskantschraube mit Flansch M8x35	3	
26	1A005521	Anschl. Wasseraus.	1	
27	1A005520	Dichtung	1	
28	1A005477	Feststellschraube	2	
29	1A005488	Zylinder/Kopf Dichtung	1	
30	1A005498	Kalibrierte Düse	1	

Einheit	Motor
Code	01.10
Beschreibung	Zylinderkopfabdeckung
Inspektion	1



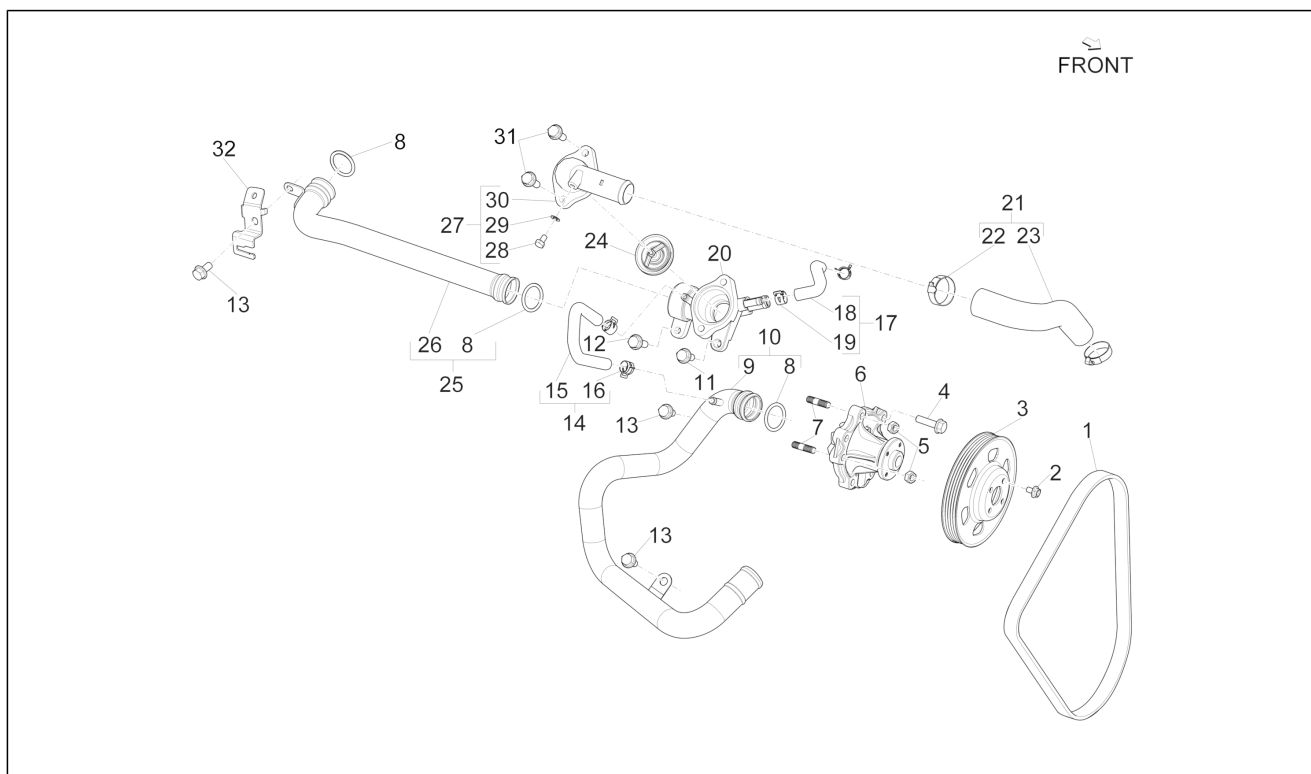
Pos.	Code	Beschreibung	Menge	Varianten
1	1A005507	Dichtung	1	
2	1A003094	Kopfdeckel	1	
3	1A005533	Platte	1	
4	1A005524	Ölschraube	1	
5	1A005526	PCV-Ventil	1	
6	1A005525	Distanzscheibe	1	
7	B010073	Sechskantschraube M6x25	16	

Einheit	Motor
Code	01.14
Beschreibung	Ventilsteuerungsriemen und Deckel
Inspektion	1



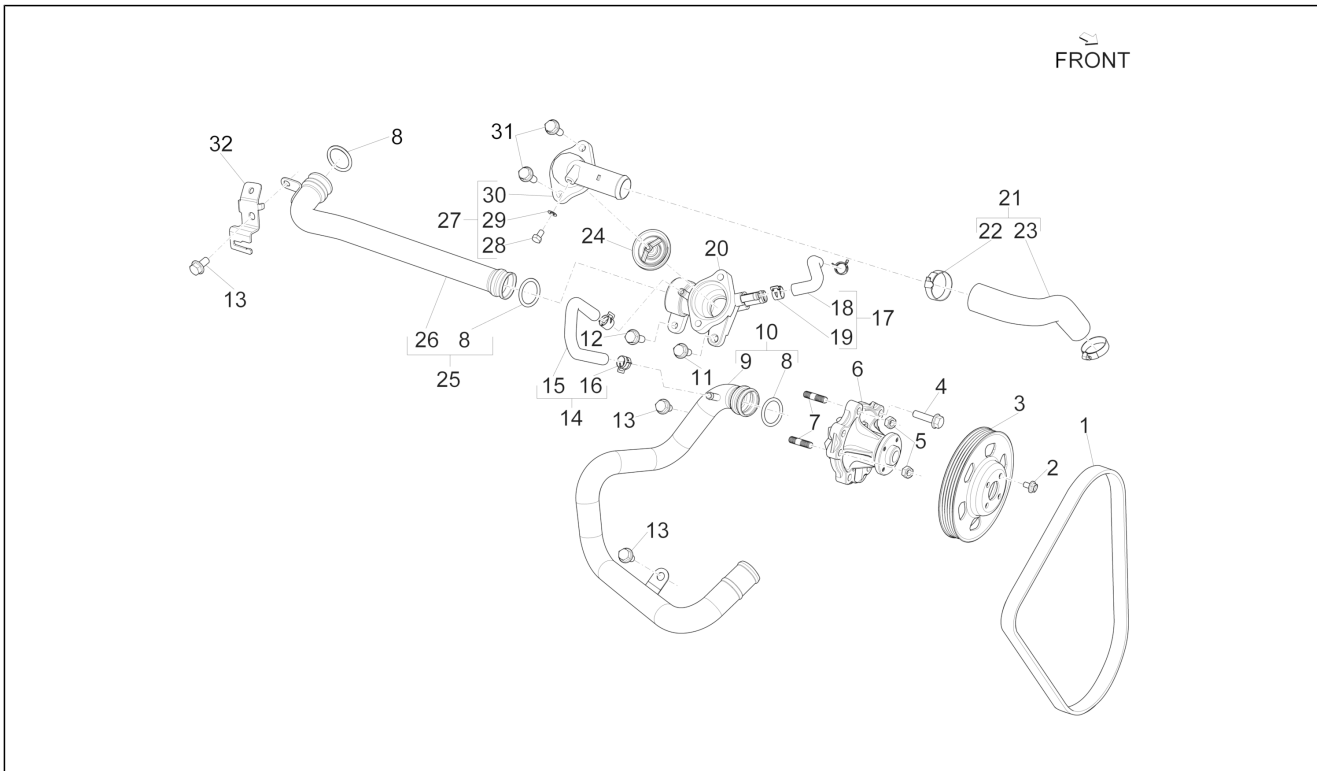
Pos.	Code	Beschreibung	Menge	Varianten
1	1A005536	Steuer Deckel kpl.	1	
2	1A005539	Sechskantschraube mit Flansch M8x16	1	
3	1A005540	Dichtung	1	
4	1A005537	Verstellbügel	1	
5	B010079	Sechskantschraube geflanscht M8x20	1	
6	1A005482	Sechskantschraube mit Flansch M8x35	1	
7	1A005542	Platte	1	
8	1A005538	Sechskantschraube geflanscht M10x1.25x40	3	
9	B010231	Sechskantschraube geflanscht M8x40	1	
10	1A005541	Platte	1	
11	B010221	Sechskantschraube geflanscht M8x30	10	
12	B010110	Sechskantschraube geflanscht M6x20	2	
13	B010101	Sechskantschraube geflanscht M8x25	1	
14	1A005544	Buchse	1	
15	1A005545	Kettenspanner	1	
16	1A005549	Kettenspanner Gleitbacke komplett	1	
17	1A005548	Steuerkette	1	
18	1A005543	Sechskantschraube mit Flansch M6x16	2	
19	1A005546	Feste Kettenspanner Gleitbacke	1	

Einheit	Motor
Code	01.16
Beschreibung	Wasserpumpe
Inspektion	1



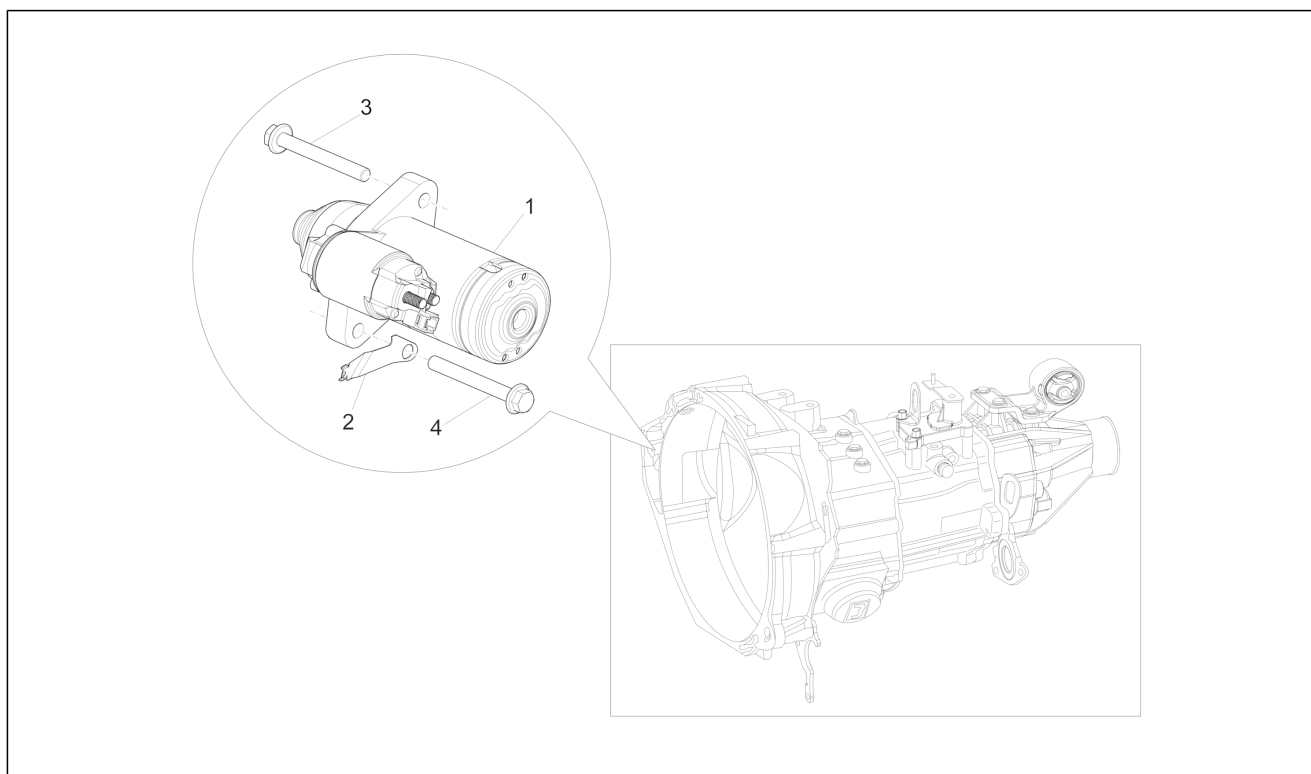
Pos.	Code	Beschreibung	Menge	Varianten
1	1A005573	Riemen Wasserpumpe	1	
2	1A005575	Sechskantschraube geflanscht	4	
3	1A005574	Riemenscheibe	1	
4	B010221	Sechskantschraube geflanscht M8x30	4	
5	1A005572	Sechskantmutter geflanscht M8	2	
6	1A005570	Wasserpumpeneinheit	1	
7	1A005571	Stiftschraube	2	
8	1A005578	Dichtring (O-Ring)	3	
9	1A005582	Wasserzulaufleitung	1	
10	1F000081	Wasserzulaufleitung kompl.	1	
11	B010079	Sechskantschraube geflanscht M8x20	1	
12	B010101	Sechskantschraube geflanscht M8x25	3	
13	1A005466	Sechskantschraube geflanscht M8x16	3	
14	1A005579	Bypass-Leitung komplett	1	
15	1A005580	By pass leitung	1	
16	1A005581	Schelle	2	
17	1A005586	Wasserleitung komplett	1	
18	1A005587	Wasserschlauch	1	
19	1A005581	Schelle	2	
20	1A005588	Gehäuse des Thermostats	1	
21	1A005583	Wasserleitung kompl. - Ausgang Thermostat	1	
22	1A005585	Schelle	2	
23	1A005584	Wasserleitung Ausgang Thermostat	1	
24	1A005593	Thermostat	1	
25	1A005576	Wasseraustrittsleitung komplett	1	
26	1A005577	Was.schl.aus.	1	
27	1A005589	Deckel Thermostat kompl.	1	
28	1A005592	Unterlegscheibe Entlüftung	1	

Einheit	Motor
Code	01.16
Beschreibung	Wasserpumpe
Inspektion	1



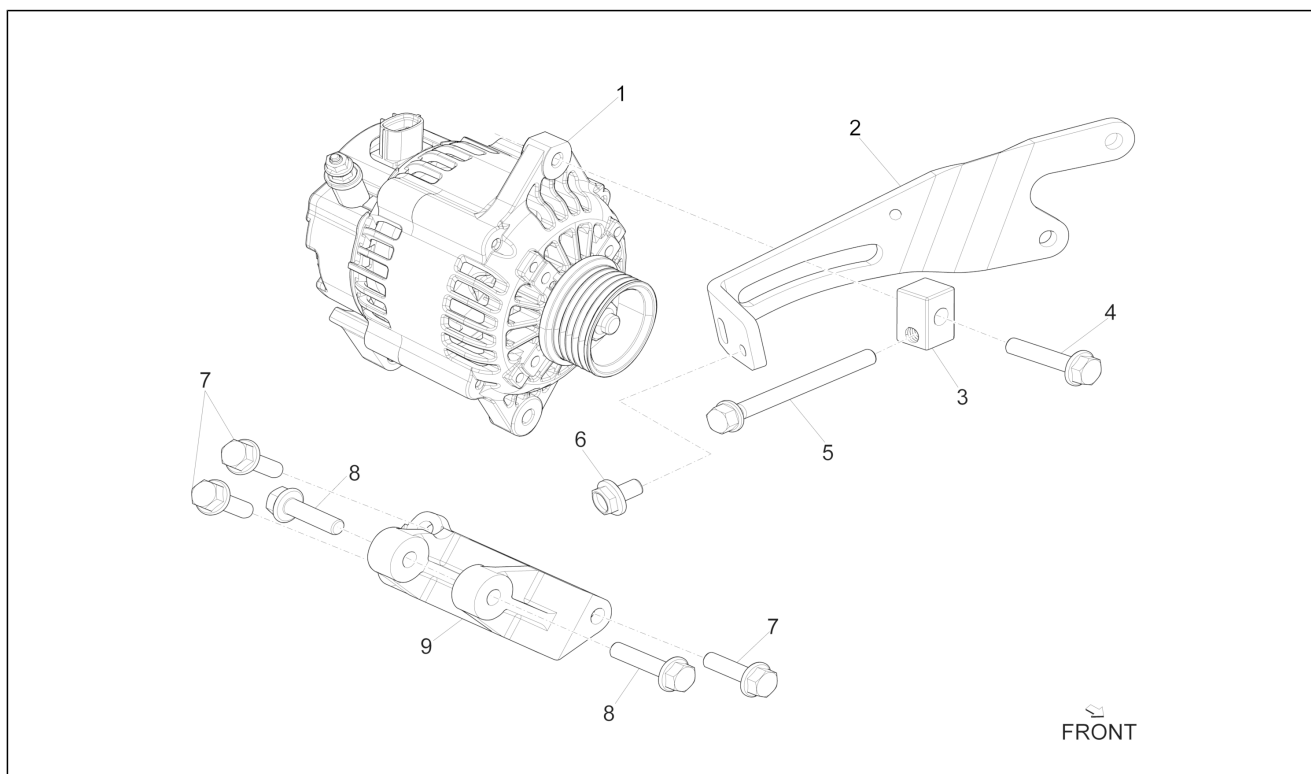
Pos.	Code	Beschreibung	Menge	Varianten
29	1A005591	Entlüftungsventil	1	
30	1A005590	Thermofühlerdeckel	1	
31	B010101	Sechskantschraube geflanscht M8x25	3	
32	1A017304	Bügel	1	

Einheit	Motor
Code	01.17
Beschreibung	Starter - Elektrischer starter
Inspektion	1



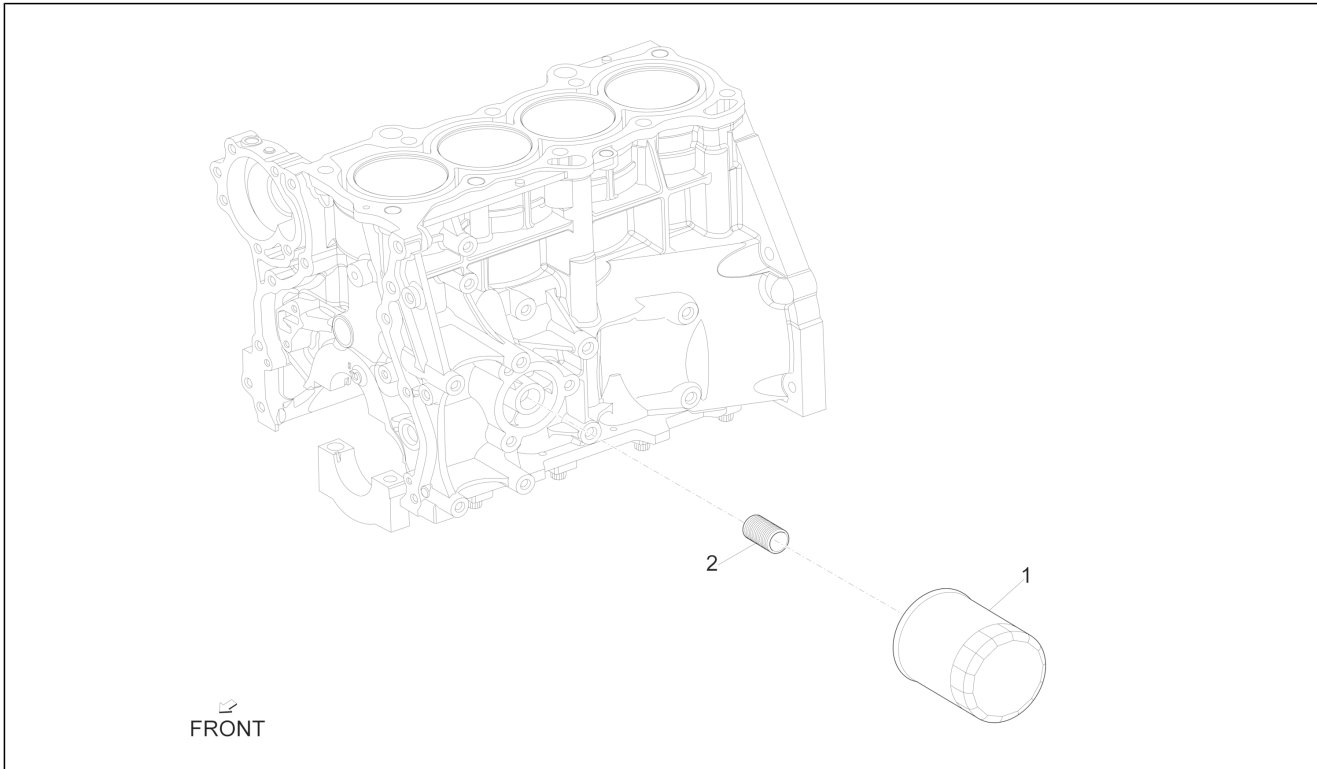
Pos.	Code	Beschreibung	Menge	Varianten
1	1A005666	Anlassermotor	1	
2	1A005663	Bügel	1	
3	1A005665	Sechskantschraube mit Flansch	2	
4	1A005667	Sechskantschraube geflanscht M10x1.25x75	1	

Einheit	Motor
Code	01.19
Beschreibung	Lichtmaschine
Inspektion	1



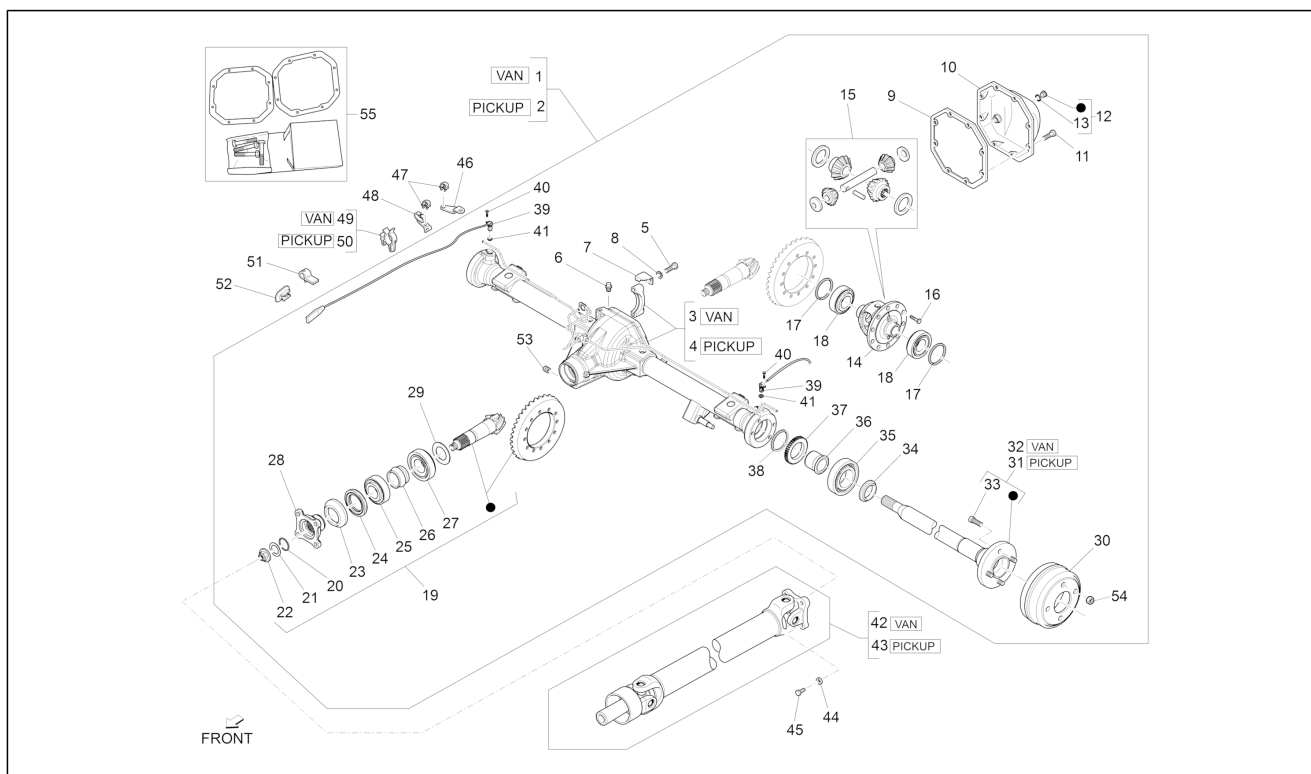
Pos.	Code	Beschreibung	Menge	Varianten
1	1A005658	Drehstromgenerator	1	
2	1F000084	Haltebügel Lichtmaschine	1	
3	1A005659	Schlupfbuchse	1	
4	B010231	Sechskantschraube geflanscht M8x40	1	
5	1A005660	Sechskantschraube mit Flansch	1	
6	B010018	Sechskantschraube geflanscht M6x12	1	
7	B010101	Sechskantschraube geflanscht M8x25	3	
8	B010221	Sechskantschraube geflanscht M8x30	2	
9	1A005664	Bügel Lichtmaschine	1	

Einheit	Motor
Code	01.21
Beschreibung	Ölfiler
Inspektion	1



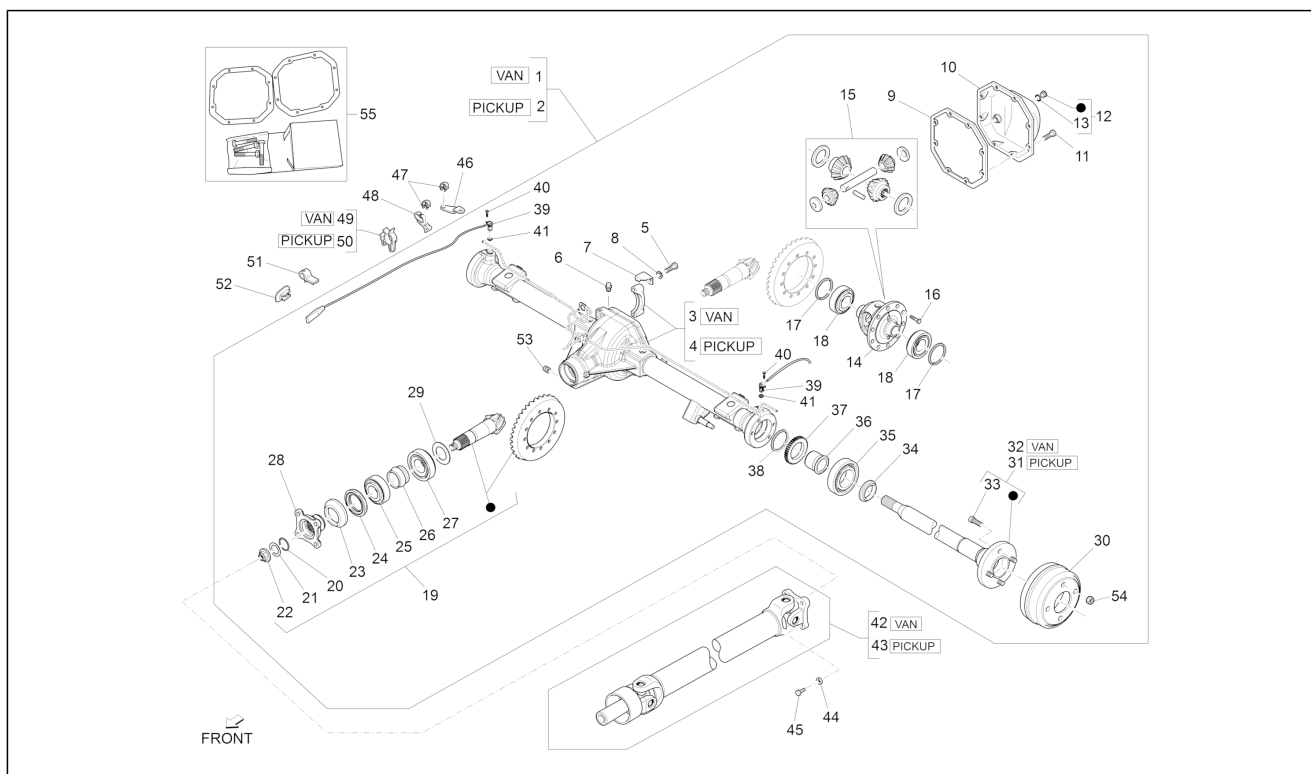
Pos.	Code	Beschreibung	Menge	Varianten
1	1A005610	Ölfilereinsatz	1	
2	1A005478	Spezialschraube Ölfiler	1	

Einheit	Motor
Code	01.25
Beschreibung	Hinterachsantrieb
Inspektion	1



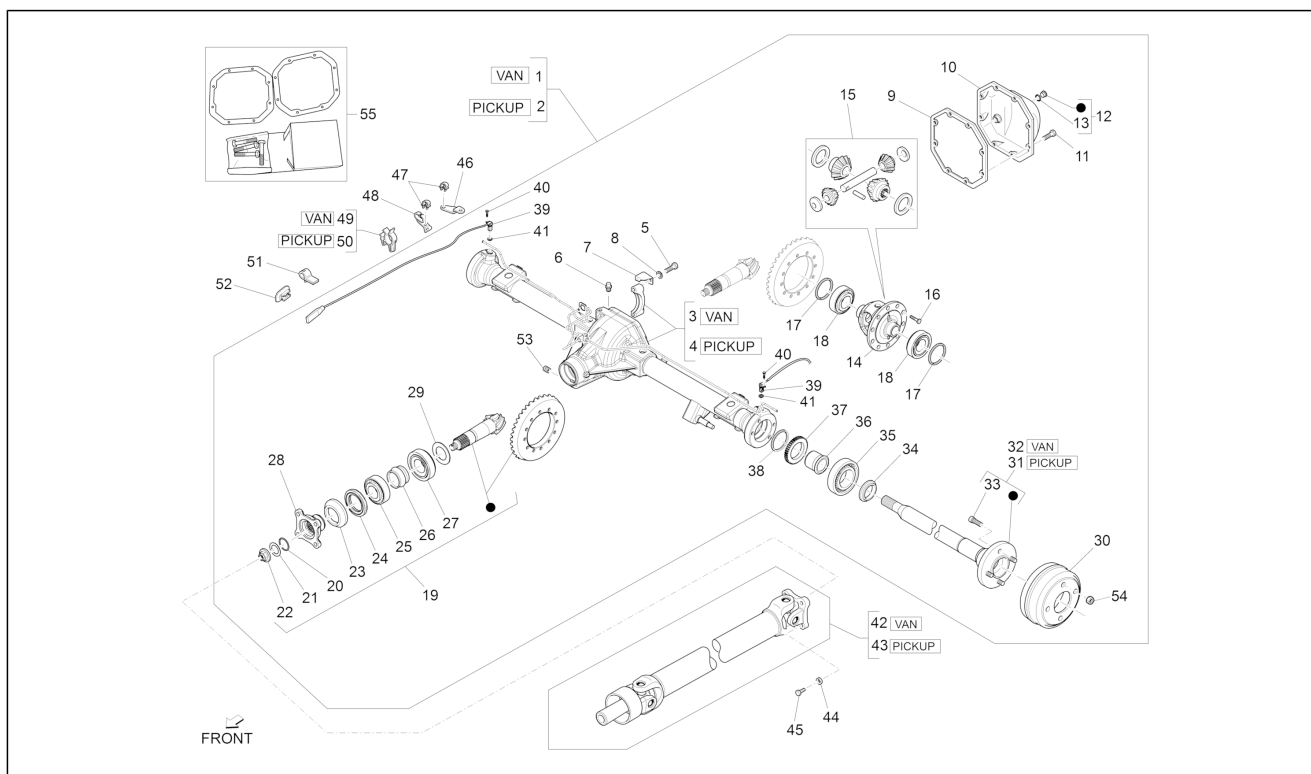
Pos.	Code	Beschreibung	Menge	Varianten
1	1E000883	Hinterachse kompl.	1	
2	1E000882	Hinterachse kompl.	1	
3	837177	Achskörper	1	
4	837178	Achskörper	1	
5	9004101607000	Schraubbolzen	4	
6	9004915043000	Entlüfter	1	
7	4131687Z01000	Blockierblech	2	
8	837109	Flachscheibe	1	
9	837161	Dichtung	1	
10	837163	Achsenabdeckung	1	
11	9004101609000	Schraubbolzen	8	
12	493434	Stutzenset	8	
13	493435	O-Ring	8	
14	837179	Differentialerkasten	1	
15	0441387Z01000	Satz Zahnräder	1	
16	9004109212000	Schraubbolzen	12	
17	9004564518000	Scheibe 5,1 mm	17	
17	9004564519000	Scheibe 5,2 mm	17	
17	9004564520000	Scheibe 5,3 mm	2	
17	9004564521000	Scheibe 5,4 mm	2	
17	9004564522000	Scheibe 5,5 mm	2	
17	9004564523000	Scheibe 5,6 mm	2	
17	9004564524000	Scheibe 5,7 mm	2	
17	9004564525000	Scheibe 5,8 mm	2	
17	9004564526000	Scheibe 5,9 mm	2	
17	9004564527000	Scheibe 6,0 mm	2	
18	9004366066000	Lager	2	
19	837176	Teilerradsatz kit	1	

Einheit	Motor
Code	01.25
Beschreibung	Hinterachsantrieb
Inspektion	1



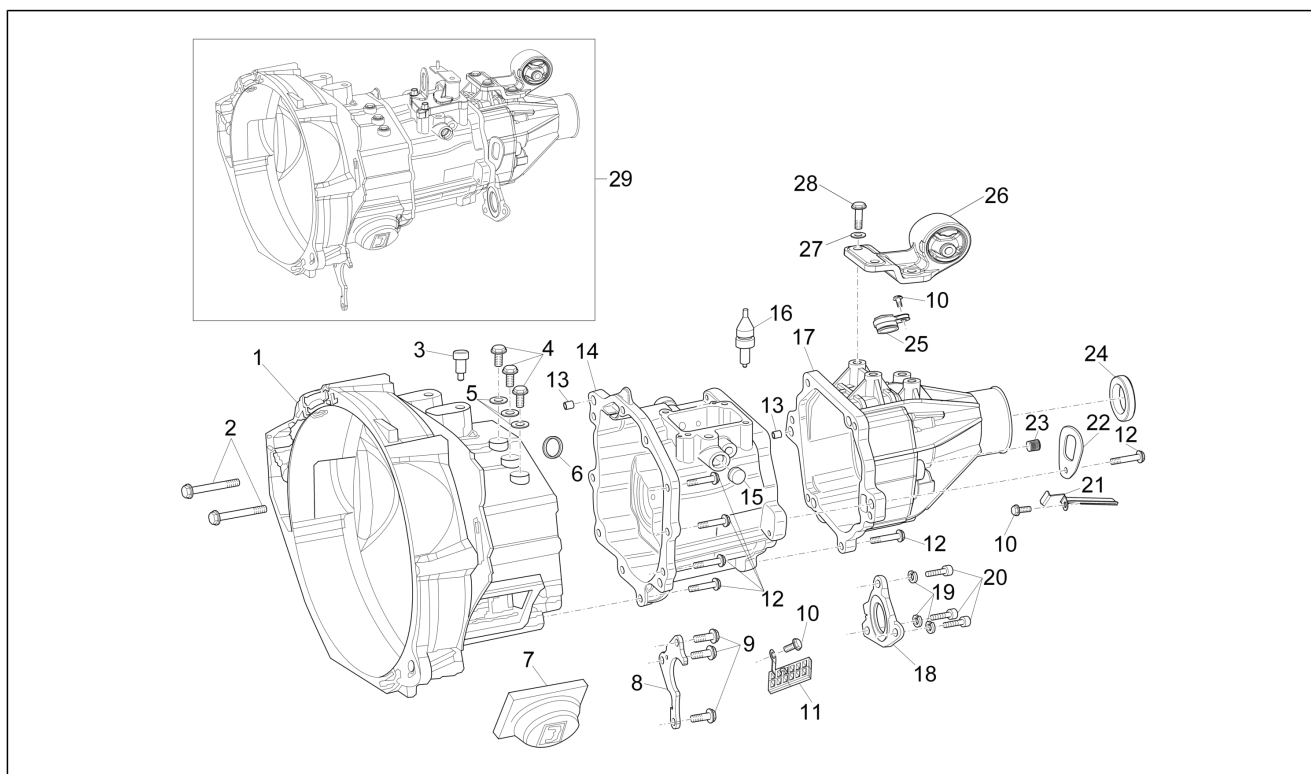
Pos.	Code	Beschreibung	Menge	Varianten
20	9004301252000	O-Ring	1	
21	9004201724000	Anlaufscheibe	1	
22	9004178044000	Mutter M18x1,5	1	
23	4125287Z01000	Staubschutz	1	
24	9004311330000	Gasket ring	1	
25	9004366065000	Lager	1	
26	4123187Z01000	Distanzscheibe	1	
27	9004366067000	Lager	1	
28	4125187Z01000	Flansch komplett	1	
29	9004564508000	Scheibe 2,5 mm	1	
29	9004564509000	Scheibe 2,6 mm	1	
29	9004564510000	Scheibe 2,7 mm	1	
29	9004564511000	Scheibe 2,8 mm	1	
29	9004564512000	Scheibe 2,9 mm	1	
29	9004564513000	Scheibe 3,0 mm	1	
29	9004564514000	Scheibe 3,1 mm	1	
29	9004564515000	Scheibe 3,2 mm	1	
29	9004564516000	Scheibe 3,3 mm	1	
29	9004564517000	Scheibe 3,4 mm	1	
30	4243187Z03000	Hintere Bremstrommel	2	
31	837174	Achswelle L=618	1	
32	837175	Achswelle L=668	1	
33	9004912054000	Bolzen radnabe	8	
34	4232987Z01000	Distanzscheibe	2	
35	9004363243000	Radialkugellager	2	
36	837162	Buchse	2	
37	837171	Phonic wheel	2	
38	837220	Gasket ring	2	

Einheit	Motor
Code	01.25
Beschreibung	Hinterachsantrieb
Inspektion	1



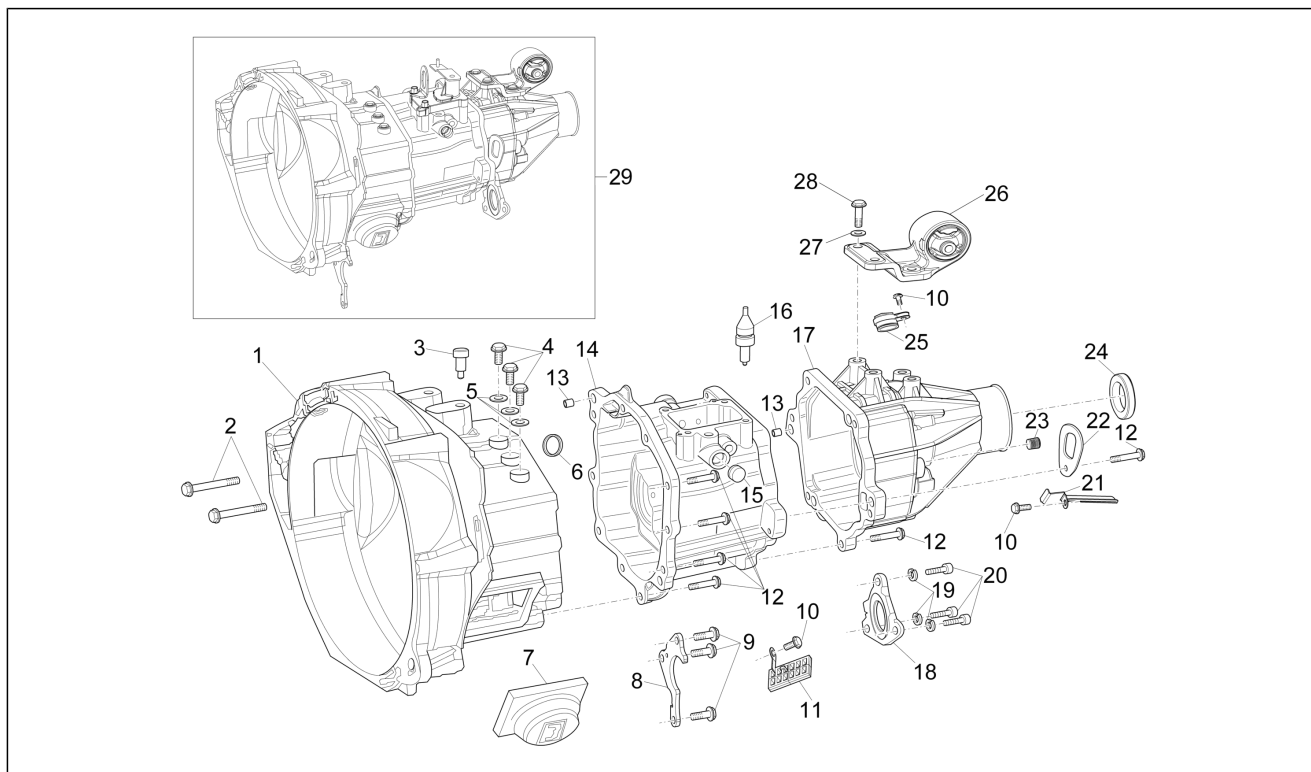
Pos.	Code	Beschreibung	Menge	Varianten
39	B000526	Hinterer ABS-Sensor	2	
40	837158	Sechskantschraube	2	
41	837159	Ring	2	
42	CM038102	Hauptwelle	1	
43	CM038103	Hauptwelle	1	
44	9451201000000	Onduflex u.scheibe	4	
45	264451	Sechskantschraube	4	
46	B005349	Winkel	2	
47	191002	Kleine Feder	4	
48	B005350	Kabelhalterung hinten rechts	1	
49	B005868	Kleine Feder	2	
50	B005867	Kleine Feder	2	
51	B005030	Schelle	2	
52	B005629	Molletta	2	
53	9004341070000	Deckel	1	
54	837221	Mutter	8	
55	850667	Servicekit Hinterachse	1	

Einheit	Motor
Code	01.26
Beschreibung	Getriebegehäuse
Inspektion	1



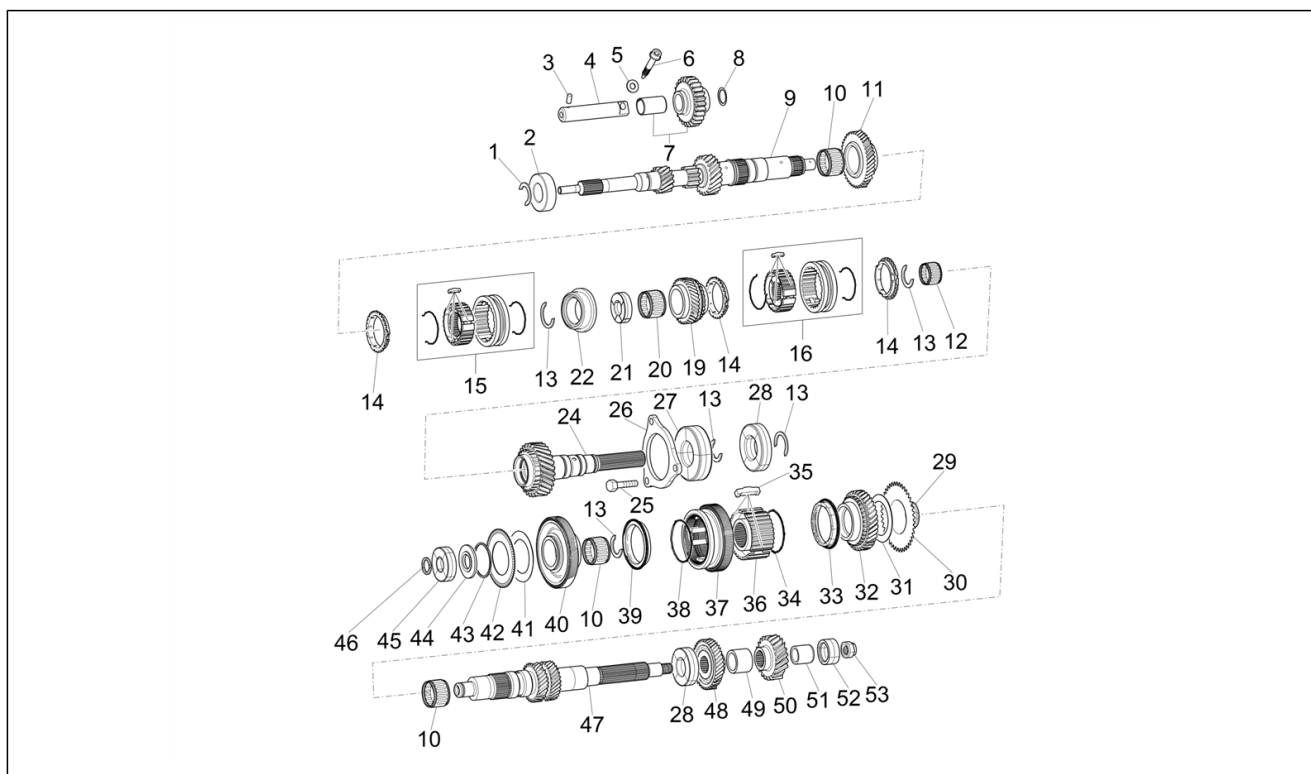
Pos.	Code	Beschreibung	Menge	Varianten
1	1A005723	Gehäuse Kupplungsglocke	1	
2	1A005734	Sk-Schraube	2	
3	B010255	Entlüftung	1	
4	B010258	TE Schr. m. Flansch M10x20	3	
5	1A005724	Flachscheibe	3	
6	B010256	Gasket ring	1	
7	1A005742	Staubschutzblech	1	
8	B010262	Lagerhalteplatte	1	
9	1A005725	Sechskantschraube mit Flansch	3	
10	1A005735	Sechskantschraube geflanscht M6x16	3	
11	B010269	Magnet	1	
12	1A005740	Sk-Schraube	14	
13	1A005744	Haltestein	2	
14	1A005168	Zwischengehäuse Getriebe	1	
15	B010275	Verschlusschraube	1	
16	B010274	Rückwärtsgangsensor	1	
17	1A005736	Getriebegehäusedeckel	1	
18	1A005730	Deckel	1	
19	1A005733	Flachscheibe	3	
20	1A005732	Sechskantschraube mit Flansch	3	
21	B010277	Platte	1	
22	B010262	Lagerhalteplatte	1	
23	B010279	Konischer Stopfen Ablass und Laden	1	
24	B010284	Gasket ring	1	
25	1A005741	Kappe Staubschutzring	1	
26	1A005469	Haltebügel	1	
27	1A005474	Flachscheibe	4	
28	1A005473	Sechskantschraube Feingewinde M10x1.25x30	4	

Einheit	Motor
Code	01.26
Beschreibung	Getriebegehäuse
Inspektion	1



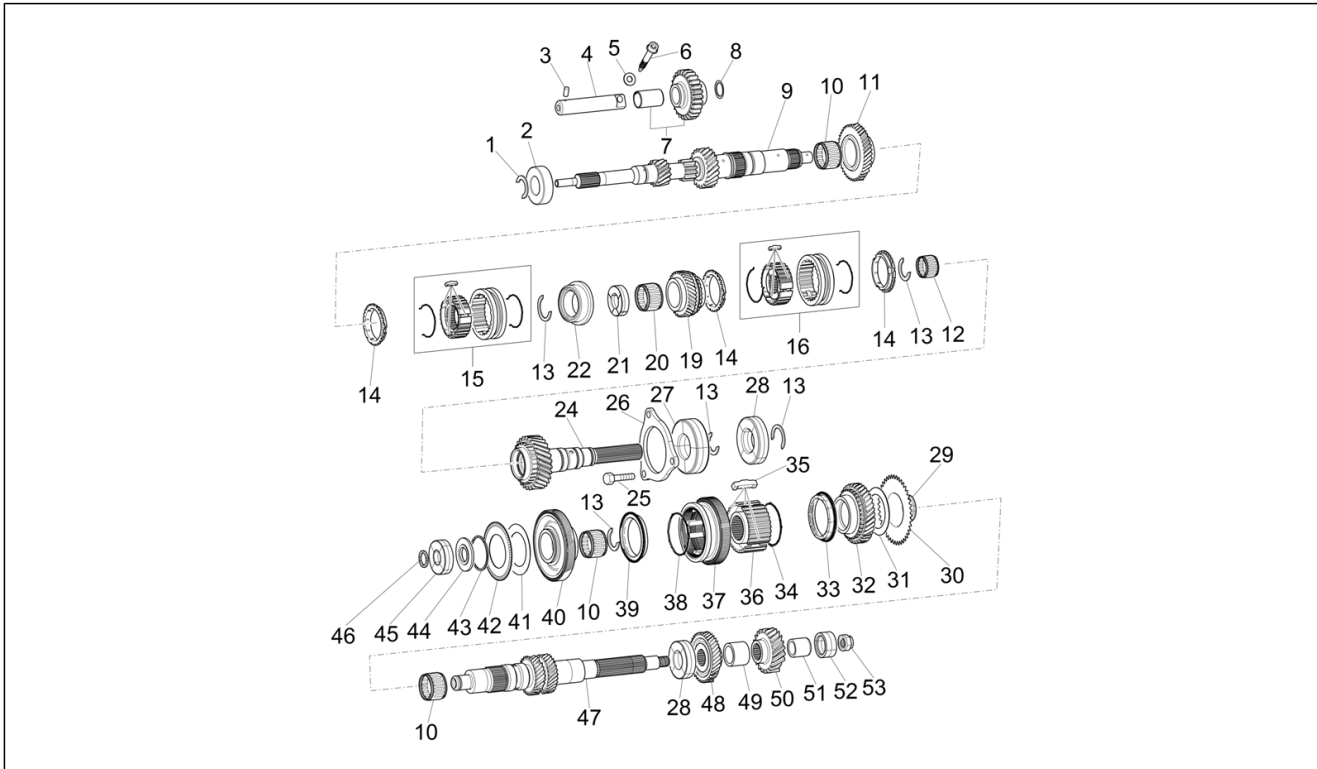
Pos.	Code	Beschreibung	Menge	Varianten
29	1A003837	Getriebe komplett	1	

Einheit	Motor
Code	01.27
Beschreibung	Schaltgetriebe
Inspektion	1



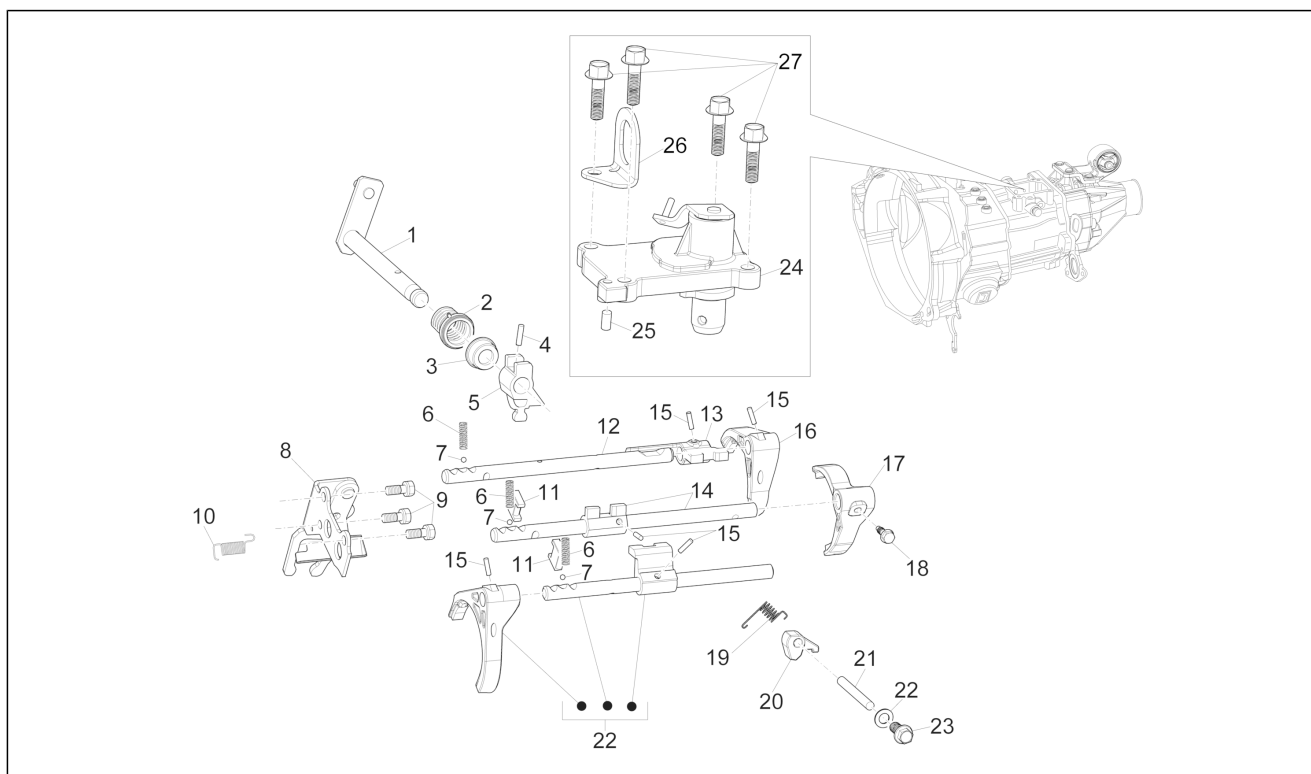
Pos.	Code	Beschreibung	Menge	Varianten
1	B010297	Sprengring	1	
2	B010296	Kugellager	1	
3	1A005765	Stift	1	
4	1A005771	Welle f ³ r r ³ ckw ³ rtsgang	1	
5	B010464	Flachscheibe	1	
6	B010463	TCEI Schraube	1	
7	B010459	Vorgelegewelle Rückwärtsgang	1	
8	B010462	Flachscheibe	1	
9	1A005161	Vorgelegewelle	1	
10	B010298	Nadelkaefig	3	
11	B010299	Antriebszahnrad 5 Übersetzungen	1	
12	B010311	Nadelkaefig	1	
13	B010305	Sprengring	5	
14	B011561	Synchronring nr.1	3	
15	1R000330	Schaltgruppe hohe Gänge	4	
16	B010929	Schaltgruppe hohe Gänge	2	
19	B010885	Antriebszahnrad 3 Übersetzungen	1	
20	B010308	Nadelkaefig	1	
21	1A005750	Rollenlager	1	
22	B010306	Distanzscheibe	1	
24	1A005754	Hauptwelle	1	
25	1A005757	Sechskantschraube mit Flansch	3	
26	1A005755	Platte	1	
27	B010314	Kugellager	1	
28	B010319	Kugellager	2	
29	1A005772	Ring	1	
30	1A005777	Zahnrad	1	
31	1A005776	Deckel	1	

Einheit	Motor
Code	01.27
Beschreibung	Schaltgetriebe
Inspektion	1



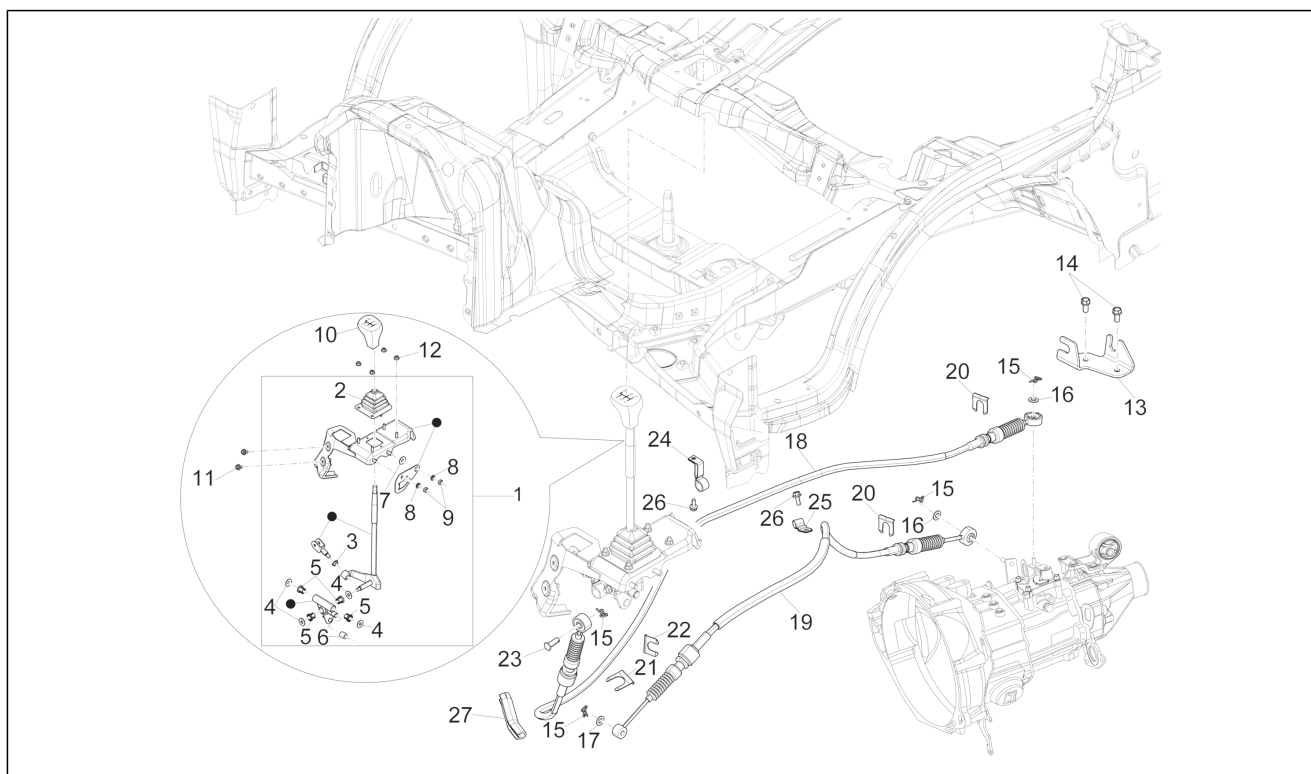
Pos.	Code	Beschreibung	Menge	Varianten
32	1A005775	Geführtes Zahnrad 1. Gang	1	
33	B011560	Synchronring 2. Gang	1	
34	B010330	Feder Synchronring	1	
35	B010332	Stift	3	
36	B010333	Nabe niedriger Gang	1	
37	B010331	Muffe niedriger Gang	1	
38	B010330	Feder Synchronring	1	
39	B010895	Synchronring nr.1	1	
40	1A005762	Geführtes Zahnrad 1. Gang	1	
41	1A005774	Deckel	1	
42	1A005773	Zahnrad Rückwärtsgang	1	
43	1A005772	Ring	1	
44	1A005761	Umleiter	1	
45	B010323	Kugellager	1	
46	B010322	Sprengtring	1	
47	B010338	Festrads	1	
48	B010896	Angetriebenes Zahnrad 3. Gang	1	
49	B010452	Distanzscheibe	1	
50	1A005763	Geführtes Zahnrad 4. Gang	1	
51	B010454	Buchse	1	
52	1A005764	Kugellager	1	
53	B010456	Mutter	1	

Einheit	Motor
Code	01.28
Beschreibung	Schalthebel
Inspektion	1



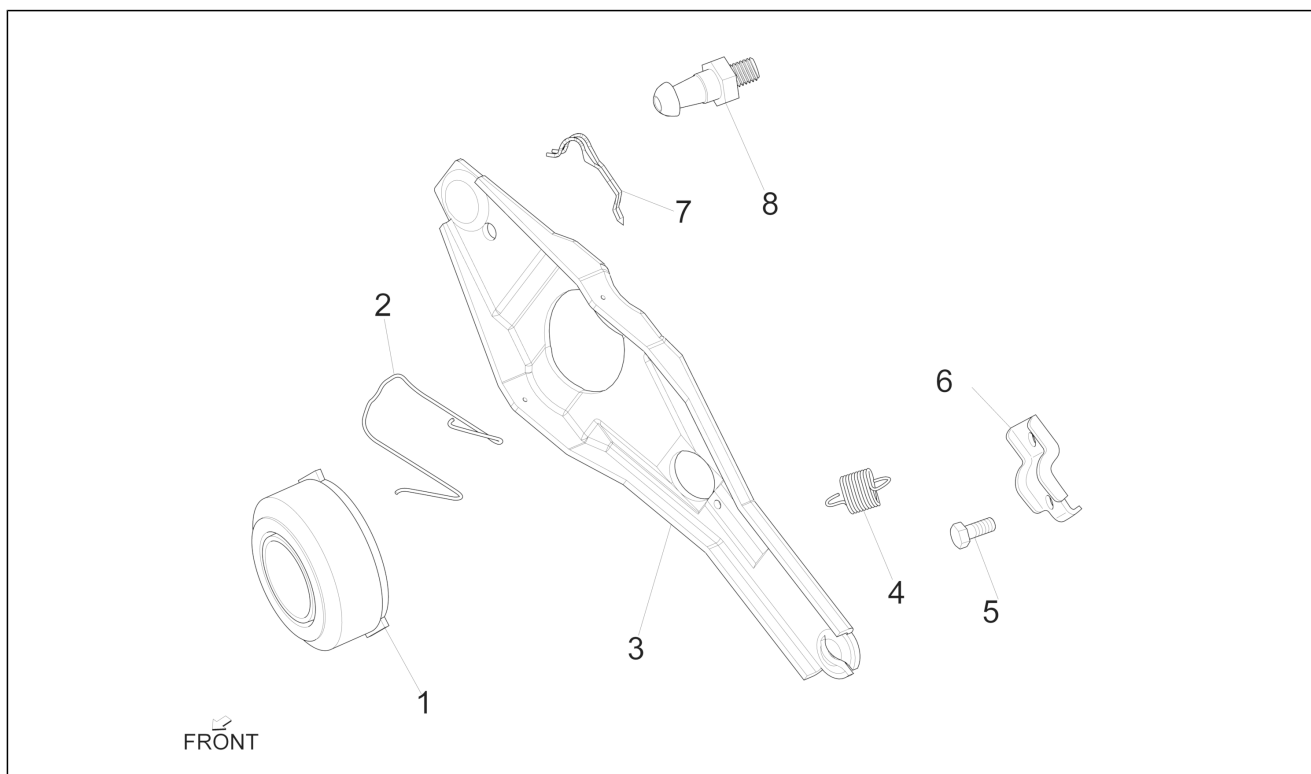
Pos.	Code	Beschreibung	Menge	Varianten
1	1A005800	Stange	1	
2	1A005803	Mutter	1	
3	1A005793	Ring	1	
4	1A005789	Bolzen	1	
5	1A005794	Schalthebel	0	
6	B010492	Gangwahlfeder	3	
7	1A005799	Kugel	3	
8	B010506	Betätigungshebel Rückwärtsgang	1	
9	1A005797	Sechskantschraube mit Flansch M8x20	3	
10	1A005796	Feder	1	
11	B010499	Einsatz	2	
12	B010501	Regelstange	1	
13	B010502	Gabel V	1	
14	1A005804	Stange	1	
15	1A005798	Bolzen	2	
16	B010500	Gabel V-R Gang	1	
17	B010493	Gabel 3.-4. Gang	1	
18	B010496	TE Schr. m. Flansch	1	
19	1A005801	Feder	1	
20	B010484	Schutzvorrichtung Rückwärtsgang	1	
21	1A005795	Sicherheitsbolzen	1	
22	B010931	ZSB Betätigung 1.-2. Gang	1	
23	B010487	TE Schr. m. Flansch	1	
24	1A005788	Deckel Schaltung	1	
25	1A005792	Bolzen	1	
26	1A005791	Bügel	1	
27	1A005790	Sechskantschraube mit Flansch	4	

Einheit	Motor
Code	01.29
Beschreibung	Interne Schaltsegmente
Inspektion	1



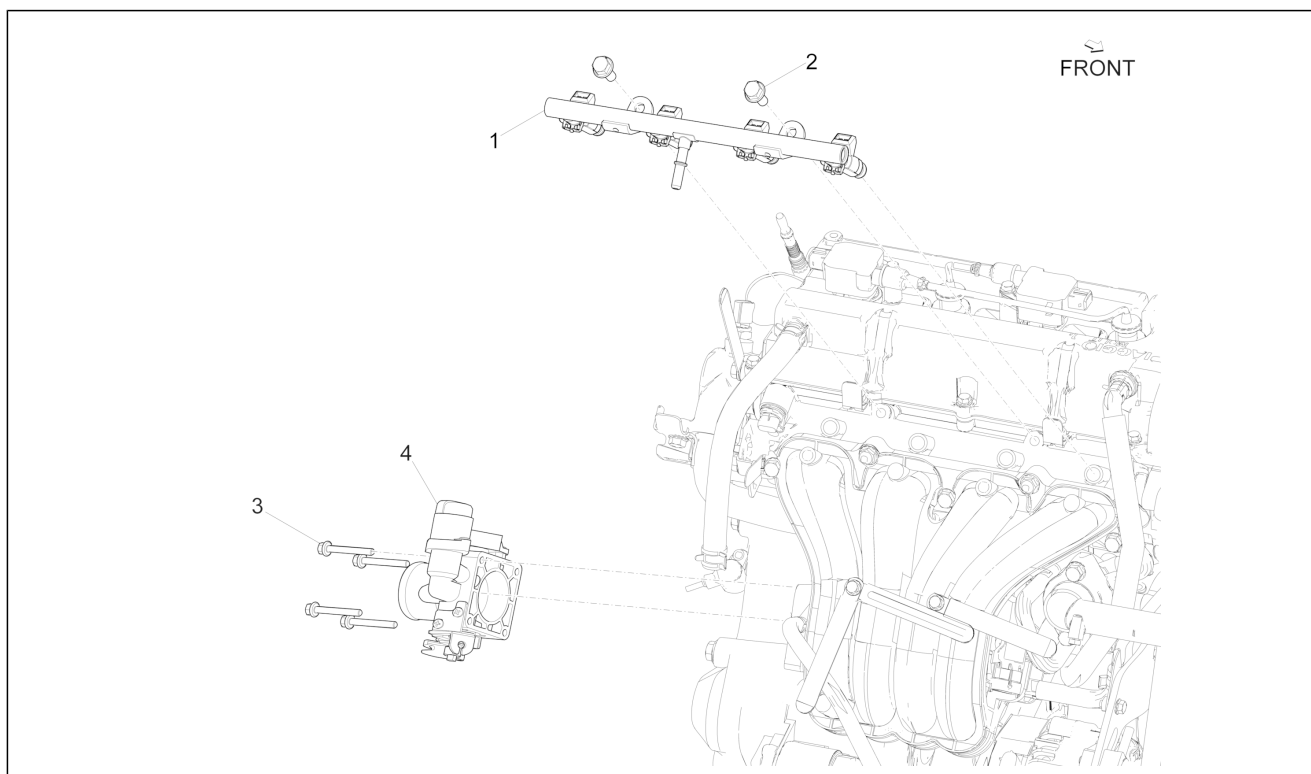
Pos.	Code	Beschreibung	Menge	Varianten
1	B007293	Schalthebel	1	
2	3355587Z02000	Staubschutz schaltknüppel	1	
3	3354887Z01000	Buchse	1	
4	9004386116000	Buchse	4	
5	9671119014000	O-Ring 17,6x13,8	4	
6	9004386117000	Buchse	1	
7	9461310800000	Unterlegscheibe	2	
8	D9451100800	Unterlegscheibe	4	
9	9412040800000	Mutter	4	
10	B004453	Knauf schalthebel	1	
11	D9166140612	Schraubbolzen	2	
12	261322	Mutter	4	
13	1E001470	Anschlagbügel Schaltzüge	1	
14	D9161160818	TE Schr. m. Flansch	2	
15	B005054	Klammer	4	
16	D9461410800	Flachscheibe	2	
17	D9461110800	Flachscheibe	1	
18	1E000546	Schaltzug Gang einlegen	1	
19	1E001469	Schaltzug Gangwahl	1	
20	B005055	Schelle	2	
21	B005053	Schelle	1	
22	B005056	Schelle	1	
23	D9004243017	Bolzen	1	
24	D9004461423	Schelle	1	
25	B005352	Schelle	1	
26	D9165160618	Flanschschraube	2	
27	CM022202	Dichtung	1	

Einheit	Motor
Code	01.30
Beschreibung	Kupplung
Inspektion	1



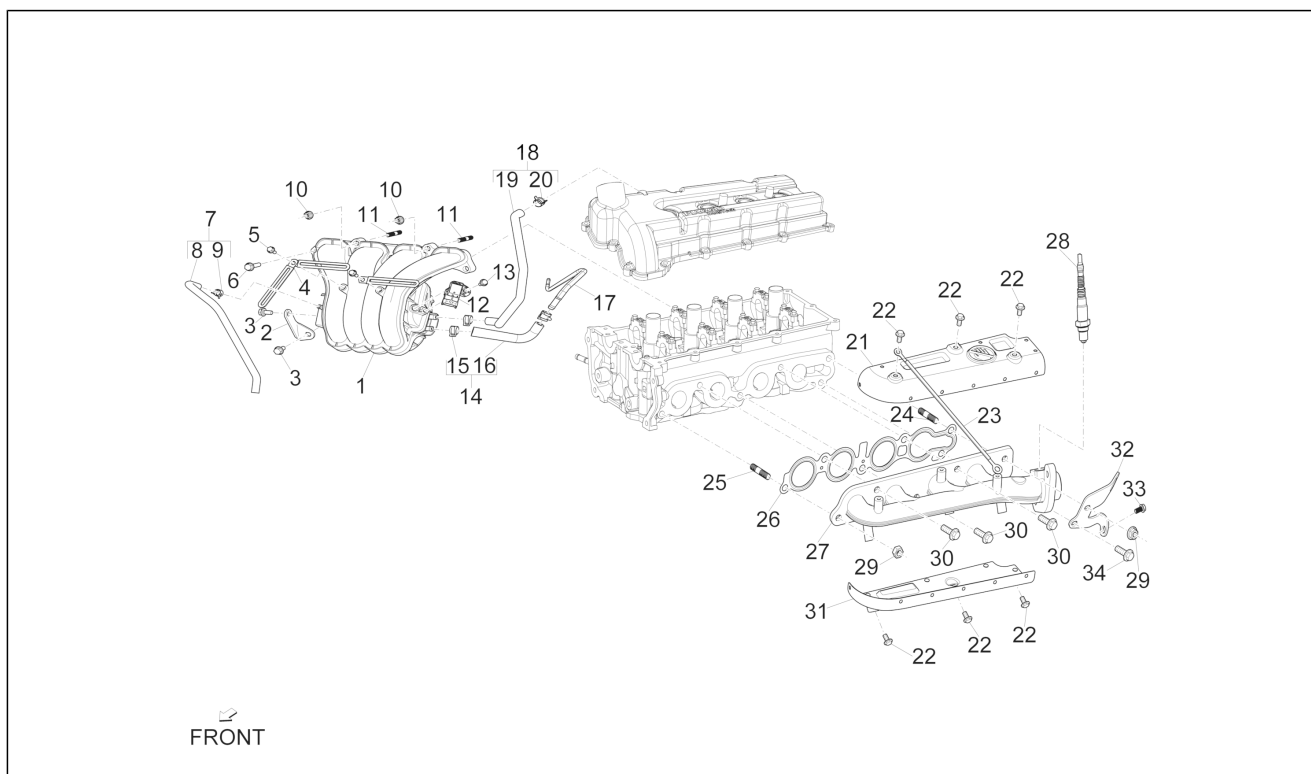
Pos.	Code	Beschreibung	Menge	Varianten
1	1A005162	Andrückfeder	1	
2	B010292	Klammer	1	
3	1A005780	Kupplungshebel	1	
4	B010294	Feder	1	
5	1A005782	Sechskantschraube geflanscht M6x16	1	
6	1A005781	Feder	1	
7	B010288	Kleine Feder	1	
8	B010287	Spezialschraube	1	

Einheit	Motor
Code	01.32
Beschreibung	Drosselkörper und Einspritzdüsen
Inspektion	1



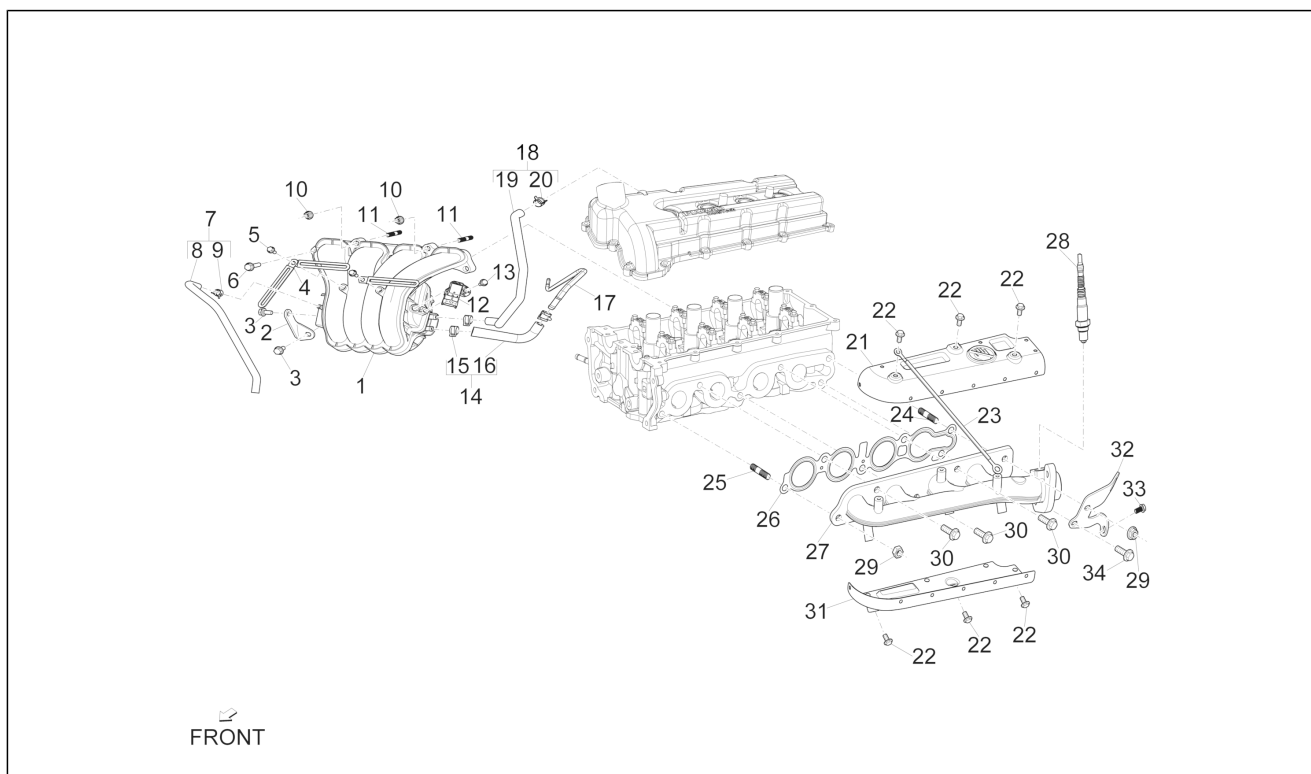
Pos.	Code	Beschreibung	Menge	Varianten
1	1A005616	Rail komplett	1	
2	1A005466	Sechskantschraube geflanscht M8x16	2	
3	1A005623	Sechskantschraube mit Flansch M6x40	4	
4	1A005622	Drosselkörper für Einspritzung	1	

Einheit	Motor
Code	01.33
Beschreibung	Einlass- und Auslassstutzen
Inspektion	1



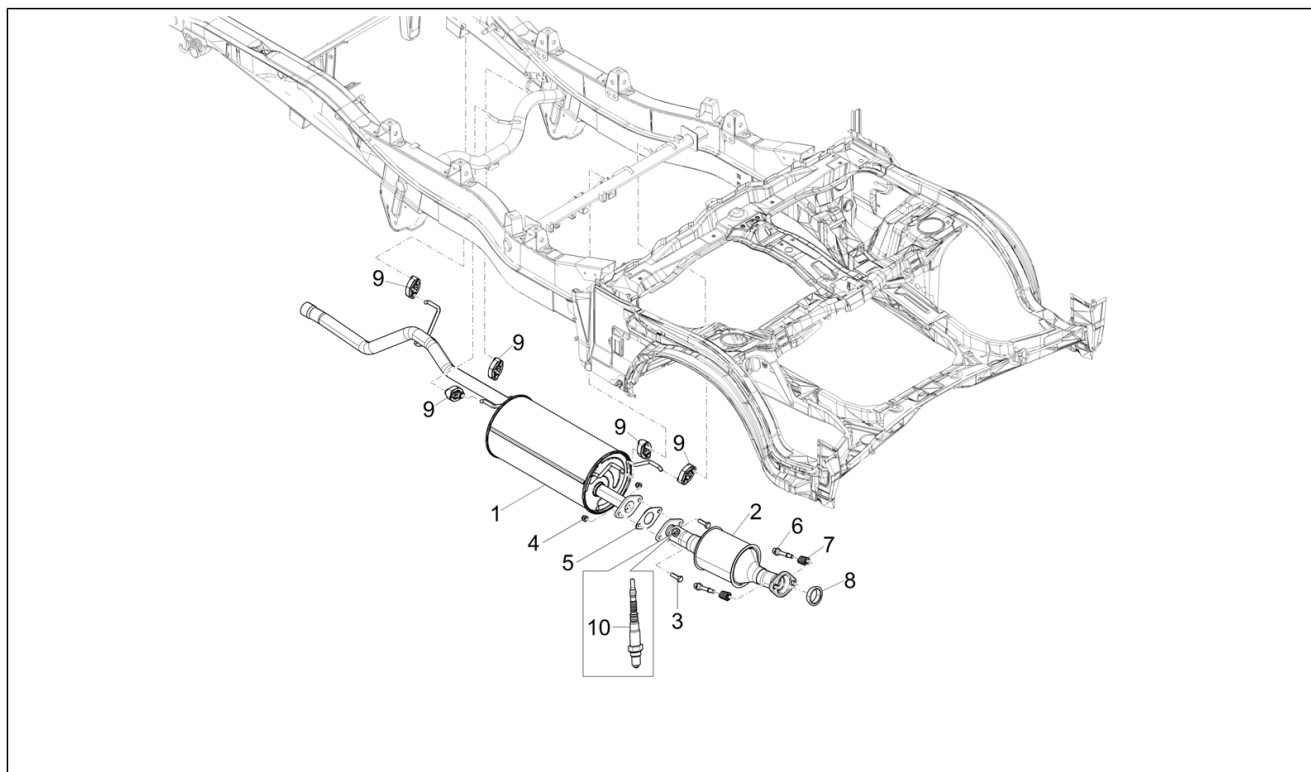
Pos.	Code	Beschreibung	Menge	Varianten
1	1A005619	Ansaugkrümmer kompl.	1	
2	1A005624	Bügel	1	
3	1A005539	Sechskantschraube mit Flansch M8x16	2	
4	1A005523	Platte	1	
5	B010018	Sechskantschraube geflanscht M6x12	1	
6	1A005482	Sechskantschraube mit Flansch M8x35	1	
7	1A005620	Leitung	1	
8	1A005621	Leitung	1	
9	1A005581	Schelle	1	
10	1A005572	Sechskantmutter geflanscht M8	2	
11	1A005571	Stiftschraube	2	
12	1A005627	Temperatur- und Luftdrucksensor	1	
13	1A005629	Sechskantschraube mit Flansch	1	
14	1A003095	Baugruppe Druckleitung	1	
15	1A005625	Schelle	1	
16	1A005626	Leitung	1	
17	1F000083	Druckleitung	1	
18	1A005630	Baugruppe Leitung	1	
19	1A005631	Leitung	1	
20	1A005625	Schelle	2	
21	1A005635	Oberer Hitzeschutz	1	
22	B010018	Sechskantschraube geflanscht M6x12	6	
23	1A005634	Massekabel Motor	1	
24	1A005641	Stiftschraube	2	
25	1A005639	Stiftschraube	1	
26	1A005640	Dichtung Auspuffrohr	1	
27	1A005632	Auspuffkrümmer kompl.	1	
28	1D001216	Lambdasonde (Vor-Katalysator)	1	

Einheit	Motor
Code	01.33
Beschreibung	Einlass- und Auslassstutzen
Inspektion	1



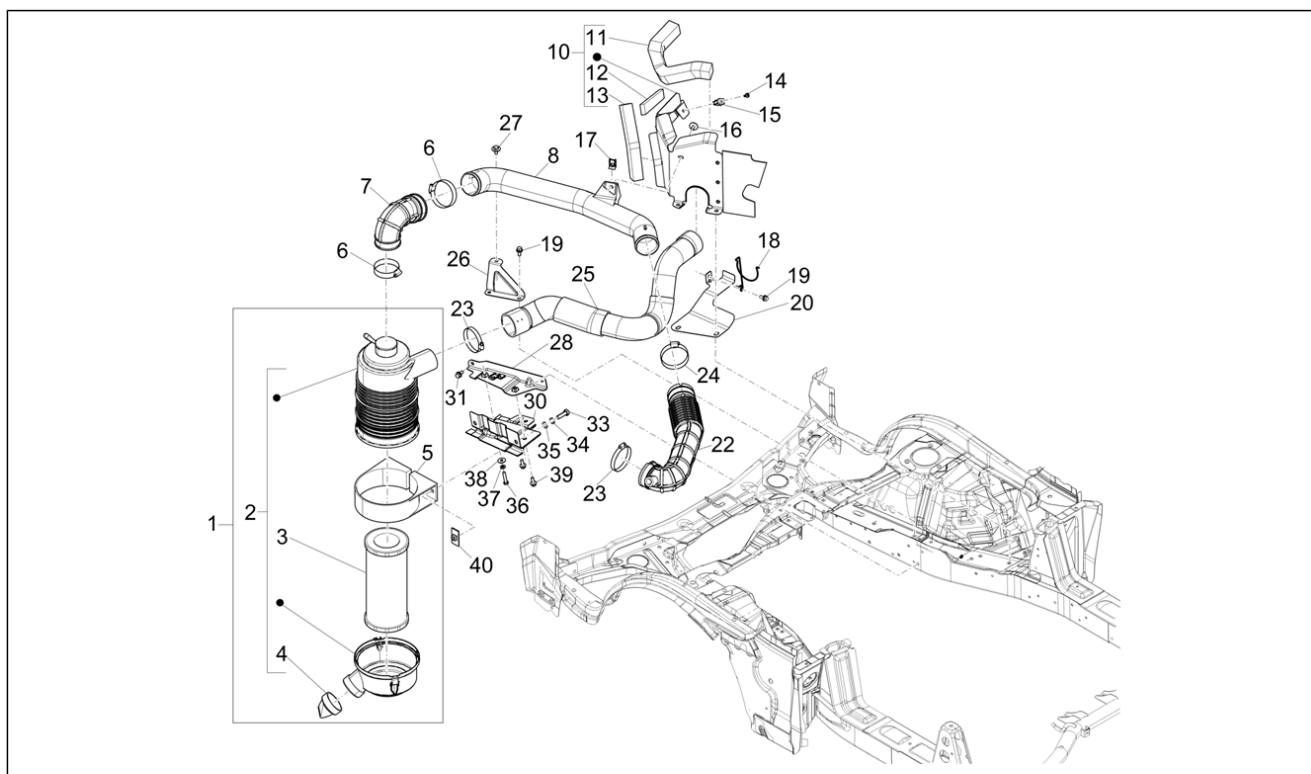
Pos.	Code	Beschreibung	Menge	Varianten
29	1A005638	Sechskantmutter geflanscht M10x1.25	2	
30	1A005487	Sechskantschraube mit Flansch	3	
31	1A005636	Unterer Hitzeschutz	1	
32	1A005642	Bügel	1	
33	1A005653	Sechskantschraube geflanscht	1	
34	1A005643	Sechskantschraube geflanscht	1	

Einheit	Motor
Code	01.37
Beschreibung	Auspufftopf
Inspektion	1



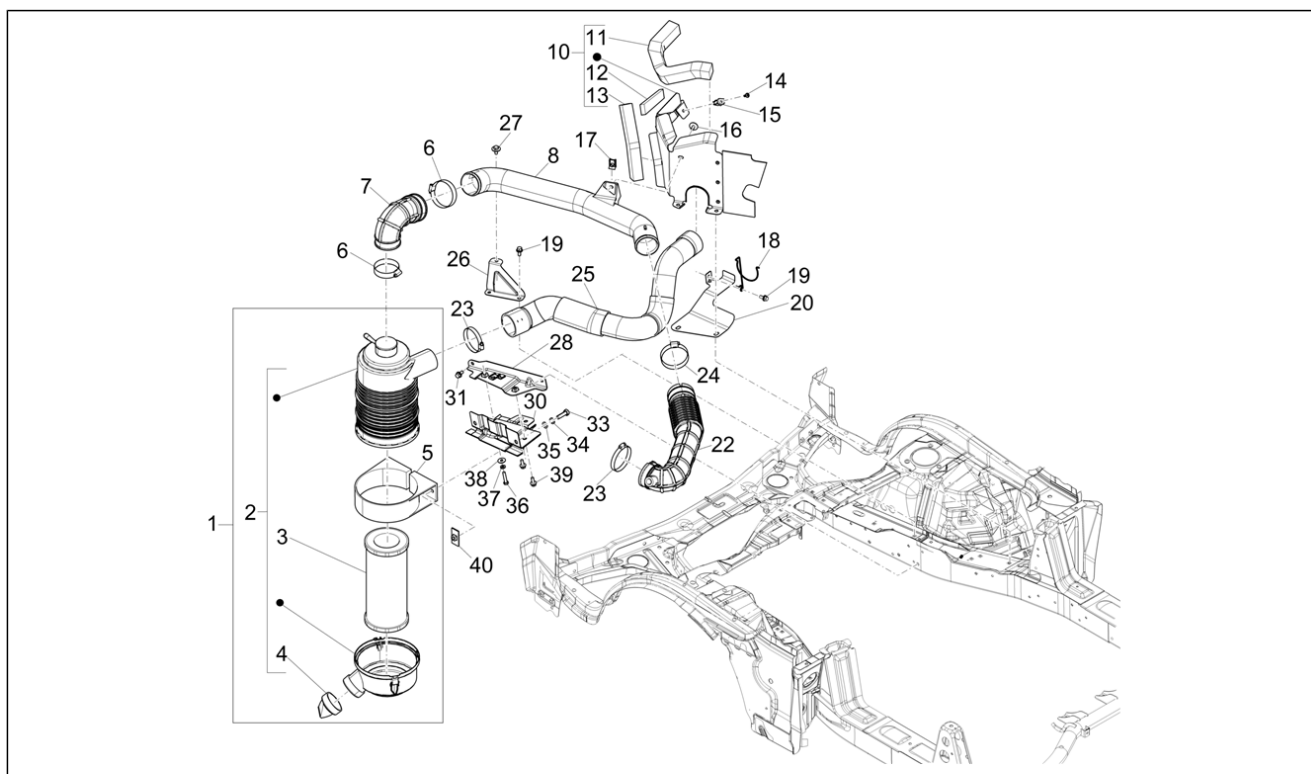
Pos.	Code	Beschreibung	Menge	Varianten
1	B023265	Ablassleitung komplett	1	
2	1E0008705	Umformer komplett	1	
2	1E0012925	Umformer komplett	1	Modell: Für Modelle mit Erdgasversorgung[CNG]
2	1E0031765	Umformer komplett	1	Modell: Für gem. Norm Euro 6 C zugelassene Modelle[E6-C]
3	9111261035000	Schraubbolzen	2	
4	9004179187000	Geflanschte Mutter	2	
5	B005007	Dichtung Auspuffrohr	1	
6	B005203	Schraubbolzen	2	
7	B007004	Feder Auspuffrohre	2	
8	B005202	Dichtung Auspuffendrohre	1	
9	1756787Z03000	Auspuffrohrhalter	5	
10	1D001216	Lambdasonde (Vor-Katalysator)	1	

Einheit	Motor
Code	01.38
Beschreibung	Luftfilter
Inspektion	1



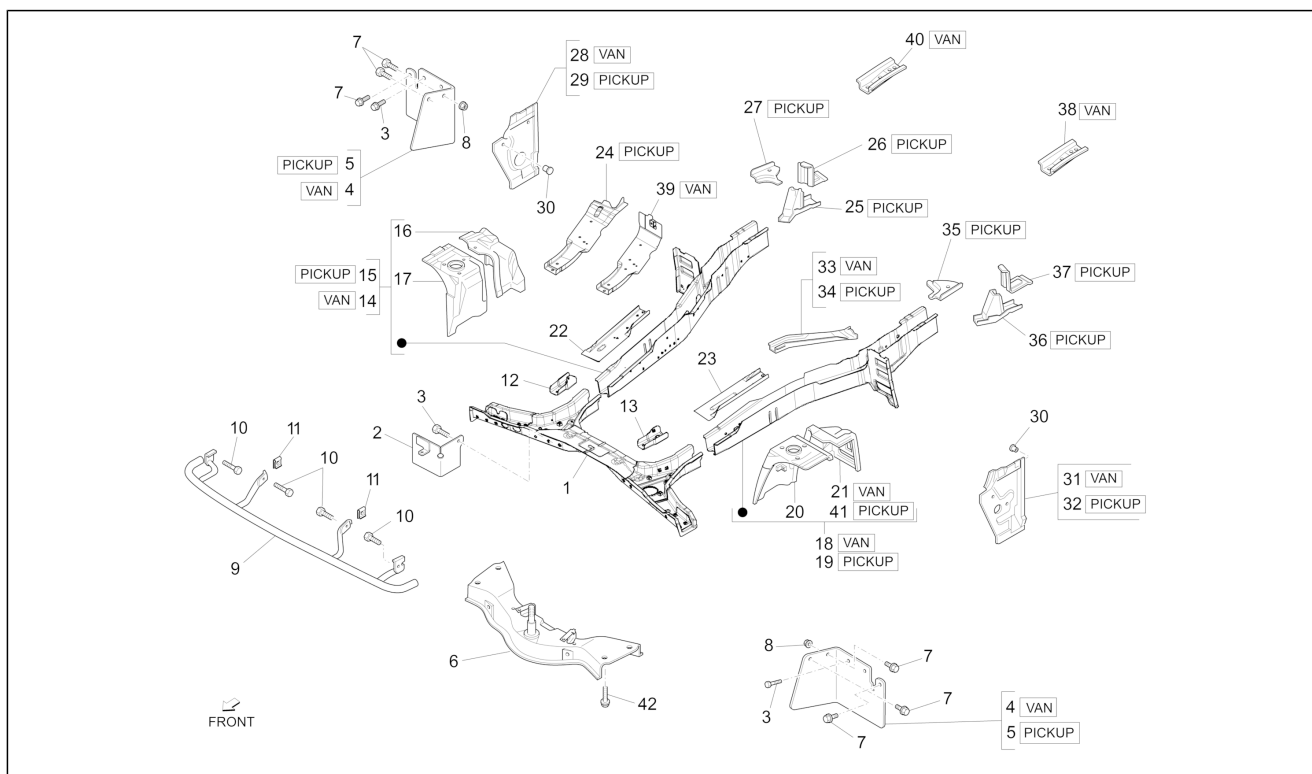
Pos.	Code	Beschreibung	Menge	Varianten
1	B005663	Luftfilter Kpl.	1	
2	B005205	Luftfilter	1	
3	B005660	Filter	1	
4	B005661	Entlüftungsventil	1	
5	B005209	Bügel	1	
6	180678	Schlauchschelle	3	
7	1E000405	Leitung Luftfilter Nr. 1	1	
8	1E000406	Leitung Luftfilter Nr. 2	1	
10	1E000543	Schutz Lufteinlass kompl.	1	
11	1787987Z05000	Dichtung	1	
12	1787987Z04000	Dichtung	1	
13	1787987Z03000	Dichtung	1	
14	D9356715014	Sechskantschraube	1	
15	B004982	Puffer	1	
16	9004119260000	Schraubbolzen	3	
17	254485	Federplättchen M6	2	
18	9004462322000	Schelle	1	
19	D9165140616	Sechskantschraube	5	
20	B005672	Schutz	1	
22	1E000407	Leitung Luftfilter Nr. 3	1	
23	289690	Schelle	2	
24	180678	Schlauchschelle	3	
25	B005553	Ansaugleitung	1	
26	1E000415	Verankerungsbügel Luftleitung mit Innenteilen	1	
27	9004119260000	Schraubbolzen	3	
28	1E001461	Verankerungsbügel Luftfilter	1	
30	1E001456	Haltebügel Luftfilter	1	
31	D9165140616	Sechskantschraube	2	

Einheit	Motor
Code	01.38
Beschreibung	Luftfilter
Inspektion	1



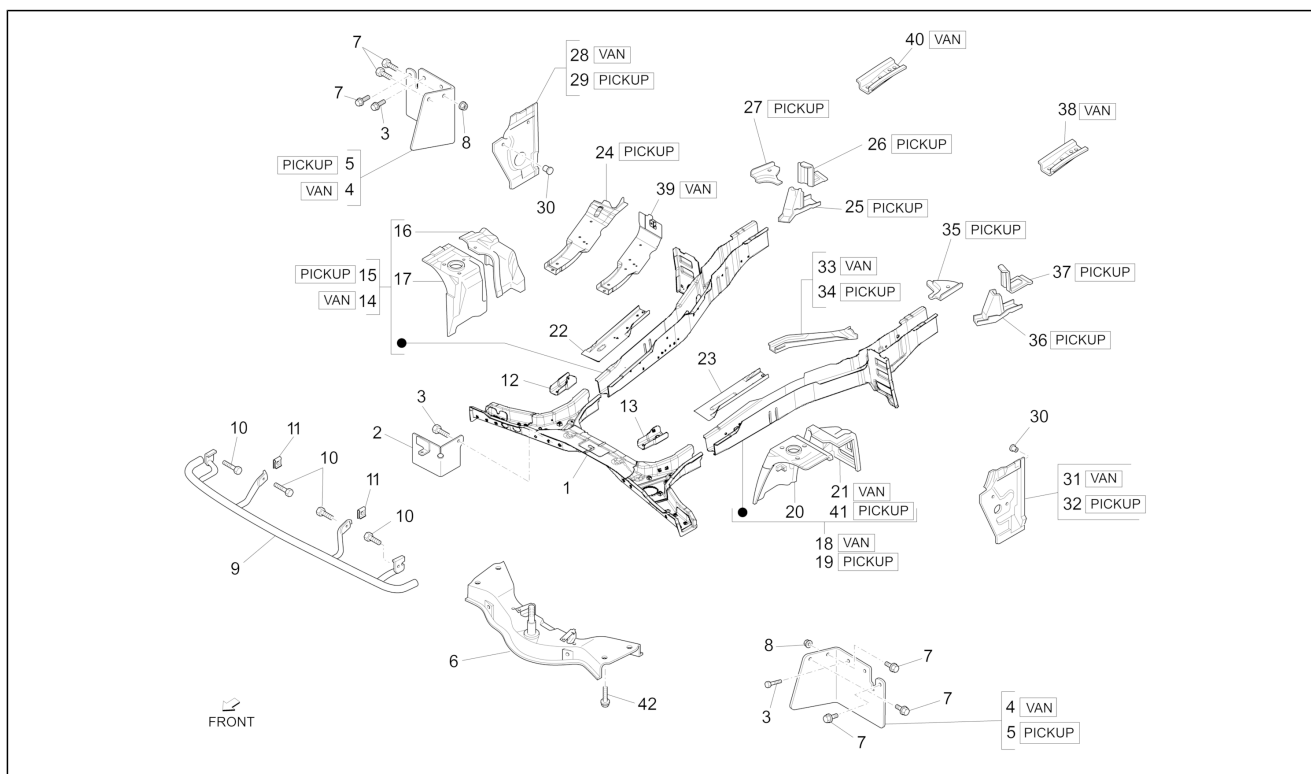
Pos.	Code	Beschreibung	Menge	Varianten
33	031121	Sechskantschraube M8x28	2	
34	016408	Sprengscheibe 13,75x8,15x4,5	2	
35	003058	Flachscheibe 15x8,4x1,5	2	
36	030052	Schraube	1	
37	016406	Federring 6,4x11,8x1	1	
38	016673	Unterlegscheibe	1	
39	D9165160618	Flanschschraube	2	
40	B005688	Anschlagplatte	2	

Einheit	Fahrgestell - Plastikformteil - Karosserien
Code	02.02
Beschreibung	Rahmen/ vordere Karosserieteile
Inspektion	1



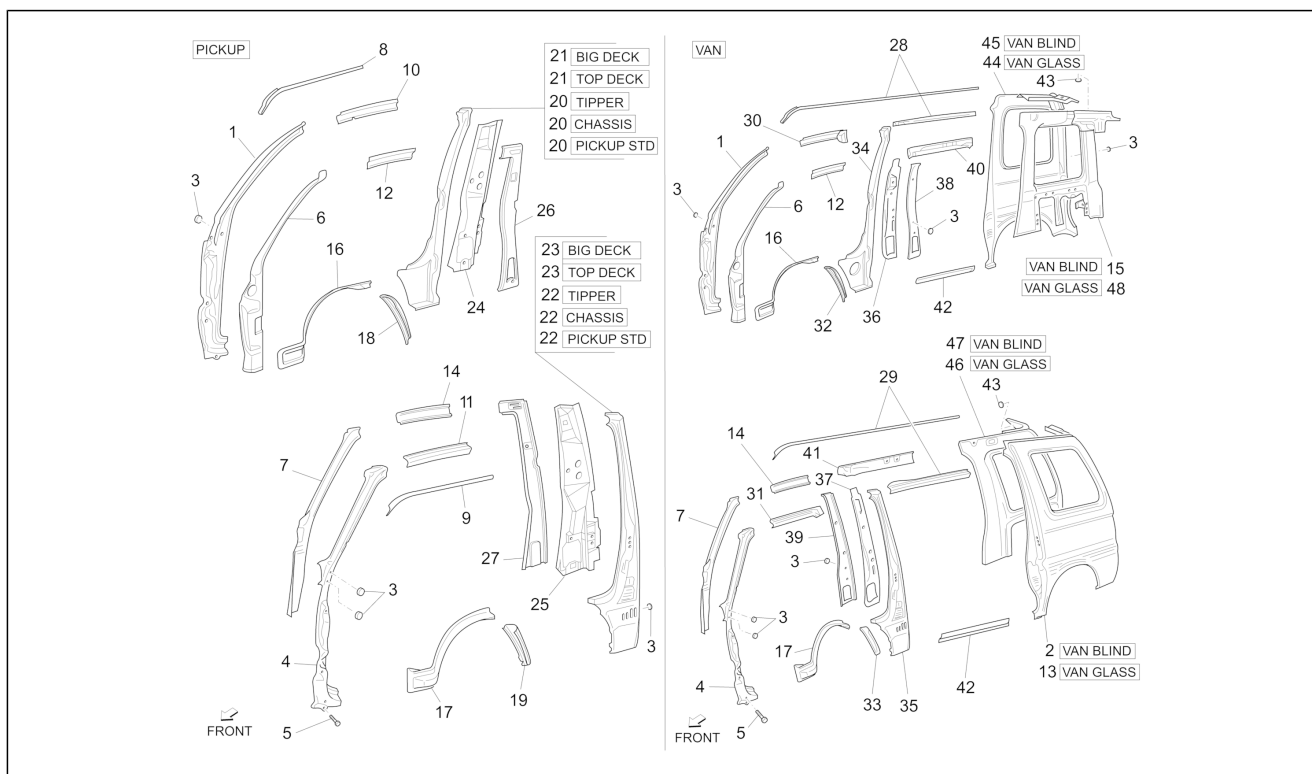
Pos.	Code	Beschreibung	Menge	Varianten
1	1E0000185	Querträger vorne mit Innenteilen	1	
2	7661987Z02000	Vorderes Schutzblech	1	
3	D9004159410	Sechskantschraube	5	
4	7662187Z02000	Vorderes Schutzblech	1	
5	7662187Z01000	Vorderes Schutzblech	1	
6	1E0017065	Federung traverse	1	
7	9004119341000	Schraubbolzen	6	
8	D9004179081	Mutter	2	
9	5290787Z03000	Kühlerschutz	1	
10	D9165140820	Sechskantschraube	4	
11	D9004181008	Mutter	2	
12	5713387Z01000	Verstärkung re.	1	
13	D5713487Z01	Verstärkung li.	1	
14	1E0017615	Längsträger vorne rechts	1	
15	B0047455	Längsträger vorne rechts	1	
16	1E001763	Schutz vorderer rechter kotflügel	1	
16	D5371187Z06	Schutz vorderer rechter kotflügel	1	
17	B0053295	Halterung Radaufhängung vorne rechts	1	
18	1E0017625	Längsträger vorne links	1	
18	1E0019675	Längsträger vorne links	1	Modell: Für Modelle mit LPG[GPL]
19	B0053475	Längsträger vorne links	1	
20	B0053285	Halterung Radaufhängung vorne links	1	
21	1E001764	Schutz vorderer linker kotflügel	1	
22	1E0027395	Verschluss Längsträger vorne rechts	1	
23	B0233195	Verschluss Längsträger vorne links	1	
24	B005630	Verschluss vorne rechts	1	
25	1E0015625	Halter rechts	1	
26	B000898	Verschluss CPI, Halterung Nr. 1 rechts	1	

Einheit	Fahrgestell - Plastikformteil - Karosserien
Code	02.02
Beschreibung	Rahmen/ vordere Karosserieteile
Inspektion	1



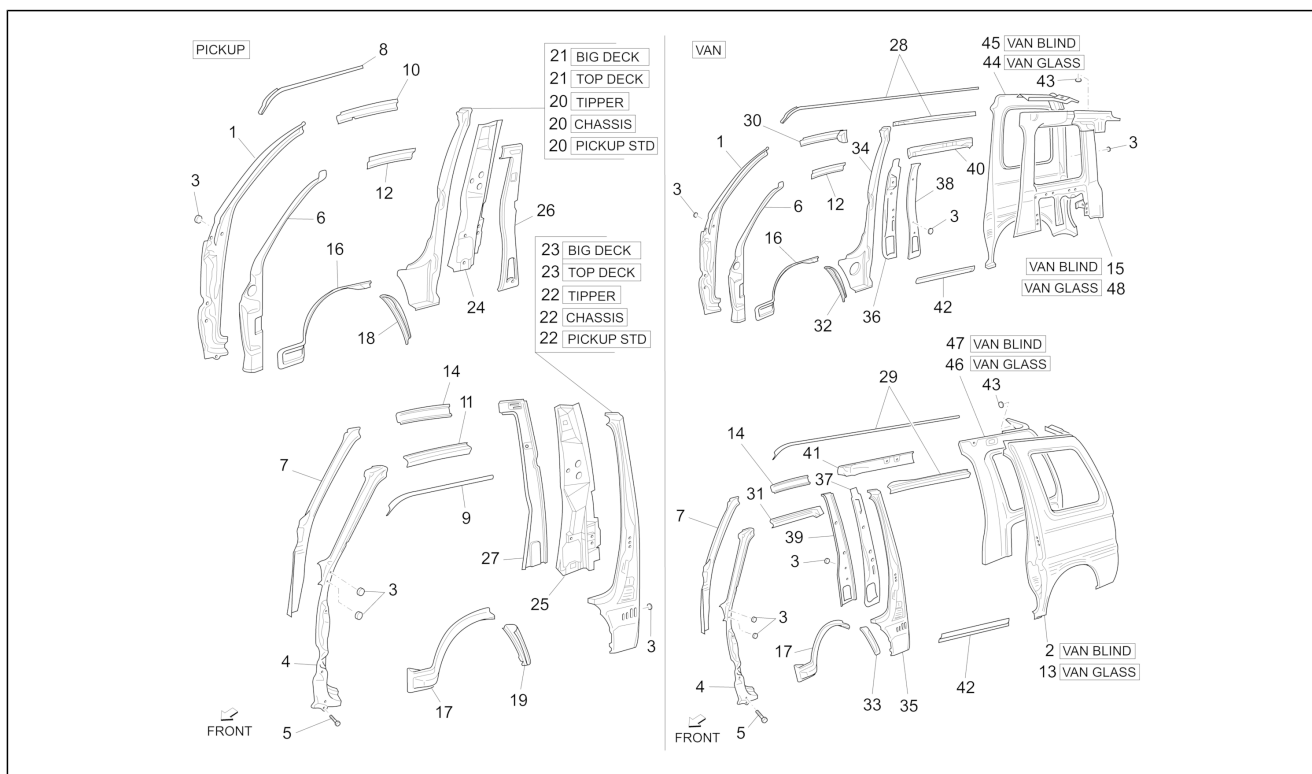
Pos.	Code	Beschreibung	Menge	Varianten
27	D5822387Z025	Verstärkung re.	1	
28	5820387Z02000	Pfosten rechts	1	
29	B0070125	Mittlere Halterung innen mit Verst. rechts	1	
30	9004874013000	Deckel D26	2	
31	B0070135	Mittlere Halterung	1	
32	5820487Z01000	Pfosten links	1	
33	5711687Z07000	Platte	1	
34	D5711687Z03	Verschluss vorne links	1	
35	D5822487Z02	Verstärkung li.	1	
36	B0061525	Linke befestigung	1	
37	D5171887Z01	Platte	1	
39	1E0011545	Verschluss Längsträger rechts	1	
40	5131587Z01000	Verstärkung oben rechts	1	
41	B0060535	Verschluss Längsträger vorne rechts	1	
42	661064	Flanschschraube	4	

Einheit	Fahrgestell - Plastikformteil - Karosserien
Code	02.03
Beschreibung	Rahmen/ seitliche Karosserieteile
Inspektion	1



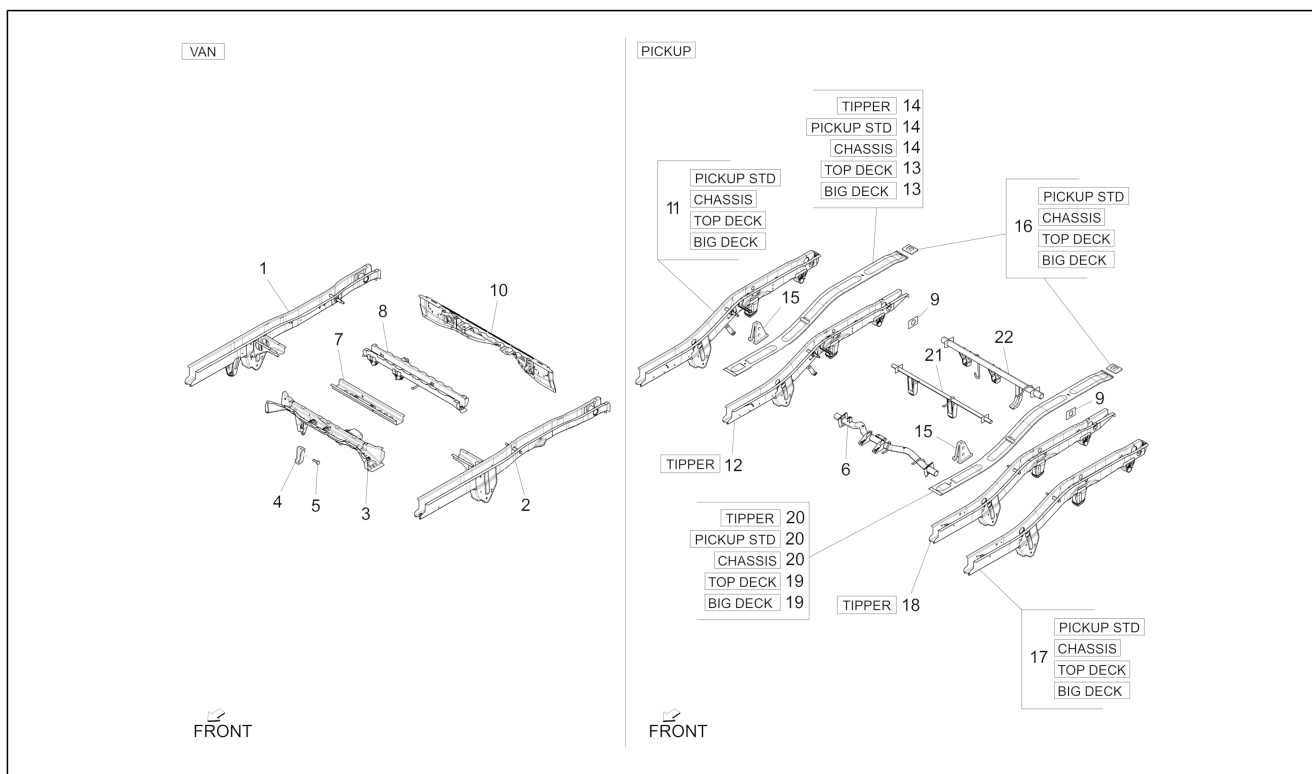
Pos.	Code	Beschreibung	Menge	Varianten
1	6102787Z01000	Äußerer pfosten vorne rechts	1	
2	6160287Z01000	Paneel Seitenteil außen li	1	
3	D9004874004	Deckel	5	
4	6102887Z02000	Äußerer pfosten vorne links	1	
5	9162140610000	Schraubbolzen	2	
6	6102387Z14000	Pfosten rechts	1	
7	6102487Z14000	Pfosten links	1	
8	6126187Z01000	Abtropfrinne rechts	1	
9	6126287Z01000	Abtropfrinne links	1	
10	6121187Z02000	Führer	1	
11	6121287Z02000	Führer	1	
12	6123187Z04000	Führer	1	
13	1E0013445	Paneel Seitenteil außen li	1	
14	6123287Z03000	Führer	1	
15	6170387Z01000	Rechte innere verkleidung	1	
16	493801	Kotfègel	1	
17	D6142287Z014	Kotflügel links	1	
18	6142587Z01000	Kotflügel hinten rechts	1	
19	6142687Z01000	Kotflügel hinten links	1	
20	6130187Z01000	Pfosten rechts	1	
21	2632315	Pfosten links	1	
22	6130287Z01000	Pfosten links	1	
23	2632325	Pfosten links	1	
24	6419287Z01000	Verstärkung rechts	1	
25	6419187Z01000	Verstärkung links	1	
26	6413587Z01000	Not available	1	
27	6413687Z01000	Not available	1	
28	6120387Z02000	Führer	1	

Einheit	Fahrgestell - Plastikformteil - Karosserien
Code	02.03
Beschreibung	Rahmen/ seitliche Karosserieteile
Inspektion	1



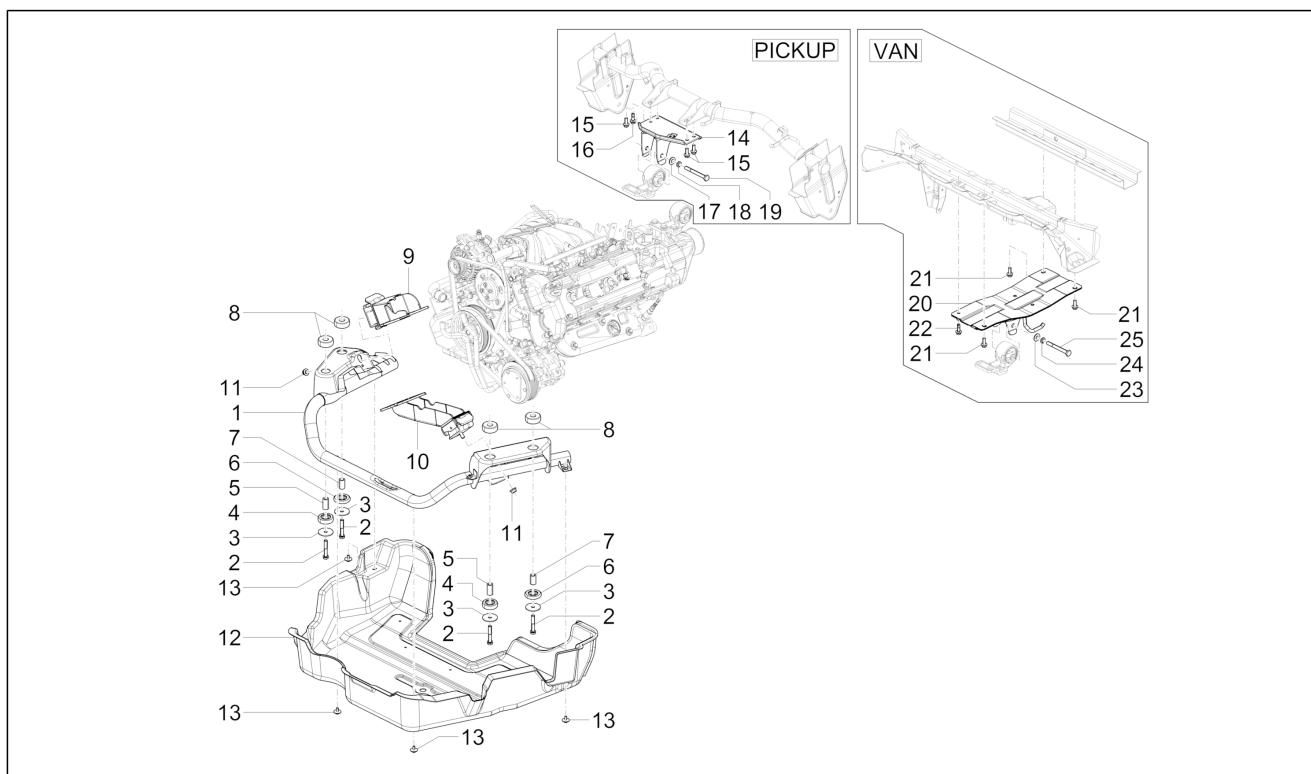
Pos.	Code	Beschreibung	Menge	Varianten
29	6120487Z02000	Führer	1	
30	6120187Z02000	Führer	1	
31	6120287Z02000	Führer	1	
32	6142587Z02000	Kotflügel hinten rechts	1	
33	6142687Z02000	Kotflügel hinten links	1	
34	1E002169	Rechte Säule mit Innenteilen Blind	1	
34	1E001989	Rechte Säule mit Innenteilen Glass	1	
35	1E0021715	Linke Säule mit Innenteilen	1	
35	1E001990	Linke Säule mit Innenteilen Glass	1	
36	6103787Z01000	Innere Verstärkung rechts	1	
37	6103887Z01000	Innere Verstärkung links	1	
38	6134387Z01000	Pfosten	1	
39	6134487Z01000	Pfosten	1	
40	6123387Z02000	Führer	1	
41	6123487Z02000	Führer	1	
42	6141187Z01000	Linke Verkleidung	1	
43	9004874025000	Deckel	1	
44	1E0013475	Paneel Seitenteil außen re	1	
45	6160187Z01000	Paneel Seitenteil außen re	1	
46	6170487Z04000	Linke innere verkleidung	1	
47	6170487Z01000	Linke innere verkleidung	1	
48	6170387Z04000	Rechte innere verkleidung	1	

Einheit	Fahrgestell - Plastikformteil - Karosserien
Code	02.04
Beschreibung	Rahmen/Karosserie hinten
Inspektion	1



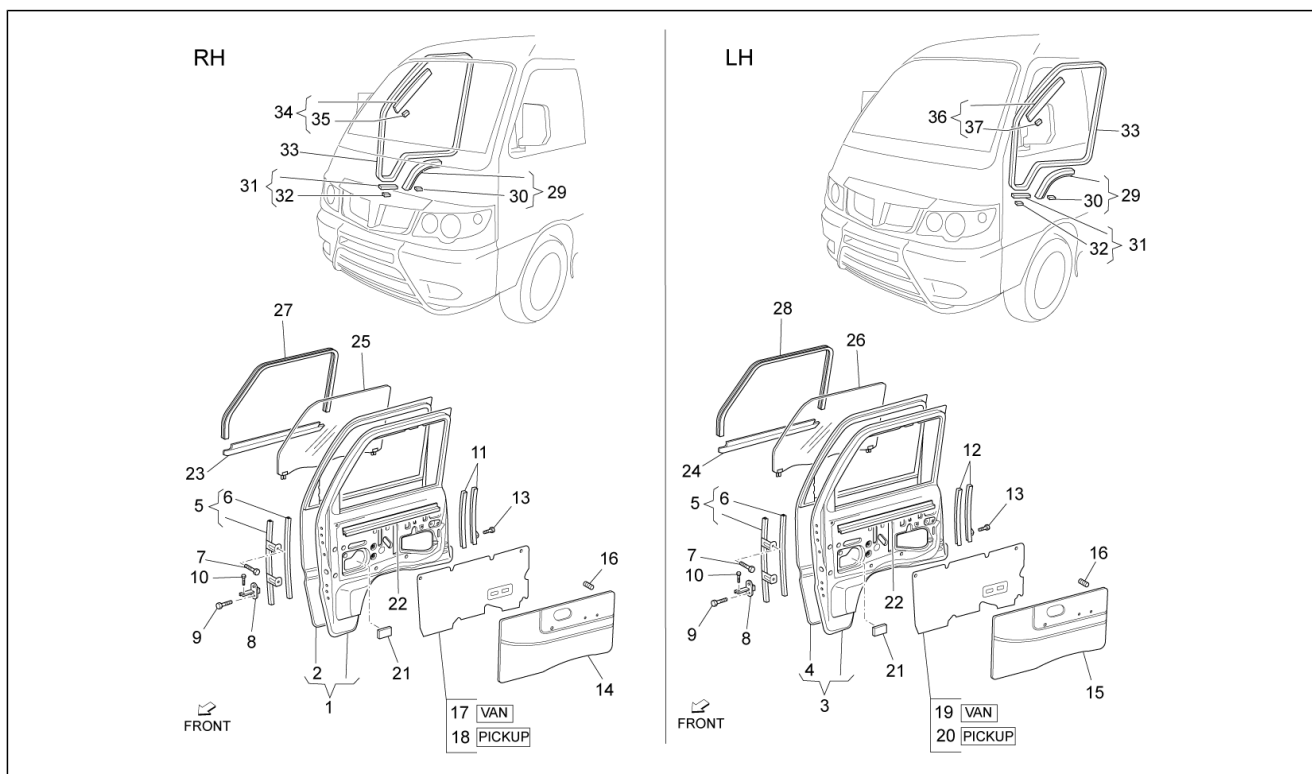
Pos.	Code	Beschreibung	Menge	Varianten
1	1E0011555	Hinterer rechter holm	1	
2	B0058795	Hinterer linker holm	1	
2	1E0022645	Hinterer linker holm	1	Modell: Für Modelle mit LPG[GPL]
3	B0053315	Hinterer Querträger	1	
4	5836487Z01000	Befestigung kraftstofftank	1	
5	9165140816000	Schraube	2	
6	1E002710	Querträger Rahmen hinten Nr. 4	1	
6	1E000355	Querträger	1	
7	5760787Z05000	Querträger	1	
8	5760887Z03000	Querträger	1	
9	5133187Z01000	Verstärkerhalter	2	
10	5707887Z01000	Hinterer Querträger	1	
11	1E0010535	Hinterer rechter holm	1	
12	1E0010545	Hinterer rechter holm	1	
13	615911	Verschluss Längsträger rechts	1	
14	615910	Verschluss Längsträger rechts	1	
15	5731787Z01000	Halter	2	
16	5175787Z01000	Halter	2	
17	B0058815	Hinterer linker holm	1	
18	B0060935	Hinterer linker holm	1	
19	B0046065	Verschluss Längsträger links	1	
20	B0046065	Verschluss Längsträger links	1	
21	1E0003545	Querträger Halterung Getriebe Innenteile	1	
22	B0232935	Hinterer Querträger	1	

Einheit	Fahrgestell - Plastikformteil - Karosserien
Code	02.06
Beschreibung	Motorhalterungen
Inspektion	1



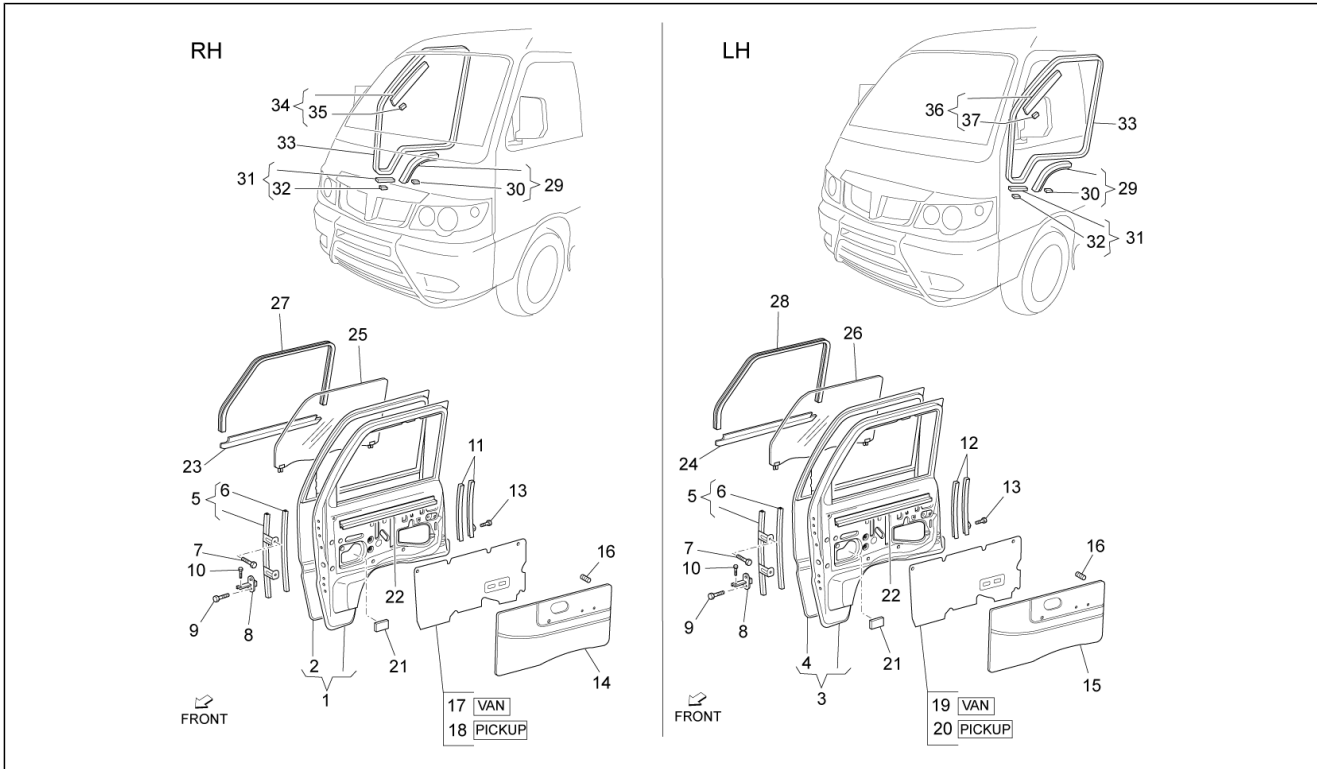
Pos.	Code	Beschreibung	Menge	Varianten
1	1E001649	Motorhalterrahmen	1	
2	D9004101431	Sechskantschraube	4	
3	9004201291000	Unterlegscheibe	4	
4	9004540073000	Puffer	2	
5	D9004560252	Distanzscheibe	2	
6	9004540073000	Puffer	2	
7	1E001612	Distanzscheibe	2	
8	9004540074000	Puffer	4	
9	1F000080	Motorbügel rechts	1	
10	1A005465	Motorbügel links	1	
11	D9004170307	Mutter	2	
12	1E001591	Unterer Motorschutz	1	
13	264462	Flanschschraube	4	
14	1E001118	Bügel hinten Motorhalterung	1	
15	D9165160825	Schraubbolzen mit Unterlegscheibe	3	
16	D9004119554	Schraubbolzen mit Unterlegscheibe	1	
17	016627	Unterlegscheibe	1	
18	016410	Unterlegscheibe 17,6x11x2,5	1	
19	262125	Sechskantschraube M10x130	1	
20	1E000862	Bügel hinten Motorhalterung	1	
21	D9165160825	Schraubbolzen mit Unterlegscheibe	3	
22	D9004119554	Schraubbolzen mit Unterlegscheibe	1	
23	016627	Unterlegscheibe	1	
24	016410	Unterlegscheibe 17,6x11x2,5	1	
25	262125	Sechskantschraube M10x130	1	
26	1E001563	Schalldämmung unterer Motorschutz	1	

Einheit	Fahrgestell - Plastformteil - Karosserien
Code	02.07
Beschreibung	Vordere Türen - Scheibe
Inspektion	1



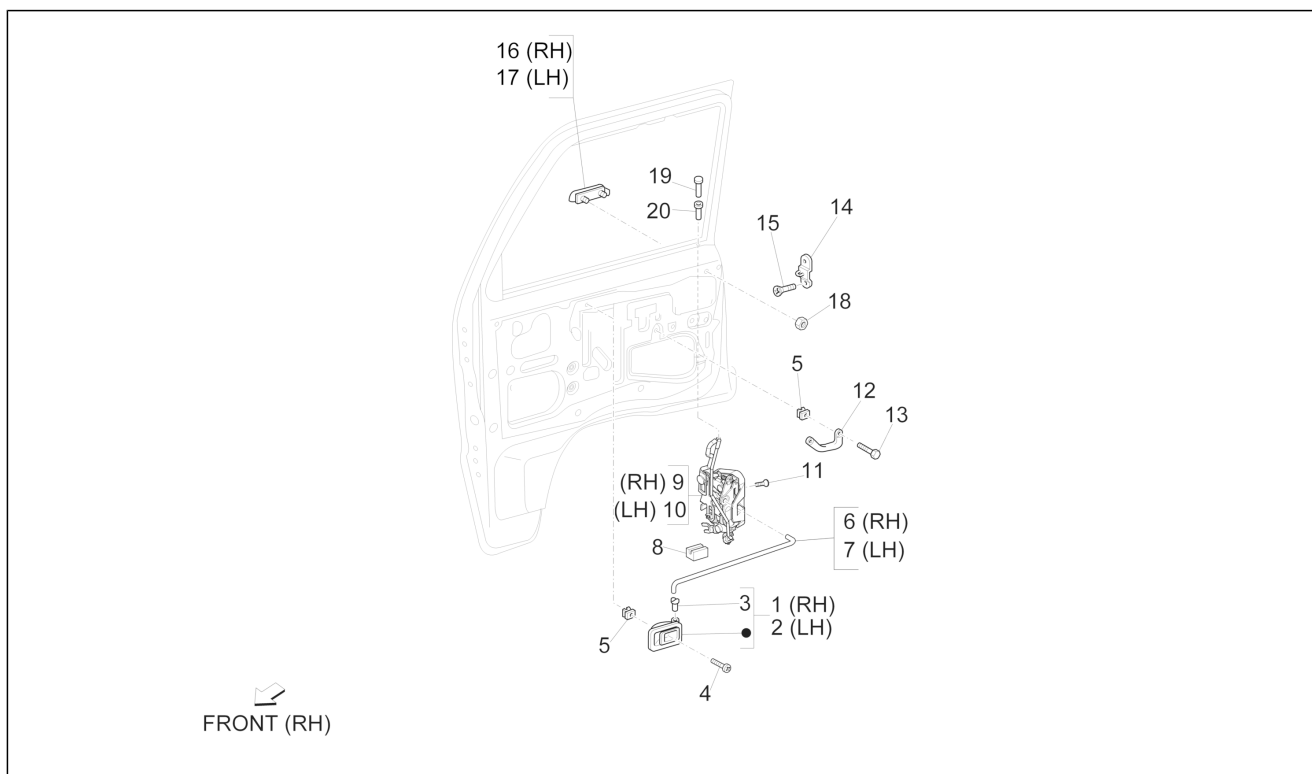
Pos.	Code	Beschreibung	Menge	Varianten
1	6700187Z01000	Vordere Tür rechts	1	
2	6701187Z01000	Äußere rechte türverkleidung	1	
3	6700287Z01000	Vordere Tür links	1	
4	6701287Z01000	Äußere linke türverkleidung	1	
5	D6740187Z01	Schiene Glas	2	
6	6241387Z01000	Dichtung	2	
7	9162140610000	Schraubbolzen	4	
8	6861087Z01000	Türscharnier vorne	2	
9	9162140614000	Schraubbolzen	4	
10	D6861787Z01	Bolzen	2	
11	6740387Z01000	Fensterführung rechts	1	
12	D6740487Z01	Fensterführung links	1	
13	9004119341000	Schraubbolzen	2	
14	615917	Türverkleidung vorne rechts	1	
14	1E001551	Türverkleidung vorne rechts	1	
14	B007673	Türverkleidung vorne rechts	1	
15	615918	Türverkleidung vorne links	1	
15	1E001552	Türverkleidung vorne links	1	
15	B007674	Türverkleidung vorne links	1	
16	6777187Z01000	Schraube	20	
17	6783187Z02000	Innerer türschutz hintertür	1	
18	6783187Z01000	Innerer türschutz hintertür DX	1	
19	6783287Z02000	Innerer türschutz hintertür	1	
20	6783287Z01000	Innerer türschutz hintertür SX	1	
21	6781187Z01000	Puffer	2	
22	260850	Dichtung	2	
23	260851	Dichtung re	1	
24	260858	Dichtung li	1	

Einheit	Fahrgestell - Plastikformteil - Karosserien
Code	02.07
Beschreibung	Vordere Türen - Scheibe
Inspektion	1



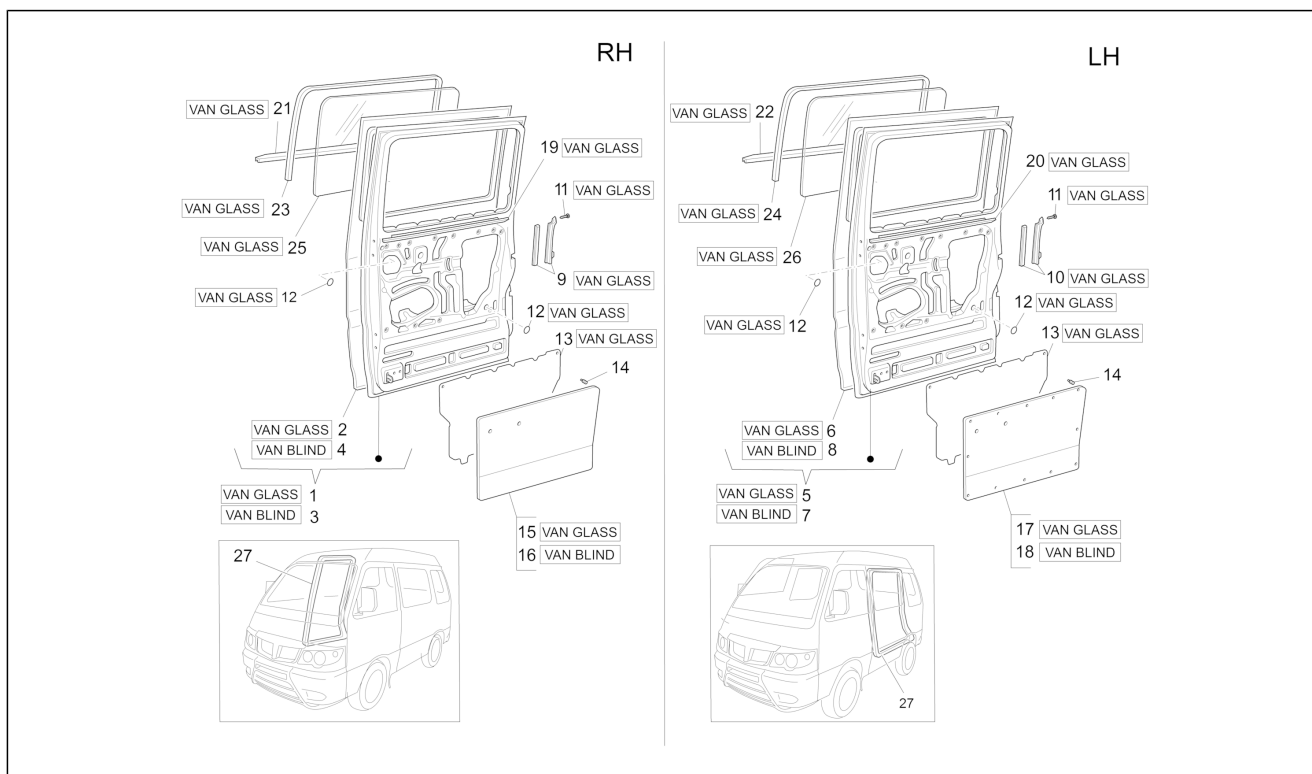
Pos.	Code	Beschreibung	Menge	Varianten
25	B007338	Türfenster vorne rechts	1	
26	B007339	Türfenster vorne links	1	
27	261077	Dichtung	1	
28	261078	Dichtung	1	
29	1E002152	Dichtung Vordertür	2	
30	CM281401	Feder Türdichtung	2	
31	1E002151	Dichtung unten Vordertür	2	
32	CM281401	Feder Türdichtung	2	
33	6786187Z01000	Türdichtung	2	
34	1E002149	Außendichtung Vordertür RE	1	
35	CM281402	Feder Türdichtung	16	
36	1E002150	Außendichtung Vordertür li	1	
37	CM281402	Feder Türdichtung	8	

Einheit	Fahrgestell - Plastikformteil - Karosserien
Code	02.08
Beschreibung	Bauteile vordere Türen
Inspektion	1



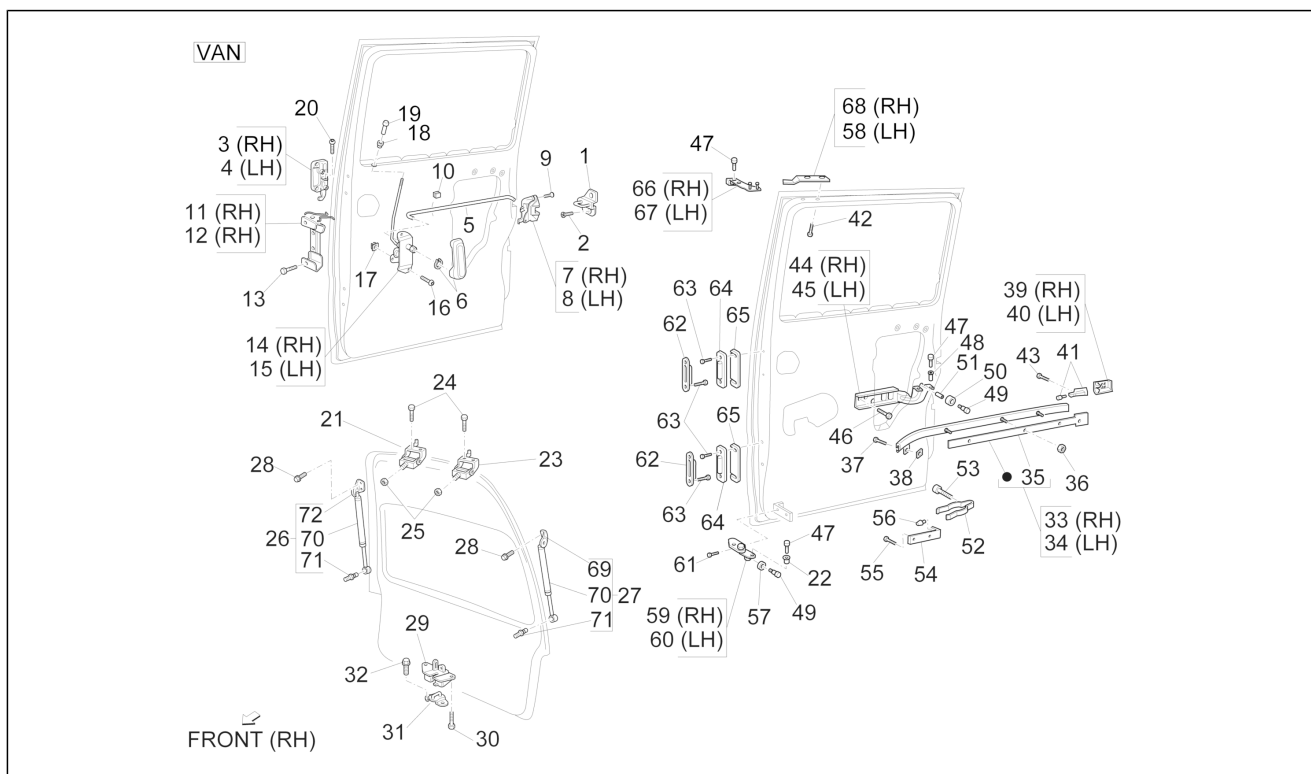
Pos.	Code	Beschreibung	Menge	Varianten
1	6927087Z01000	Türklinke innen rechte tür	1	
2	6928087Z01000	Türklinke innen linke tür	1	
3	6927987Z01000	Bolzen	1	
4	D9353055012	Schraube	2	
5	D9004189019	Kabelführung	6	
6	6971187Z01000	Zugstange türöffnung vorne rechts	1	
7	6971287Z01000	Zugstange türöffnung vorne links	1	
8	6975987Z01000	Puffer	2	
9	B0042833	Türschloss vorne rechts	1	
10	B0042843	Türschloss vorne links	1	
11	D9004159188	Sechskantschraube	6	
12	1E001561	Türklinke vordertür	2	
13	9354056020000	Schraube	4	
14	662510	Fixierplatte	2	
15	9004151029000	Schraube	4	
16	6921087Z01000	Türklinke außen rechte tür	1	
17	6922087Z01000	Türklinke außen linke tür	1	
18	261323	Mutter	4	
19	6974787Z01000	Sperrknopf türverschluss	2	
20	D9004480352	Kabelführung	2	

Einheit	Fahrgestell - Plastformteil - Karosserien
Code	02.09
Beschreibung	Hintere Türen - Scheibe
Inspektion	1



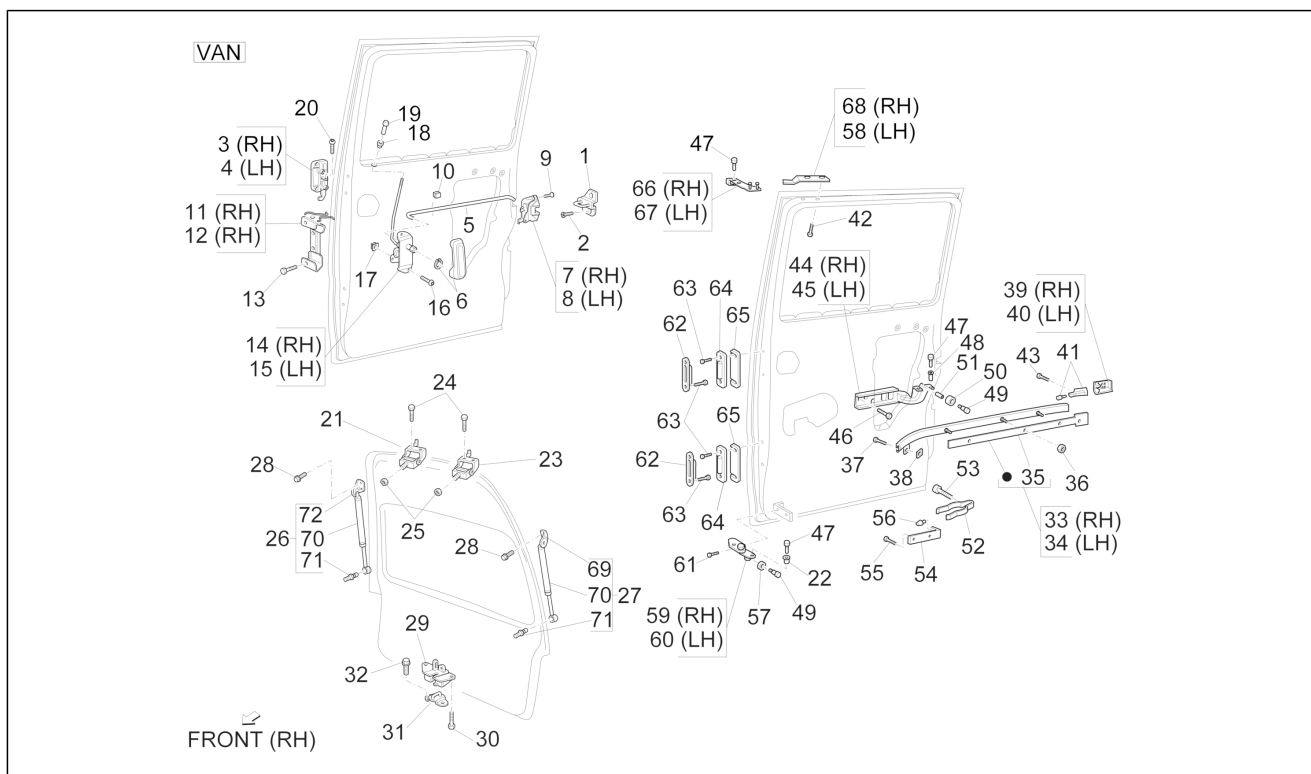
Pos.	Code	Beschreibung	Menge	Varianten
1	1E0019925	Türverkleidung hinten rechts mit Innenteilen	1	
2	1E0019916	Innere Türverkleidung hinten rechts	1	
3	1E0021665	Türverkleidung hinten rechts mit Innenteilen	1	
4	1E0021635	Innere Türverkleidung hinten rechts	1	
5	1E0019945	Türverkleidung hinten links mit Innenteilen	1	
6	1E0019935	Innere Türverkleidung hinten links	1	
7	1E0021675	Türverkleidung hinten links mit Innenteilen	1	
8	1E0021655	Innere Türverkleidung hinten links	1	
9	6740787Z01000	Türführung hinten rechts	1	
10	6740887Z01000	Türführung hinten links	1	
11	9004119260000	Schraubbolzen	4	
12	9004874031000	Deckel OD=40	6	
13	6784187Z01000	Innenschutz tür	2	
14	6777187Z01000	Schraube	26	
15	1E001553	Schiebetürverkleidung rechts	1	
16	B004495	Schiebetürverkleidung rechts	1	
17	1E001554	Schiebetürverkleidung links	1	
18	B004496	Schiebetürverkleidung links	1	
19	260849	Dichtung	1	
20	260856	Dichtung	1	
21	260852	Dichtung	1	
22	260857	Dichtung äußere fensternut	1	
23	261081	Fensterdichtung rechte hintertür	1	
24	261082	Fensterdichtung linke hintertür	1	
25	6810387Z02000	Türfenster hinten rechts	1	
26	6810487Z02000	Türfenster hinten links	1	
27	6787187Z01000	Türdichtung hinten	2	

Einheit	Fahrgestell - Plastikformteil - Karosserien
Code	02.10
Beschreibung	Komponenten der Türen hinten
Inspektion	1



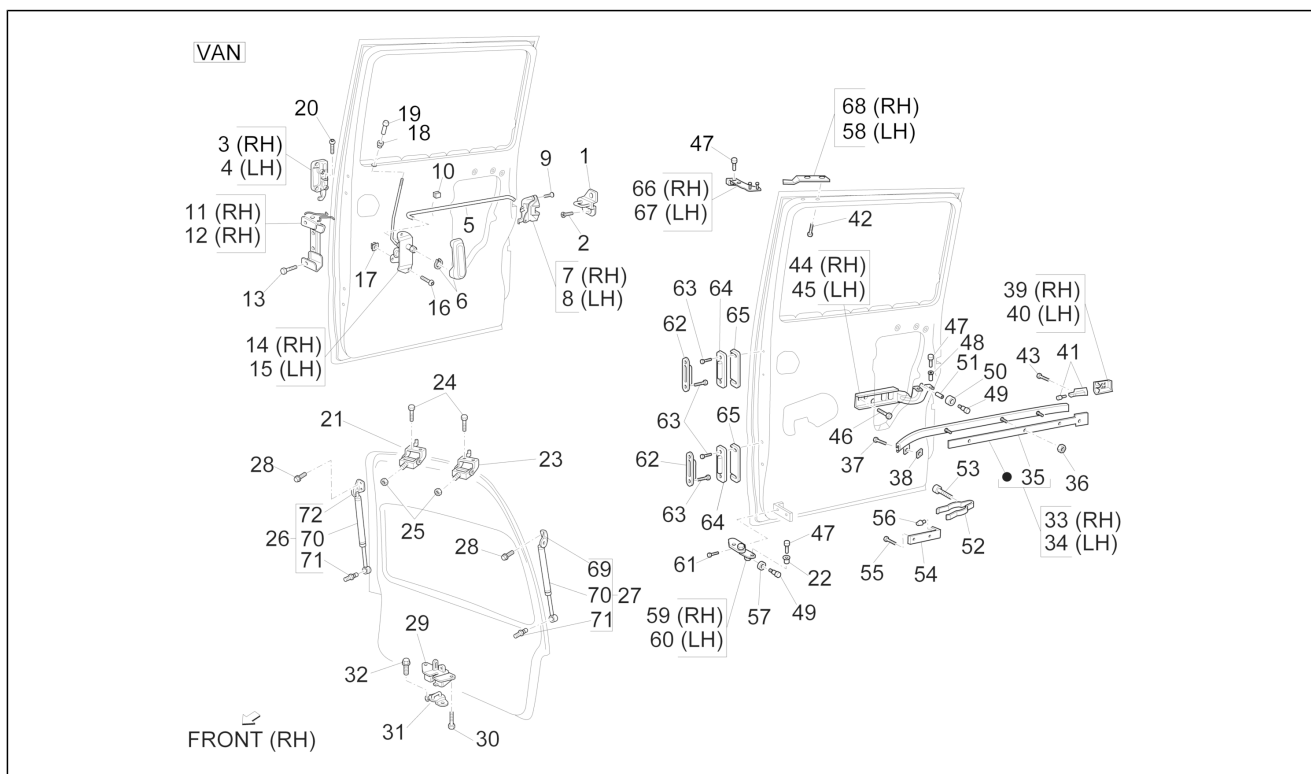
Pos.	Code	Beschreibung	Menge	Varianten
1	B005018	Platte	2	
2	9004151029000	Schraube	4	
3	B005335	Türklinke außen rechte tür	1	
4	B005336	Türklinke außen linke tür	1	
5	6971387Z01000	Spannstange	2	
6	6927287Z01030	Griff	2	
7	B005014	Türschloss rechts	1	
8	B005015	Türschloss links	1	
9	D9004159188	Sechskantschraube	6	
10	6975987Z01000	Puffer	2	
11	6973087Z01000	Verbindung türschloß	1	
12	6974087Z01000	Verbindung türschloß	1	
13	9004119341000	Schraubbolzen	4	
14	B005020	Schlossbetätigung	1	
15	B005021	Türschliessung	1	
16	D9354016012	Sechskantschraube	4	
17	D9004189019	Kabelführung	4	
18	6974787Z01000	Sperrknopf türverschluss	2	
19	D9004480352	Kabelführung	2	
20	D9338116008	TBEI Schraube	4	
21	6880187Z02000	Scharnier rechts	1	
22	6833287Z01000	Buchse	2	
23	6880187Z01000	Scharnier links	1	
24	9165140816000	Schraube	4	
25	261321	Geflanschte Mutter	4	
26	6895087Z82000	Feder rechts	4	
27	6896087Z82000	Feder links	4	
28	D9161160614	Flanschschraube	4	

Einheit	Fahrgestell - Plastikformteil - Karosserien
Code	02.10
Beschreibung	Komponenten der Türen hinten
Inspektion	1



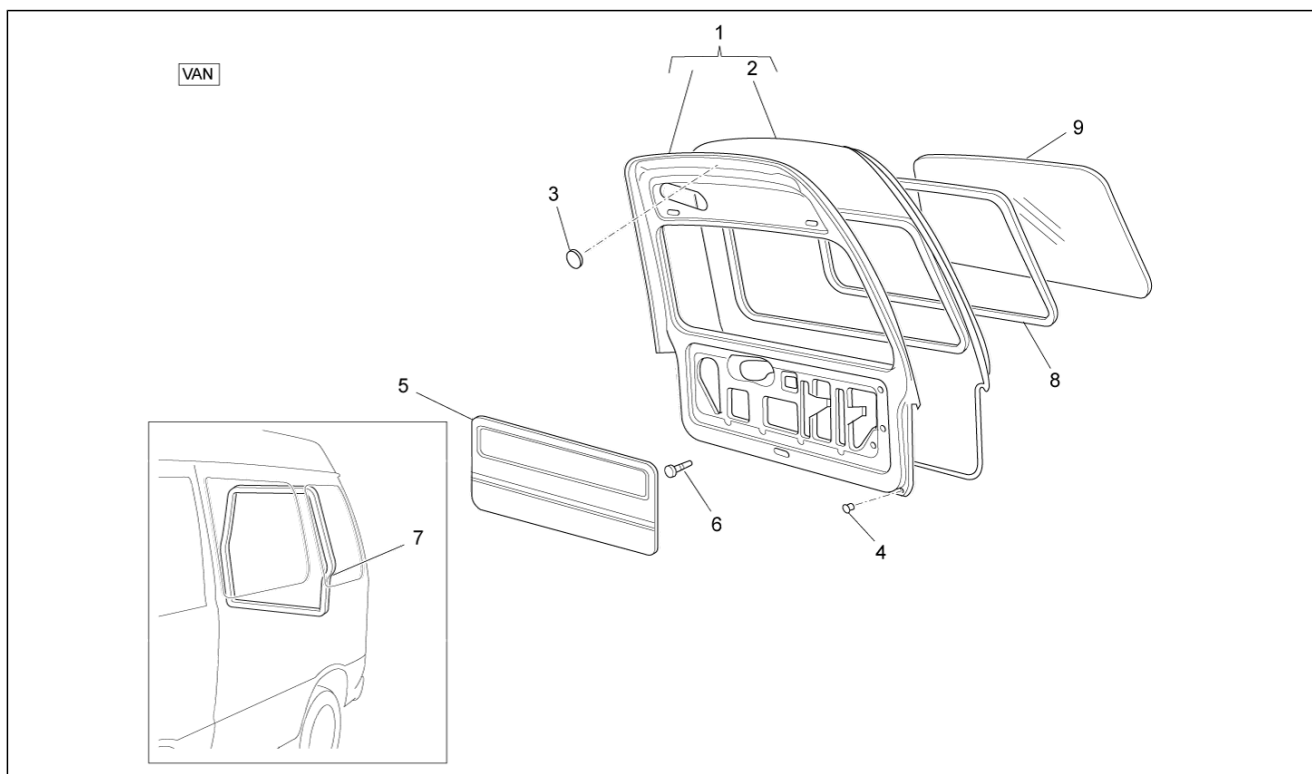
Pos.	Code	Beschreibung	Menge	Varianten
29	B005016	Türschloß hintertür	1	
30	D9161140612	Sechskantschraube	2	
31	B005017	Befestigungsplatte Schloss	2	
32	D9004159295	Flanschschraube	2	
33	6180787Z01000	Türführung hinten rechts	1	
34	6180887Z01000	Türführung hinten links	1	
35	6182787Z01000	Dichtung	1	
36	261323	Mutter	6	
37	9162140614000	Schraubbolzen	2	
38	6837787Z01000	Platte	2	
39	7565187Z01000	Führungsabdeckung	1	
40	7565287Z01000	Führungsabdeckung	1	
41	6183987Z01000	Befestigung türführung	2	
42	D9162140816	Schraubbolzen	4	
43	D9161140614	Schraubbolzen	4	
44	6838087Z01000	Türscharnier seitentür DX	1	
45	6839087Z01000	Türscharnier SX	1	
46	9004119383000	Flanschschraube	4	
47	9004241105000	Bolzen	4	
48	6833487Z01000	Buchse	4	
49	9004241106000	Bolzen	4	
50	261355	Kugellager	2	
51	9004560155000	Distanzscheibe	2	
52	6832687Z01000	Feder	2	
53	D9338515010	Sechskantschraube	2	
54	6941687Z01000	Winkel	2	
55	D9162160620	TE Schr. m. Flansch	4	
56	6941987Z01000	Puffer	2	

Einheit	Fahrgestell - Plastikformteil - Karosserien
Code	02.10
Beschreibung	Komponenten der Türen hinten
Inspektion	1



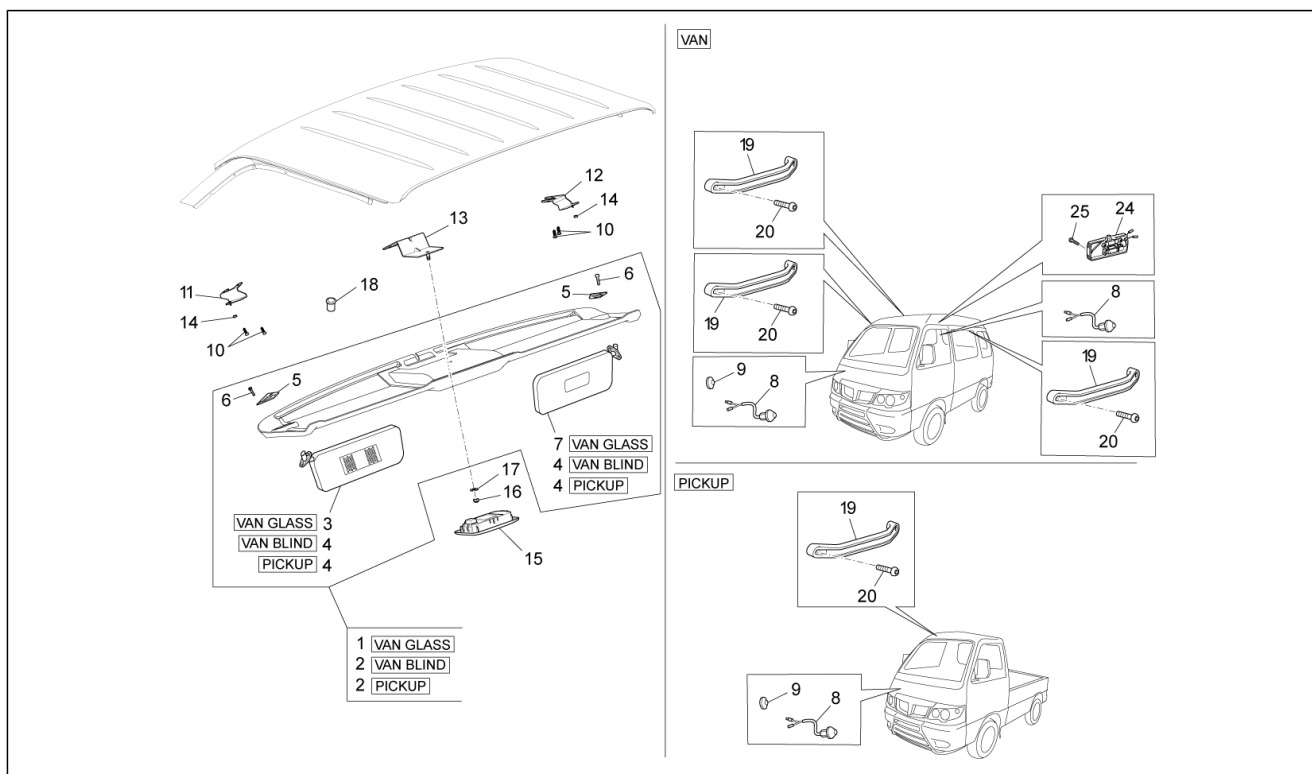
Pos.	Code	Beschreibung	Menge	Varianten
57	B005029	Radiallager	2	
58	6851787Z01000	Obere platte links	1	
59	6803787Z01000	Arm unten re	1	
60	6803887Z01000	Arm unten li	1	
61	D9166160820	TE Schr. m. Flansch	4	
62	6941487Z01000	Türsperre	4	
63	D9166140616	Sechskantschraube	16	
64	6941387Z01000	Türsperre	4	
65	6941887Z01000	Platte	4	
66	6803187Z01000	Rechter Schutzblecharm	1	
67	6803287Z01000	Arm links	1	
68	6831787Z01000	Obere platte rechts	1	
69	D6896087Z035	Bügel für Gasfeder links	1	
70	56605R	Gasfeder	2	
71	56607R	Zapfen Gasfeder	2	
72	D6895087Z035	Bügel für Gasfeder rechts	1	

Einheit	Fahrgestell - Plastformteil - Karosserien
Code	02.11
Beschreibung	Hintere Klappe - Scheibe
Inspektion	1



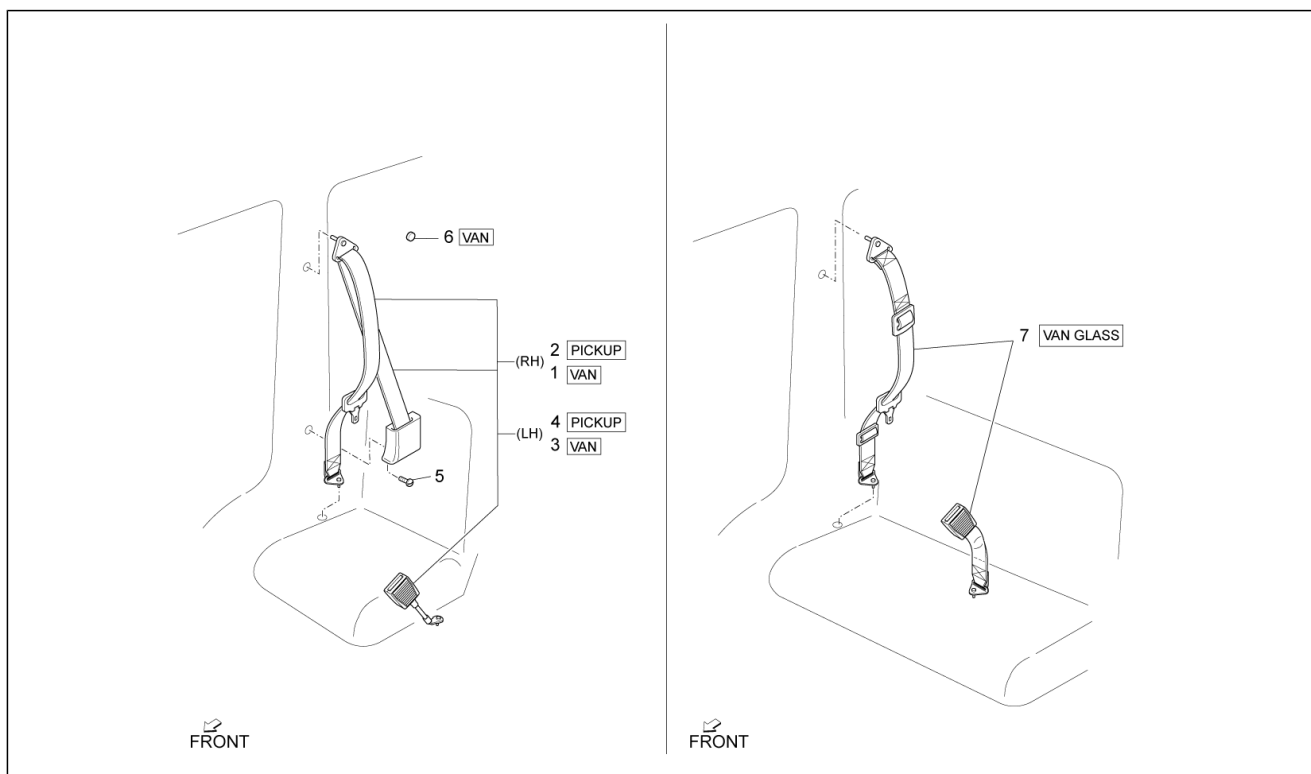
Pos.	Code	Beschreibung	Menge	Varianten
1	1E0011015	Heckklappe komplett	1	
1	6700587Z01000	Heckklappe komplett	1	
2	6711587Z01000	Äußere hintere türverkleidung	1	
3	9004874031000	Deckel OD=40	1	
4	9004541138000	Puffer	4	
5	B004500	Paneel innen hinten	1	
6	6777187Z01000	Schraube	15	
7	6788187Z01000	Türdichtung hinten	1	
8	6829187Z01000	Fensterdichtung hinten	1	
9	6813187Z02000	Türfenster hintertür	1	

Einheit	Fahrgestell - Plastikformteil - Karosserien
Code	02.13
Beschreibung	Kabinenbauteile
Inspektion	1



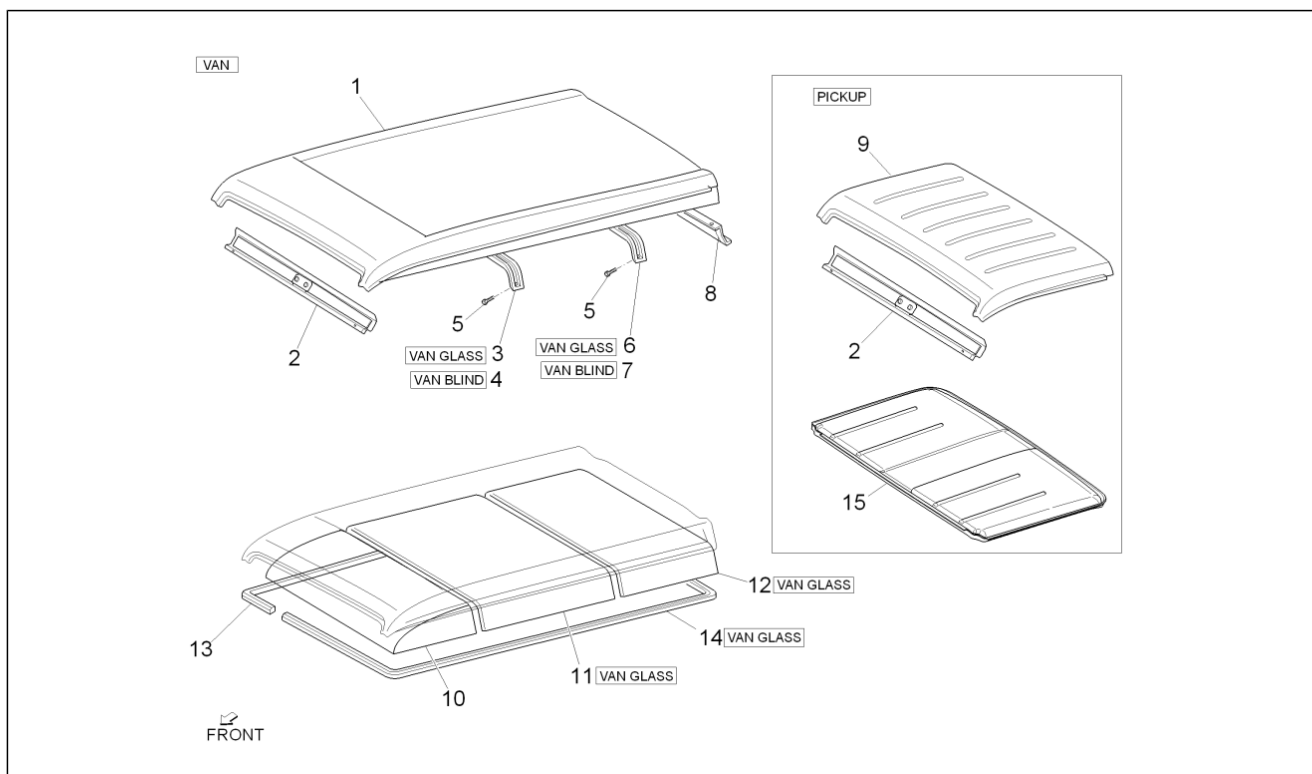
Pos.	Code	Beschreibung	Menge	Varianten
1	B005505	Gepäckablage mit Tasche	1	
2	B005325	Ablagefläche	1	
3	261425	Linker sonnenschutz	1	
4	7431087Z02030	Sonnenblenden	2	
5	B004564	Platte	2	
6	015900	Blechschraube	2	
7	261424	Sonnenblende rechts mit Spiegel	1	
8	8423087504000	Schalter Innenraumbeleuchtung	2	
9	D9004874004	Deckel	1	
10	D9004168057	Schraube	4	
11	B004570	Linkes bügel	1	
12	B004571	Rechtes bügel	1	
13	B005658	Mittlerer bügel	1	
14	241937	Mutter, selbstsichernd M5	1	
15	B004262	Innenraumleuchte	1	
16	709116	Mutter	1	
17	013880	Flachscheibe 16x6,5x1,5	1	
18	B004629	Verschlusschraube	1	
19	7461787Z01030	Griff	3	
20	D9004159110	Sechskantschraube	6	
24	8124087Z01000	Innenraumleuchte	1	
25	D9351014020	Befestigungsschraube	2	

Einheit	Fahrgestell - Plastikformteil - Karosserien
Code	02.14
Beschreibung	Sicherheitsgurte
Inspektion	1



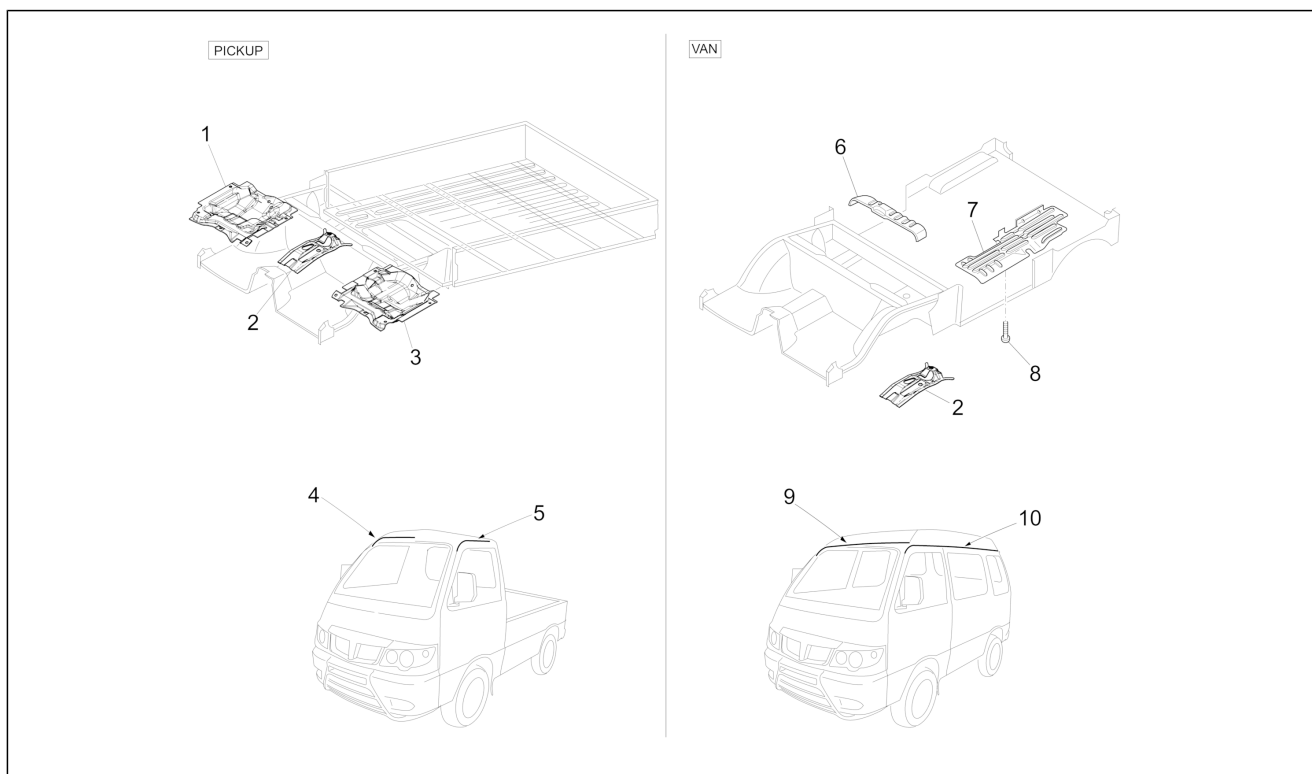
Pos.	Code	Beschreibung	Menge	Varianten
1	56530R	Sicherheitsgurt DX	1	
2	56535R	Sicherheitsgurt DX	1	
3	56531R	Sicherheitsgurt SX	1	
4	56536R	Sicherheitsgurt SX	1	
5	B026153	Bef.Schraube Sicherheitsgurte	2	
6	9004871062000	Deckel D20	4	
7	56538R	Sicherheitsgurt	1	

Einheit	Fahrgestell - Plastformteil - Karosserien
Code	02.15
Beschreibung	Dachpaneel
Inspektion	1



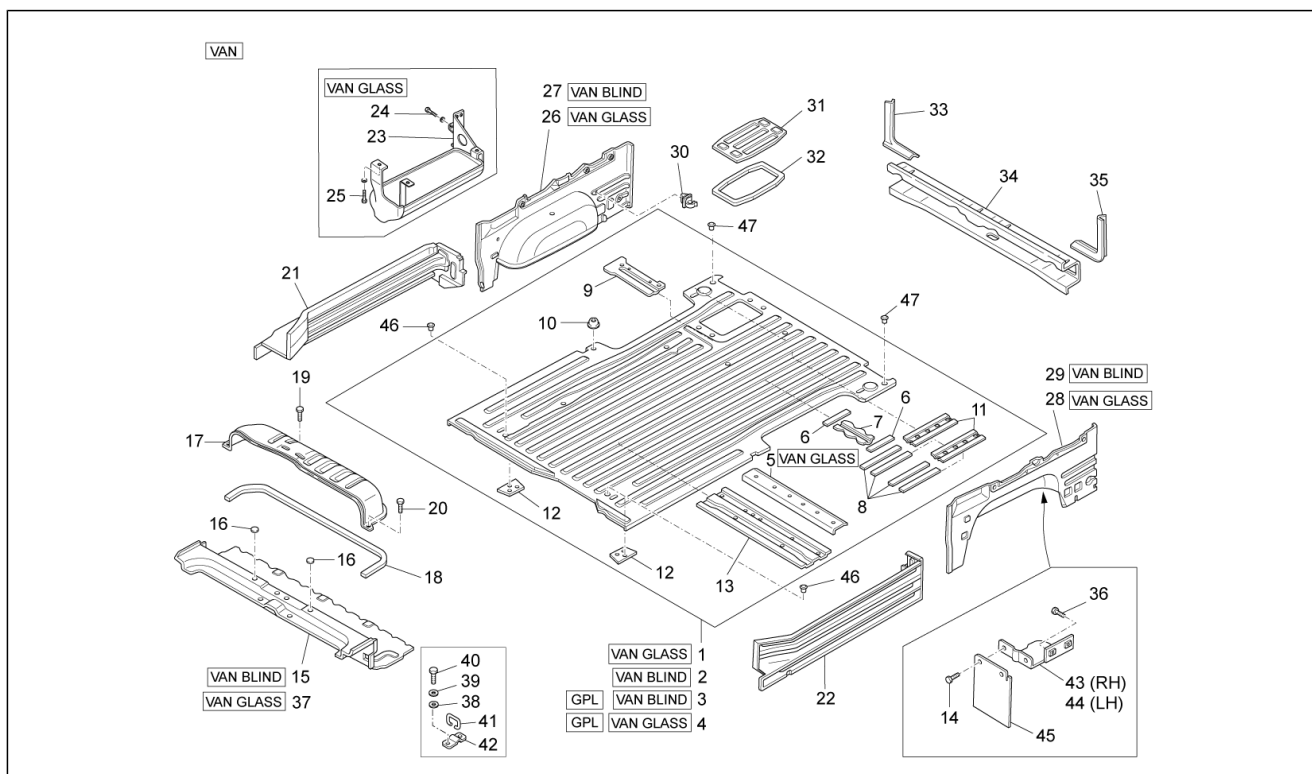
Pos.	Code	Beschreibung	Menge	Varianten
1	6311187Z02000	Dachverkleidung	1	
2	6313287Z01000	Innere verkleidung	1	
3	261443	Spiegel	1	
4	6314187Z01000	Spiegel	1	
5	D9004159292	Flanschschraube	4	
6	261444	Spiegel	1	
7	6314287Z01000	Spiegel	1	
8	6313487Z01000	Traverse, oben	1	
9	6311187Z01000	Dachverkleidung	1	
10	6331187Z02030	Kabinenhimmel	1	
11	6331287Z01030	Kabinenhimmel	1	
12	6331387Z01030	Kabinenhimmel	1	
13	6339187Z01030	Verkleidung kabinenhimmel	1	
14	6339287Z01030	Verkleidung kabinenhimmel	1	
15	613694	Verkleidung	1	

Einheit	Fahrgestell - Plastikformteil - Karosserien
Code	02.16
Beschreibung	Isolierpaneele - Zierleisten
Inspektion	1



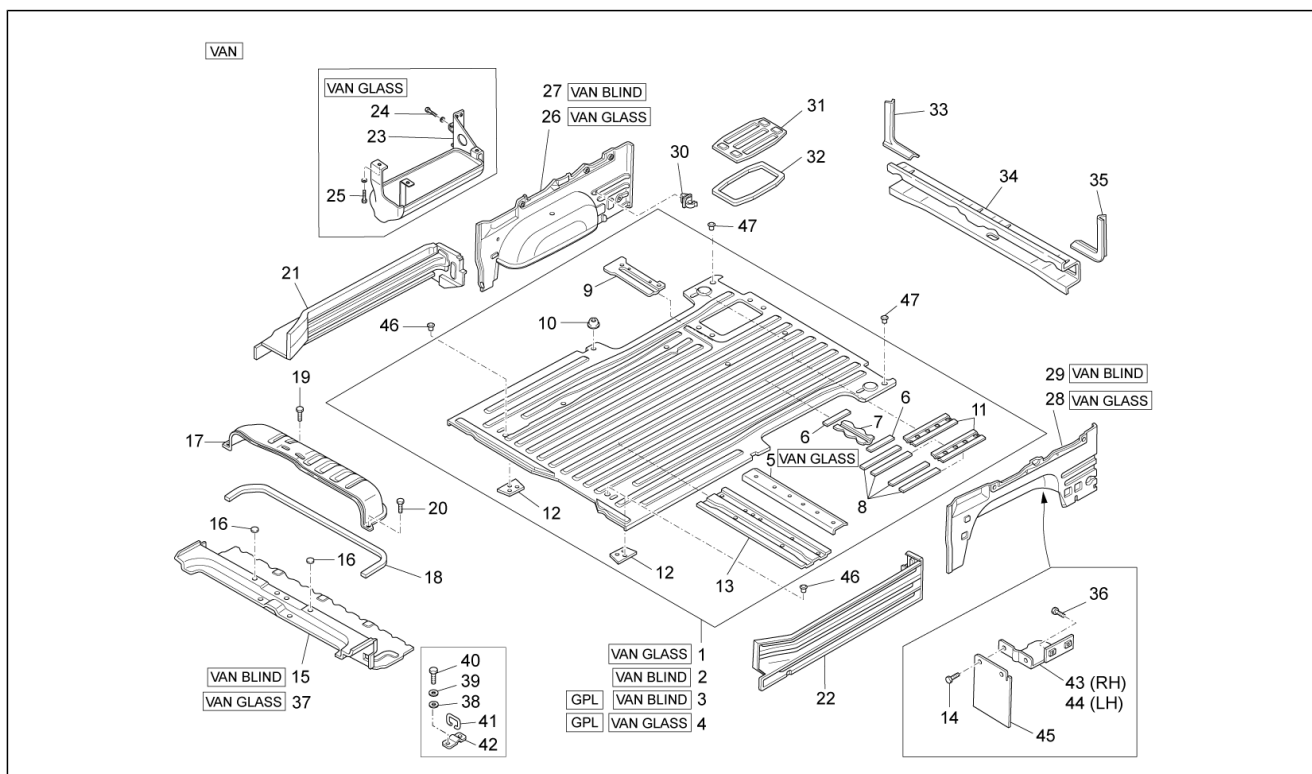
Pos.	Code	Beschreibung	Menge	Varianten
1	B007229	Isolierung unter Sitz rechts	1	
2	B007231	Isolierung unter Sitz Mitte	1	
3	B007230	Isolierung unter Sitz links	1	
4	7555187Z03000	Sims rechts	1	
5	D7555287Z03	Sims links	1	
6	5832987Z08000	Schalldämpfer	1	
7	B004135	Schutz	1	
8	9359016014000	Schraubbolzen	4	
9	7555187Z04000	Sims rechts	1	
10	7555287Z04000	Sims links	1	

Einheit	Fahrgestell - Plastikformteil - Karosserien
Code	02.17
Beschreibung	Hinteres Bodenpaneel
Inspektion	1



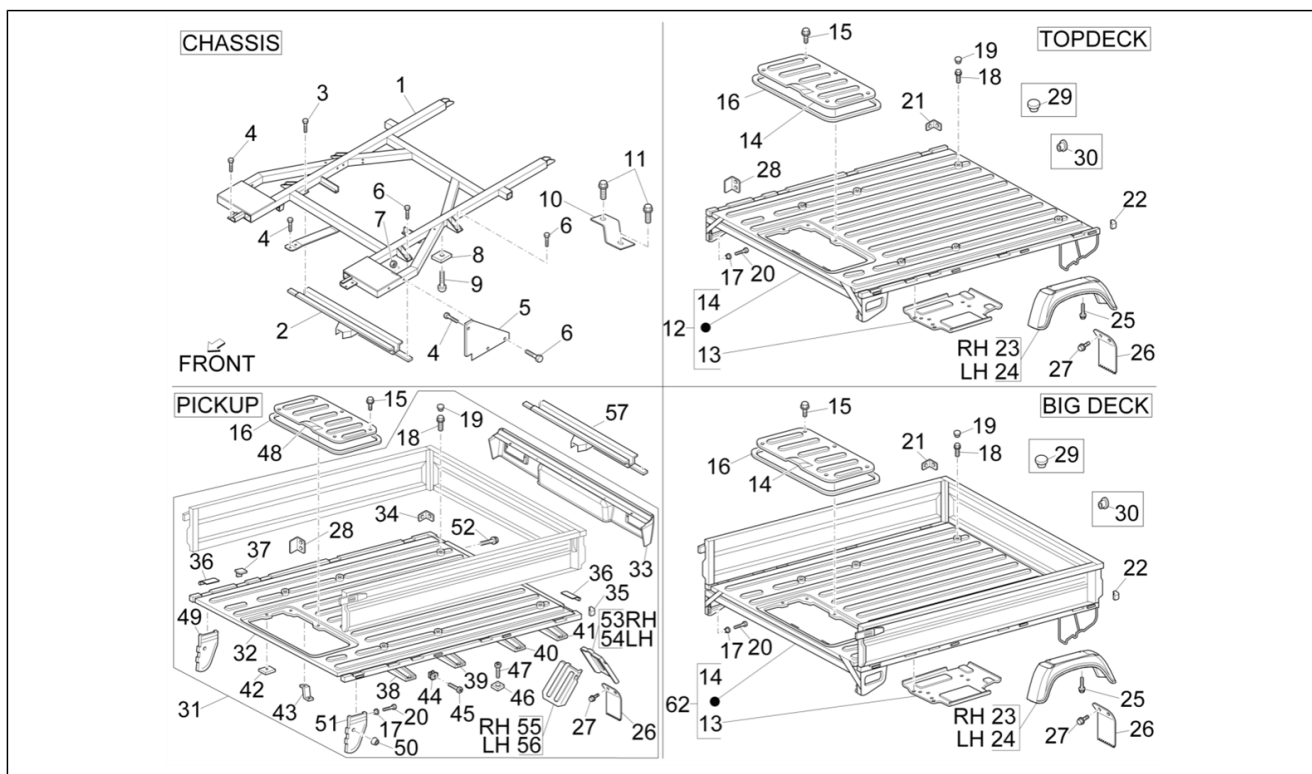
Pos.	Code	Beschreibung	Menge	Varianten
1	CM0401115	Hinterer Boden	1	
2	CM0401095	Hinterer Boden	1	
3	CM0401105	Hinterer Boden	1	
4	CM0401125	Hinterer Boden	1	
5	5760787Z01000	Querträger	1	
6	5864587Z01000	Hintere bodenplatte	2	
7	5835987Z01000	Befestigung ersatzrad	1	
8	5863687Z01000	Platte	4	
8	1E002207	Flachstange 530x50x15	11	
9	B005359	Bodenverstärkung	1	
10	5852387Z01000	Haken	1	
11	5838587Z02000	Platte	2	
11	1E002193	Befestigungsplatte Ballaste	1	
12	5836787Z02000	Platte, rechts	2	
13	B0056345	Bodenverstärkung	1	
14	9004119341000	Schraubbolzen	4	
15	5802187Z13000	Vordere verkleidung	1	
16	D9004874004	Deckel	2	
17	5840187Z05000	Inspektionsklappe motor	1	
18	5843587Z03000	Dichtung	1	
19	9165140814000	Schraube	4	
20	9162140614000	Schraubbolzen	8	
21	5740587Z02000	Rechte führung	1	
22	5740687Z02000	Linke führung	1	
23	B007194	Trittbrett	1	
24	9004119260000	Schraubbolzen	2	
25	D9165160818	Sechskantschraube	4	
26	5803587Z01000	Rechte Verkleidung	1	

Einheit	Fahrgestell - Plastikformteil - Karosserien
Code	02.17
Beschreibung	Hinteres Bodenpaneel
Inspektion	1



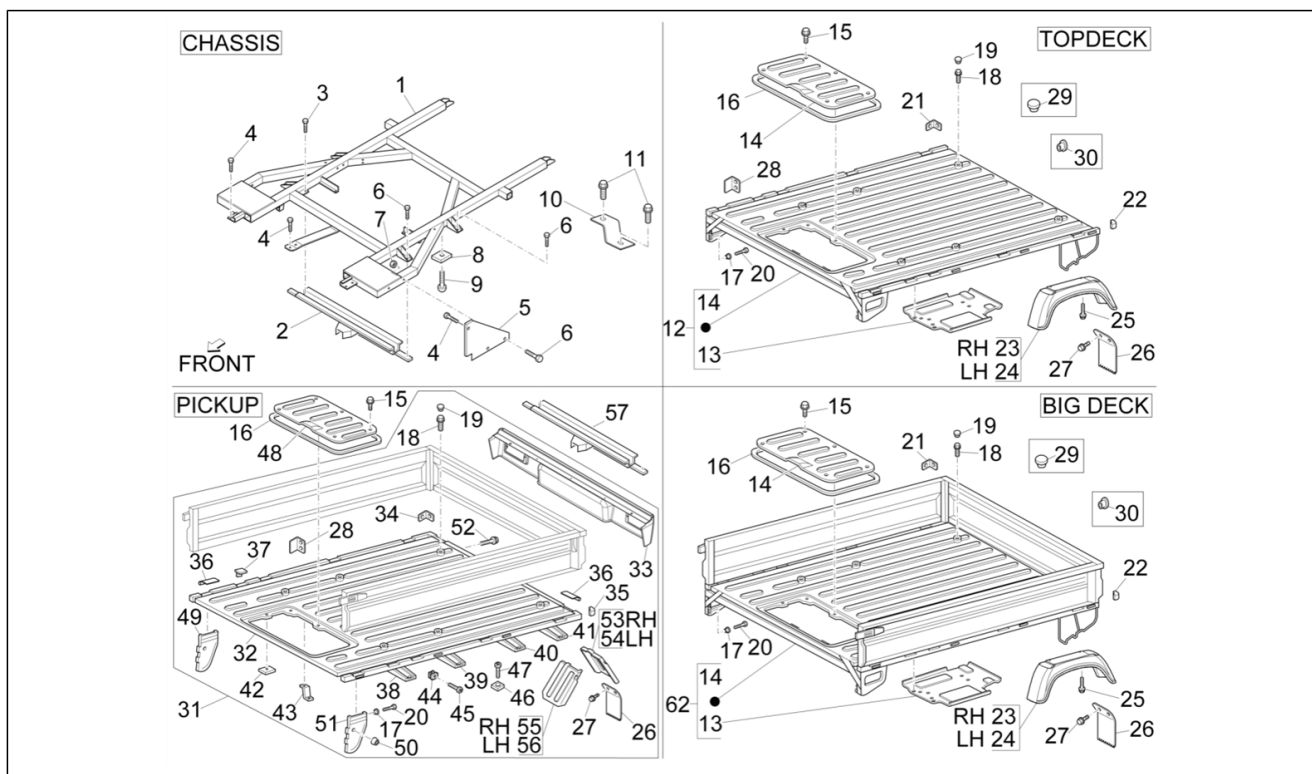
Pos.	Code	Beschreibung	Menge	Varianten
27	5766187Z01000	Rechte Verkleidung	1	
28	D5803687Z03	Not available	1	
29	D5803687Z02	Not available	1	
30	9004468084000	Schelle	3	
31	5510887Z01000	Batterieabdeckung	1	
32	5517887Z01000	Dichtung batterieabdeckung	1	
33	5766387Z01000	Paneel Seitenteil außen re	1	
34	5830787Z01000	Hinterer Querträger	1	
35	5766487Z01000	Verkleidung hinten links	1	
36	D9162140612	TE Schr. m. Flansch	4	
37	5695815	Vordere verkleidung	1	
38	016406	Federring 6,4x11,8x1	8	
39	013777	Unterlegscheibe 6.4x13x1.5	8	
40	031089	Sechskantschraube M6x18	8	
41	D3852187Z01	Haken	4	
42	B004695	Befestigungspl. Haken	4	
43	5389387Z01000	Befestigung hinterer rechter kotflügel	1	
44	5389487Z01000	Befestigung hinterer linker kotflügel	1	
45	5389687Z01000	Hinteres schutzblech	2	
46	D9004871033	Verschlusschraube	2	
47	D9004871099	Verschlusschraube	2	
48	1E002205	Sechskantschraube M8x30	4	
49	1E001995	Sechskantschraube M8x45	4	
50	1E002206	Sechskantschraube M8x90	2	
51	003058	Flachscheibe 15x8,4x1,5	10	

Einheit	Fahrgestell - Plastikformteil - Karosserien
Code	02.18
Beschreibung	Offene Ladefläche
Inspektion	1



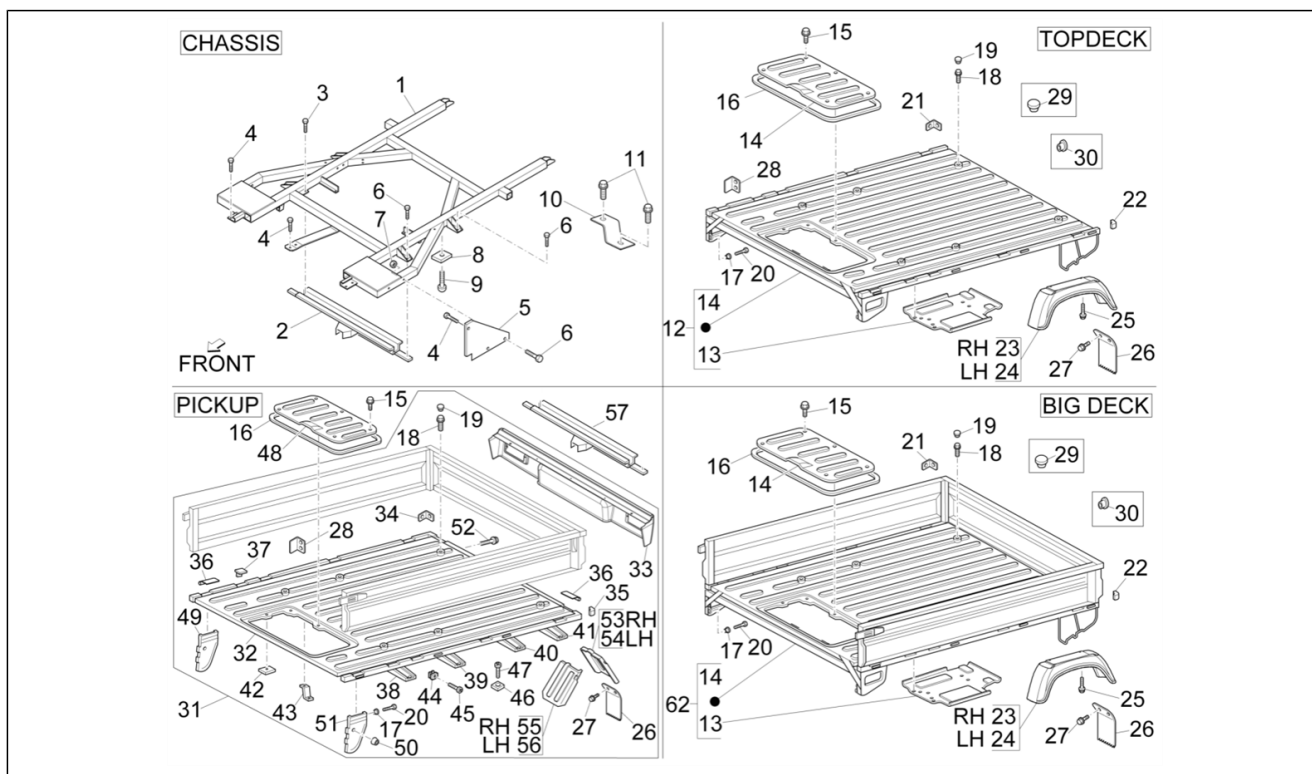
Pos.	Code	Beschreibung	Menge	Varianten
1	1E0017495	Gegenrahmen	1	
2	1E0015145	Querstrebe	1	
3	D9165140614	Sechskantschraube	4	
4	D9165140820	Sechskantschraube	8	
5	5121387Z01000	Platte	2	
6	9165141025000	Schraubbolzen	12	
7	9418041000000	Mutter	4	
8	9004541144000	Puffer	2	
9	9352014014000	Befestigungsschraube	2	
10	B004423	Haltebügel	2	
11	D9165141028	TE Schr. m. Flansch	4	
12	B0071465	Festes bodenblech	1	
12	1E0018475	Ladefläche ohne Seitenwände	1	Modell: Für Modelle mit LPG[GPL]
13	2614385	Tafel	1	
14	263207	Inspektionsklappe motor	1	
15	9004119302000	Sechskantschraube	6	
16	5516687Z02000	Dichtung	1	
17	D6644387Z01	Dichtung	4	
18	D9165141028	TE Schr. m. Flansch	8	
19	B004631	Verschluss schw.	8	
20	D9165140820	Sechskantschraube	11	
21	6633187Z01000	Puffer	1	
22	6633287Z01000	Puffer	1	
23	645569	Kotflügel hinten rechts	1	
24	645568	Kotflügel hinten links	1	
25	9004119537000	Schraubbolzen	8	
26	B007640	Hinteres, Spritzschutz	2	
27	9163140612000	Schraube	4	

Einheit	Fahrgestell - Plastikformteil - Karosserien
Code	02.18
Beschreibung	Offene Ladefläche
Inspektion	1



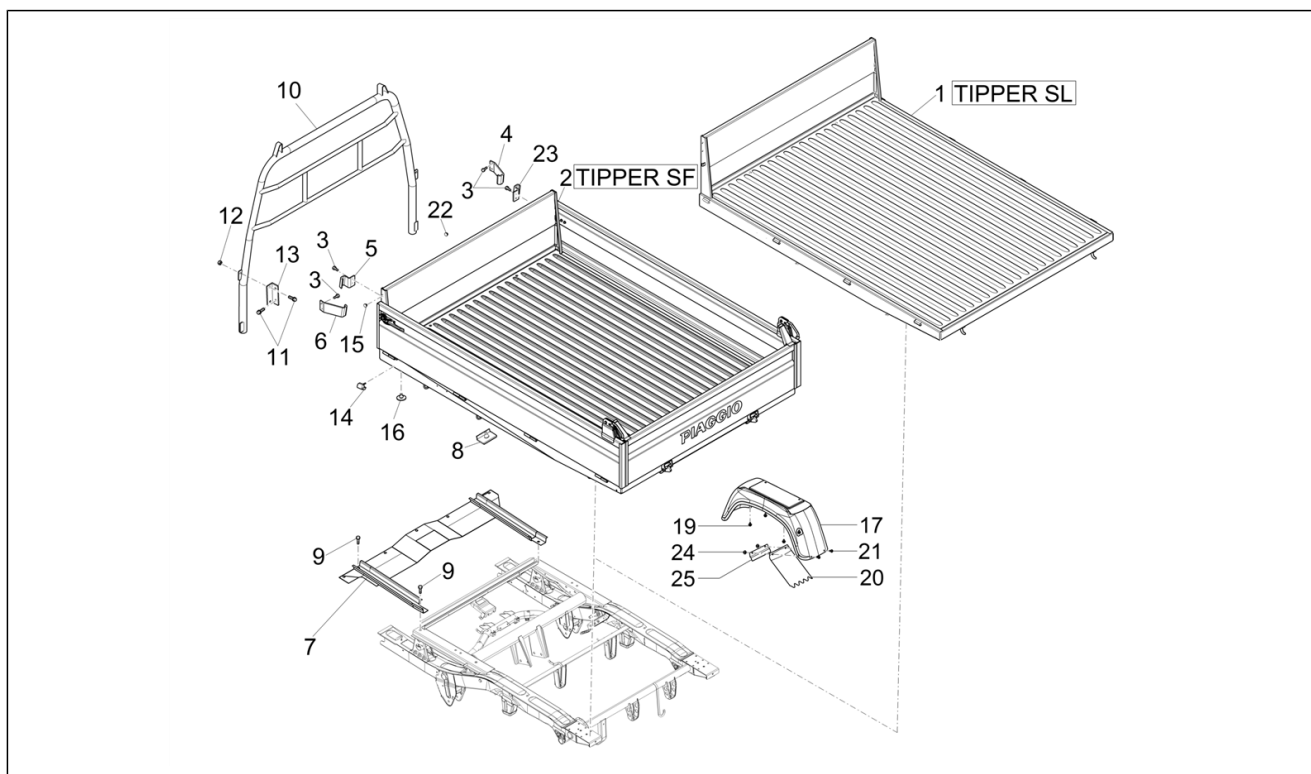
Pos.	Code	Beschreibung	Menge	Varianten
28	565380	Puffer	2	
29	212400	Verschuß schw.	6	
30	190517	Verschlußschraube	4	
31	6501187Z07000	Festes bodenblech	1	
32	D6531187Z035	Hinteres bodenblech	1	
33	493717	Hinterer Querträger	1	
34	6633187Z01000	Puffer	1	
35	6633287Z01000	Puffer	1	
36	6611287Z01000	Gelenk	11	
37	6631387Z01000	Haken	6	
38	6510287Z03000	Querträger	1	
39	6510487Z02000	Querträger	1	
40	6510587Z01000	Querträger	1	
41	6510687Z02000	Querträger	1	
42	9004876010000	Flanschnutter	5	
43	5826687Z01000	Winkel	1	
44	D9004189019	Kabelführung	2	
45	9358016012000	Sechskantschraube	2	
46	9004541144000	Puffer	2	
47	9352014014000	Befestigungsschraube	2	
48	6640187Z03000	Inspektionsklappe motor	1	
49	6531387Z01000	Rechte Verkleidung	1	
50	6632187Z01000	Puffer	2	
51	6531487Z01000	Linke Verkleidung	1	
52	9338516014000	Schraube	1	
53	6530587Z01000	Kotflügel hinten rechts	1	
54	6530687Z01000	Kotflügel hinten links	1	
55	6531787Z01000	Kotflügel hinten rechts	1	

Einheit	Fahrgestell - Plastikformteil - Karosserien
Code	02.18
Beschreibung	Offene Ladefläche
Inspektion	1



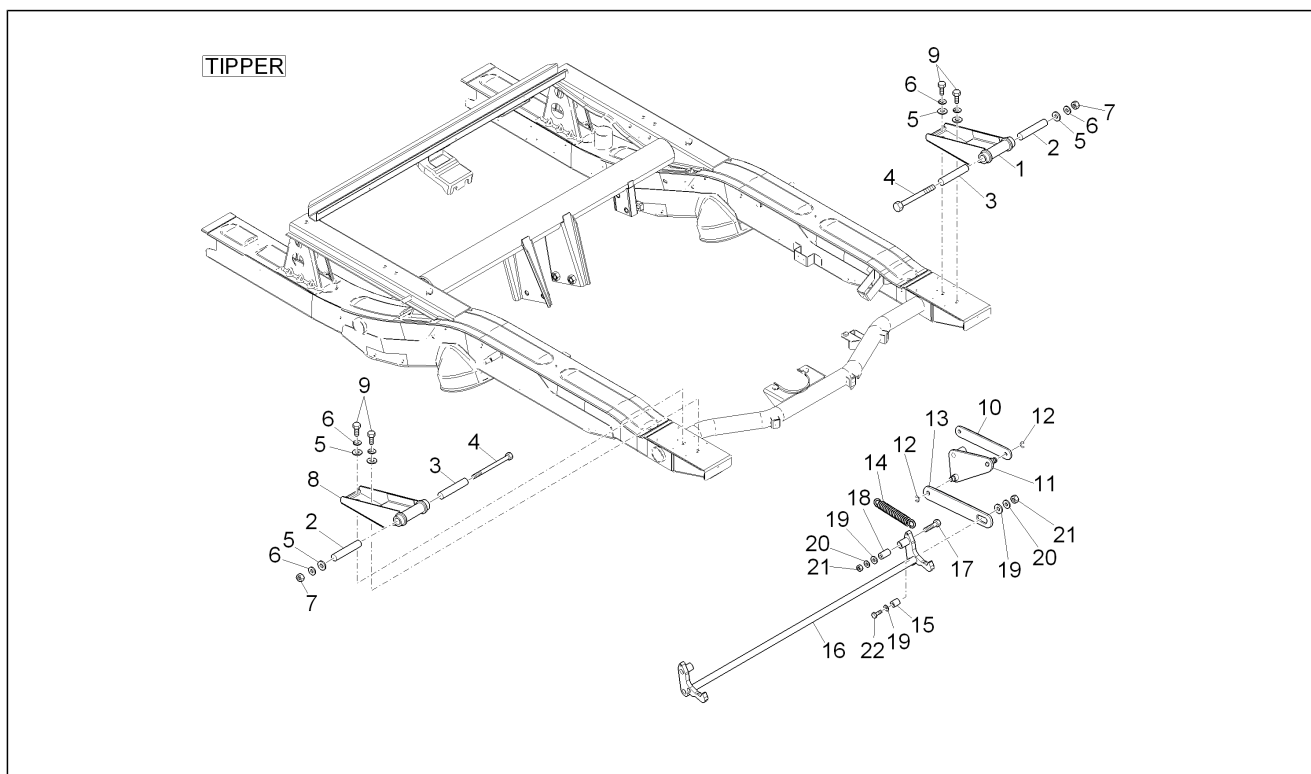
Pos.	Code	Beschreibung	Menge	Varianten
56	6531887Z01000	Kotflügel hinten links	1	
57	1E0018735	Querstrebe	1	
62	B0071455	Festes Bodenblech	1	

Einheit	Fahrgestell - Plastikformteil - Karosserien
Code	02.19
Beschreibung	Offene Ladefläche - (Tipper)
Inspektion	1



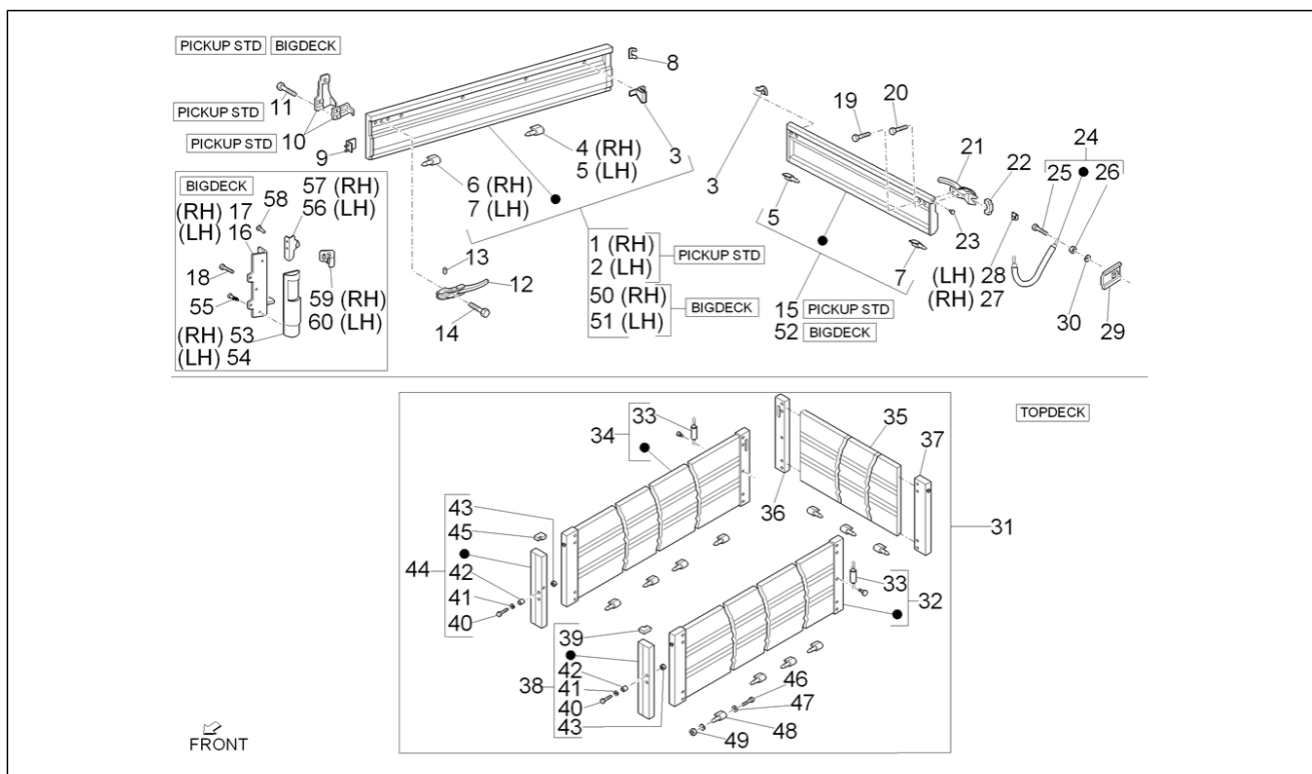
Pos.	Code	Beschreibung	Menge	Varianten
1	B0056795	Kippfläche mit nicht abbaubaren teilen	1	
2	B0060475	Kippwagenkasten	1	
3	D9166160820	TE Schr. m. Flansch	8	
4	614268	Rechte haken	1	
5	615530	Linke haken	1	
6	614269	Linke haken	1	
7	644643	Klappbare Motorraumabdeckung	1	
8	645670	Mittelpuffer Ladeflächenauflage	2	
9	D9165141028	TE Schr. m. Flansch	4	
10	646244	Roll-bar	1	
11	D9165160820	Sechskantschraube	4	
12	020008	Mutter M8	2	
13	644638	Bügel	2	
14	567732	Anschlagpuffer	4	
15	9004871154000	Deckel	2	
16	645795	Puffer	2	
17	645569	Kotflügel hinten rechts	1	
17	645568	Kotflügel hinten links	1	
19	9004119537000	Schraubbolzen	8	
20	B007640	Hinteres, Spritzschutz	2	
21	9163140612000	Schraube	4	
22	B000713	Verschlusschraube	1	
23	615529	Rechte haken	1	
24	261317	Mutter M6x1	4	
25	B023394	Hinterer Steigbügel	2	

Einheit	Fahrgestell - Plastikformteil - Karosserien
Code	02.20
Beschreibung	Ladeflächenbauteile
Inspektion	1



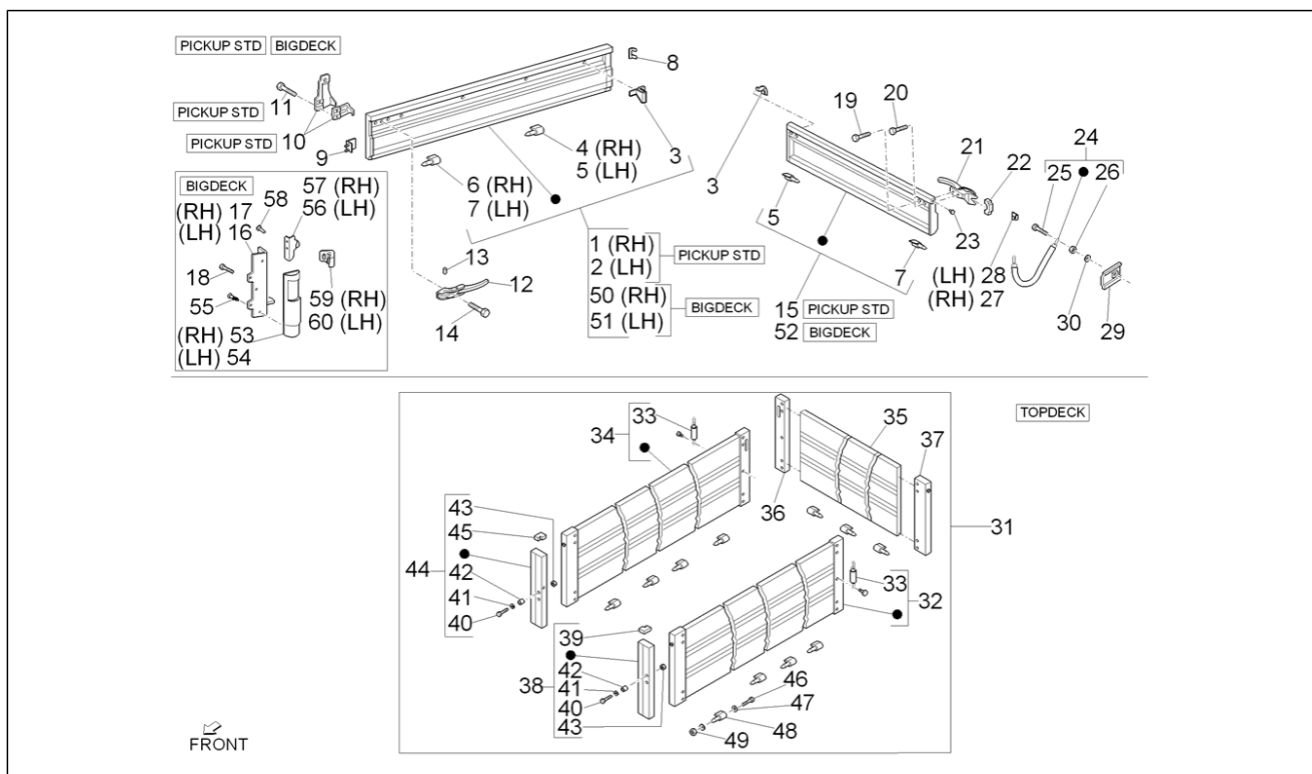
Pos.	Code	Beschreibung	Menge	Varianten
1	B004885	Scharnier rechts	1	
2	1180224	Distanzscheibe	2	
3	118020	Hülse	2	
4	030113	Schraube	2	
5	0030404	Unterlegscheibe	6	
6	016410	Unterlegscheibe 17,6x11x2,5	6	
7	020110	Mutter M10 6H	2	
8	B004886	Scharnier links	1	
9	264886	Schraube	4	
10	B000339	Öffnungshebel	1	
11	B000337	Öffnungshebel Heckwand	1	
12	620970	Sprengring	4	
13	B000340	Externer Hebel	1	
14	B007502	Feder	1	
15	B004913	Buchse	1	
16	B004881	Haken Heckwand	1	
17	030077	Schraubbolzen M8x55	2	
18	B004914	Buchse	2	
19	002383	Unterlegscheibe M20x8.5x2	3	
20	016408	Sprengscheibe 13,75x8,15x4,5	3	
21	020108	Mutter M8x6,5	3	
22	030072	Sechskantschraube M8x35	3	

Einheit	Fahrgestell - Plastikformteil - Karosserien
Code	02.21
Beschreibung	Ladeflächen-Bordwände
Inspektion	1



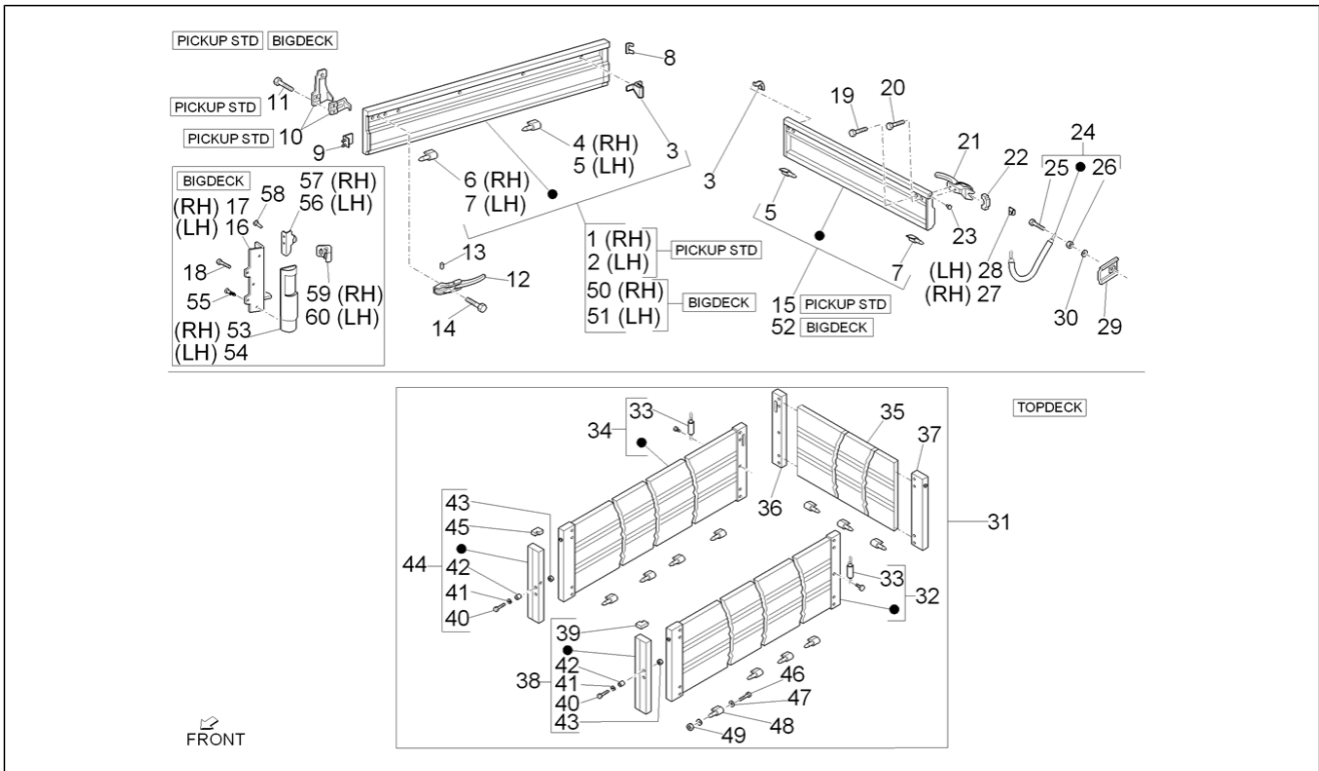
Pos.	Code	Beschreibung	Menge	Varianten
1	1E002296	Ladeflächen-Bordwand rechts komplett	1	
2	1E002295	Ladeflächen-Bordwand links komplett	1	
3	6631187Z01000	Haken	10	
4	6507187Z01000	Türscharnier seitentür	3	
5	264753	Gelenk	3	
5	6507387Z01000	Scharnier links	5	
6	6507287Z01000	Scharnier rechts	1	
7	6507487Z01000	Scharnier links	2	
8	6614887Z01000	Schutz klappenverschluß	2	
9	565380	Puffer	2	
10	6615187Z01000	Platte	1	
11	D9166160820	TE Schr. m. Flansch	4	
12	6610187Z01000	Schloss	2	
13	6614687Z01000	Puffer	2	
14	9162140610000	Schraubbolzen	2	
15	1E002188	Bordwand hinten	1	
16	264045	Schild	1	
17	264046	Schild	1	
18	D9165160820	Sechskantschraube	4	
19	9165140610000	Schraube	6	
20	9165140614000	Schraubbolzen	2	
21	6620187Z01000	Schloss	2	
22	6614787Z01000	Puffer	2	
23	9004871154000	Deckel	2	
24	6628087Z01000	Kette hintere ladeklappe	2	
25	9004105170000	Schraubbolzen	1	
26	D9411040600	Mutter	1	
27	6628787Z01000	Plättchen, rechts	1	

Einheit	Fahrgestell - Plastikformteil - Karosserien
Code	02.21
Beschreibung	Ladeflächen-Bordwände
Inspektion	1



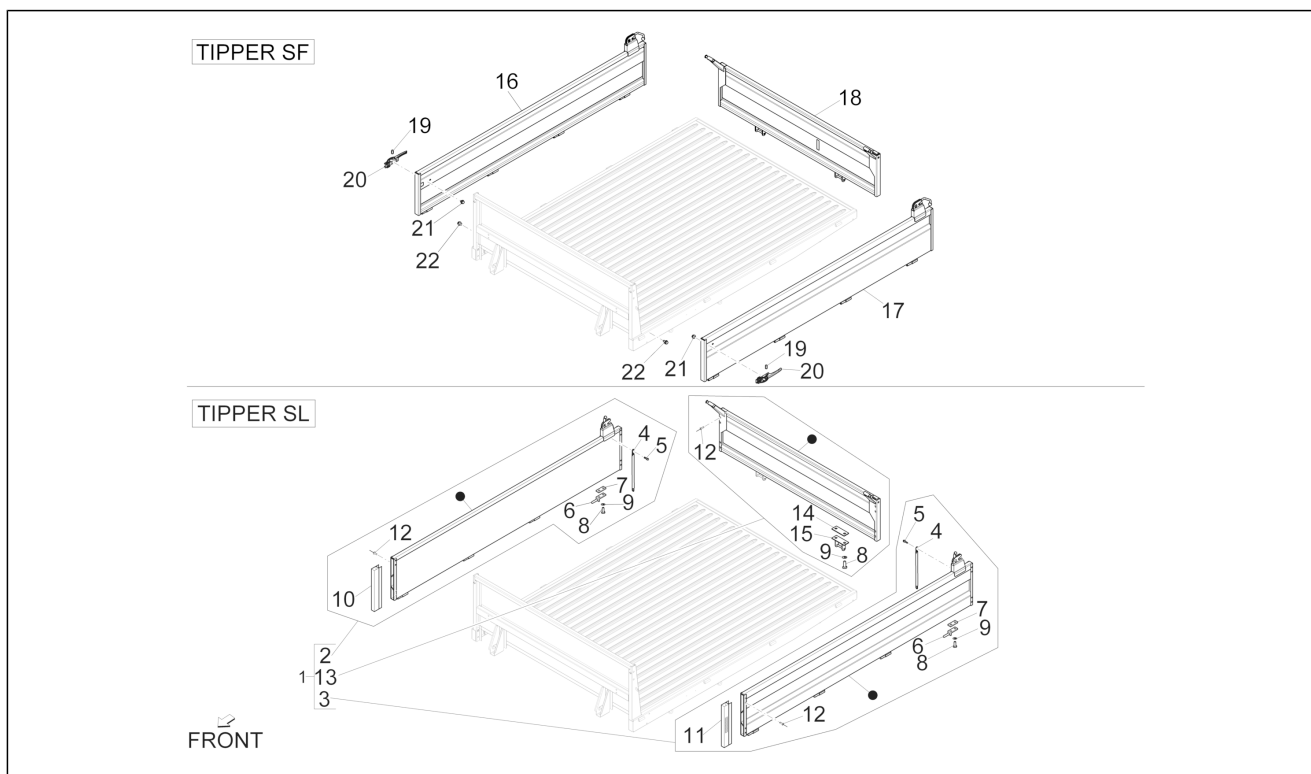
Pos.	Code	Beschreibung	Menge	Varianten
28	6628887Z01000	Plättchen, links	1	
29	6628987Z01000	Halter	2	
30	D9461410600	Flachscheibe	2	
31	612078	Set hohe Bordwände	1	
32	612080	Seitliche Bordwand links	1	
33	612104	Komplette Schutzkette	2	
34	612079	Seitliche Bordwand rechts	1	
35	612081	Heckklappe	1	
36	612089	Winkelisen rechts	1	
37	612090	Winkelisen links	1	
38	612087	Winkelisen links	1	
39	612098	Verschlusschraube links	1	
40	612099	Schraube	4	
41	003058	Flachscheibe 15x8,4x1,5	4	
42	612109	Distanzscheibe	4	
43	612100	Mutter	4	
44	612086	Winkelisen rechts	1	
45	612097	Verschlusschraube rechts	1	
46	018592	Schraube	8	
47	016345	Unterlegscheibe	8	
48	264753	Gelenk	4	
49	264755	Mutter	4	
50	567821	Seitliche Bordwand rechts	1	
51	567820	Seitliche Bordwand links	1	
52	263195	Klappe komplett	1	
53	263547	Schutz	1	
54	263548	Schutz	1	
55	018508	Schraube	6	

Einheit	Fahrgestell - Plastikformteil - Karosserien
Code	02.21
Beschreibung	Ladeflächen-Bordwände
Inspektion	1



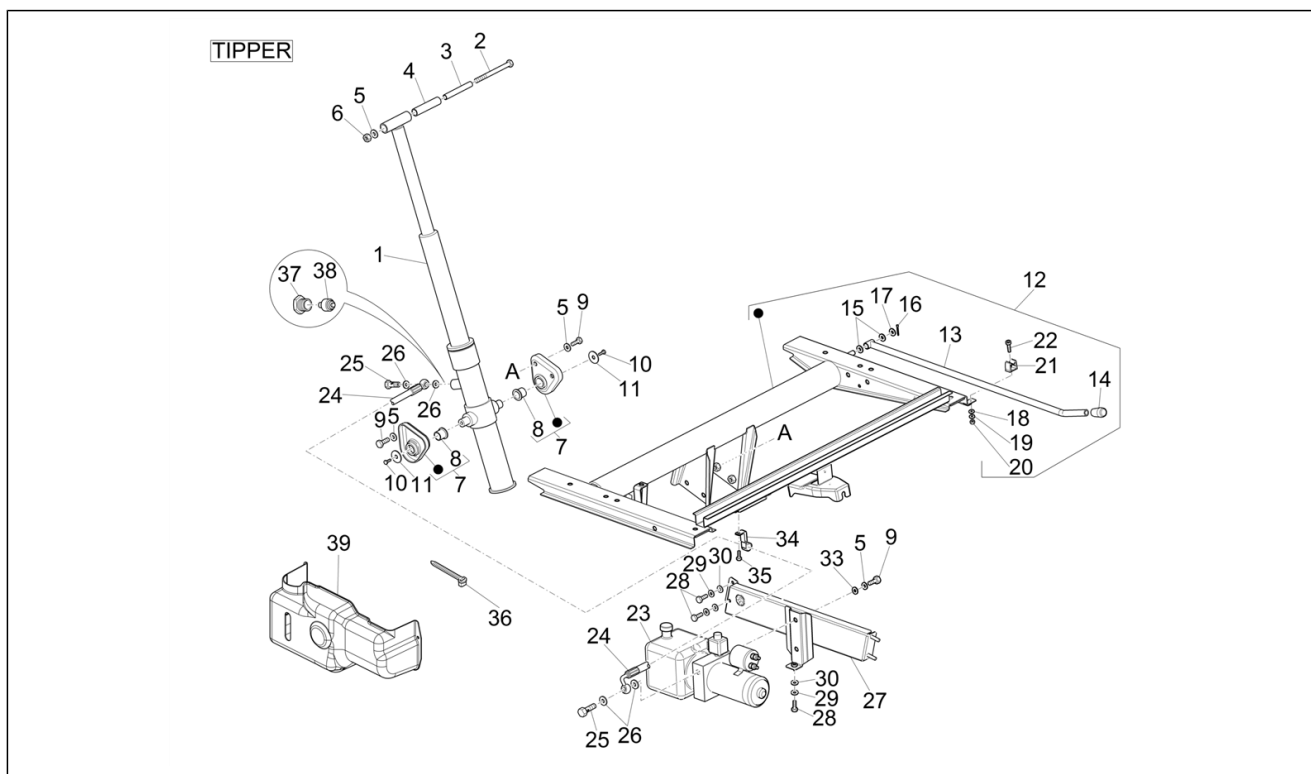
Pos.	Code	Beschreibung	Menge	Varianten
56	263214	Linke haken	1	
57	263544	Rechte haken	1	
58	216738	Schraube	4	
59	6633187Z01000	Puffer	1	
60	6633287Z01000	Puffer	1	
61	1E002187	Kit Bordwände aus Aluminium	1	

Einheit	Fahrgestell - Plastikformteil - Karosserien
Code	02.22
Beschreibung	Ladeflächen-Bordwände (Tipper)
Inspektion	1



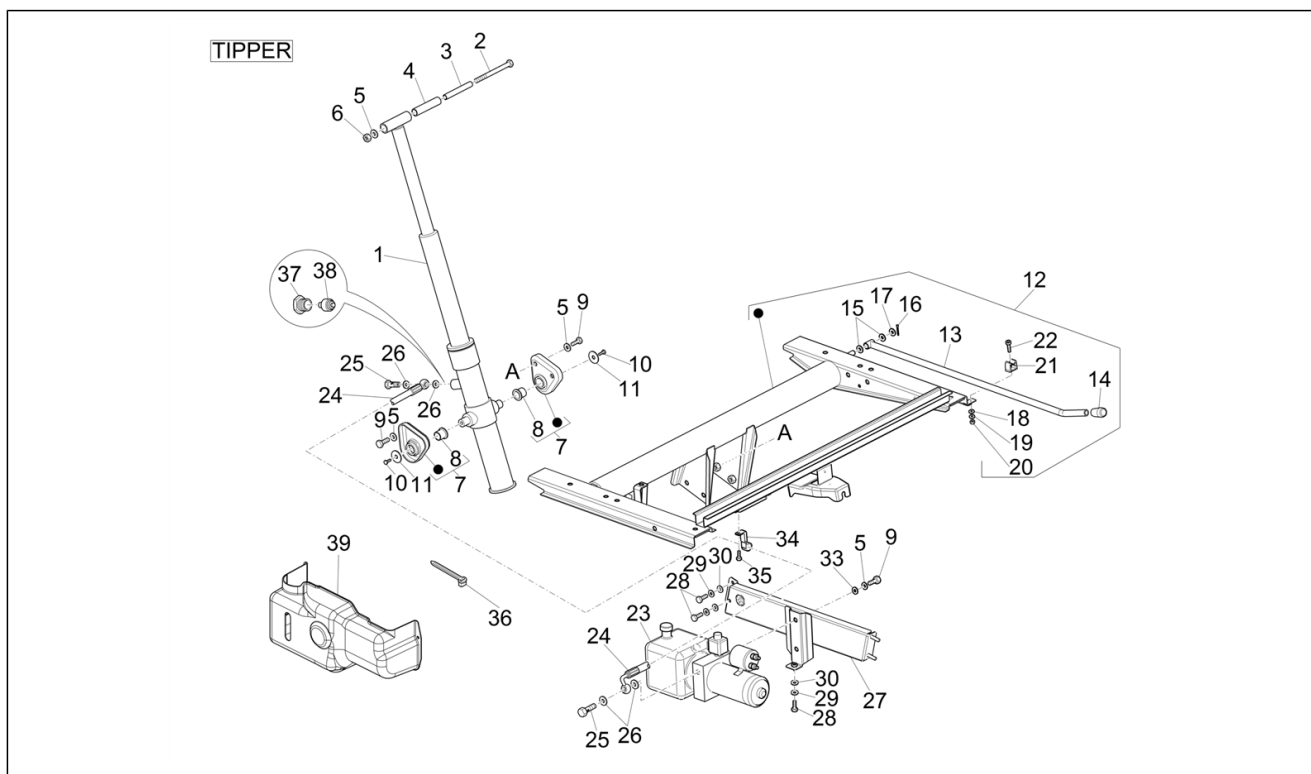
Pos.	Code	Beschreibung	Menge	Varianten
1	B025793	Kit Bordwände aus Aluminium	1	
2	B025795	Ladeflächen-Bordwand rechts komplett	1	
3	B025794	Ladeflächen-Bordwand links komplett	1	
4	B023256	Kette	2	
5	414837	TE Schr. m. Flansch M6x25	2	
6	644318	Gelenk	2	
7	612124	Platte	8	
8	031120	Schraube	20	
9	016408	Sprengscheibe 13,75x8,15x4,5	16	
10	B005127	Griff re.	1	
11	B005126	L. Griff	1	
12	245736	Kunststoffniet	16	
13	B005123	Hintere klappe komplett	1	
14	B000224	Platte	2	
15	B005125	Gelenk	2	
16	615263	Seitliche Bordwand rechts	1	
17	615261	Seitliche Bordwand links	1	
18	B0051155	Bordwand hinten	1	
19	6614687Z01000	Puffer	2	
20	6610187Z01000	Schloss	2	
21	9165140610000	Schraube	4	
22	9338516014000	Schraube	2	

Einheit	Fahrgestell - Plastikformteil - Karosserien
Code	02.23
Beschreibung	Kippsystem
Inspektion	1



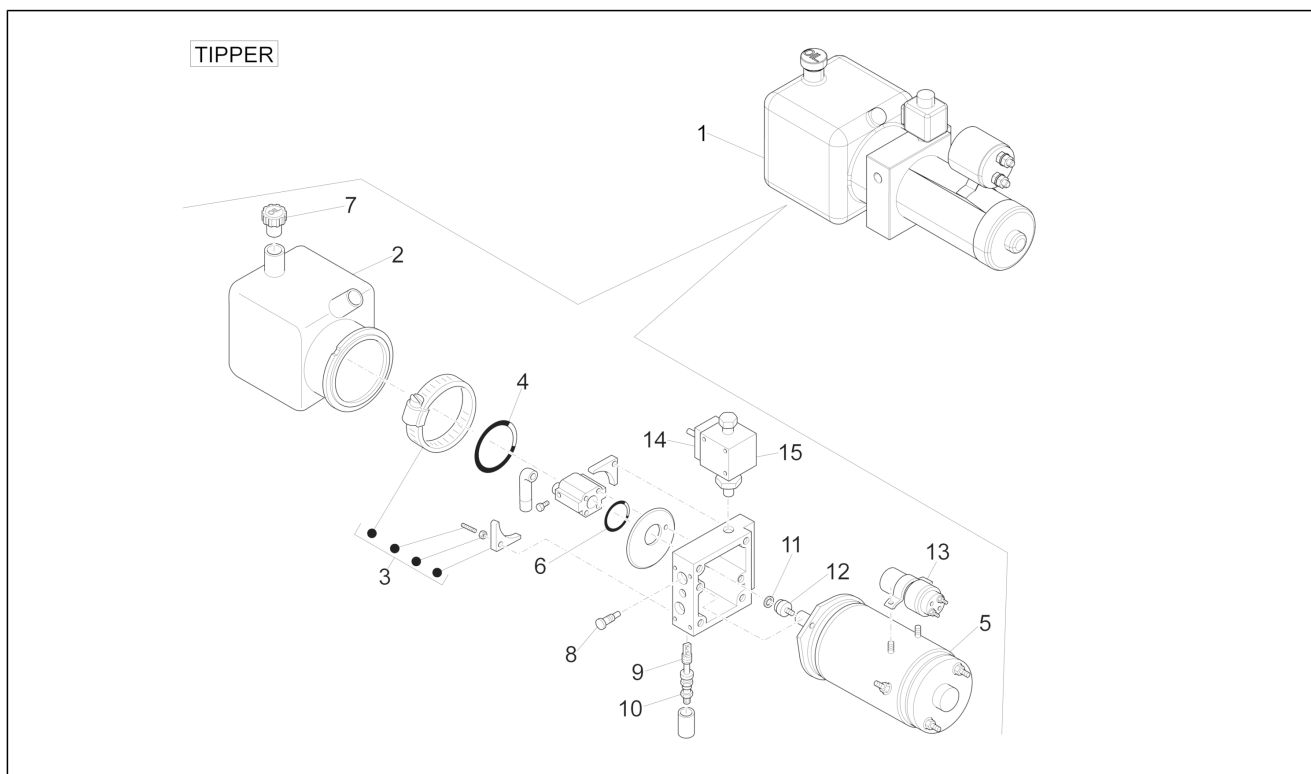
Pos.	Code	Beschreibung	Menge	Varianten
1	56583R	Hydraulischer Hebebock	1	
2	030113	Schraube	1	
3	1180234	Distanzscheibe	1	
4	118020	Hülse	1	
5	016410	Unterlegscheibe 17,6x11x2,5	6	
6	020110	Mutter M10 6H	1	
7	648201	Federteller Winde komplett	2	
8	648205	Buchse	2	
9	031153	Schraubbolzen	6	
10	031115	Schraubbolzen	2	
11	118563	Unterlegscheibe	2	
12	B005677	Gegenrahmen	1	
13	648220	Sicherheitsstange	1	
14	264887	Deckel	1	
15	118745	Unterlegscheibe	1	
16	012778	Splint	1	
17	709037	Flachscheibe 20x12,5x2	1	
18	003055	U.scheibe 5,4x10x0,8	1	
19	016405	Federring 8,5x5,1x1,5	1	
20	020105	Mutter	1	
21	264268	Stangenkupplung	1	
22	D9321955016	Sechskantschraube	1	
23	264266	Verteilerpumpe komplett	1	
24	648225	Schlauch komplett mit anschlossen	1	
24	B005912	Schlauch komplett mit anschlossen	1	
25	565057	Schraube	2	
26	218623	Dichtung	4	
27	661184	Pumpe Lager	1	

Einheit	Fahrgestell - Plastikformteil - Karosserien
Code	02.23
Beschreibung	Kippsystem
Inspektion	1



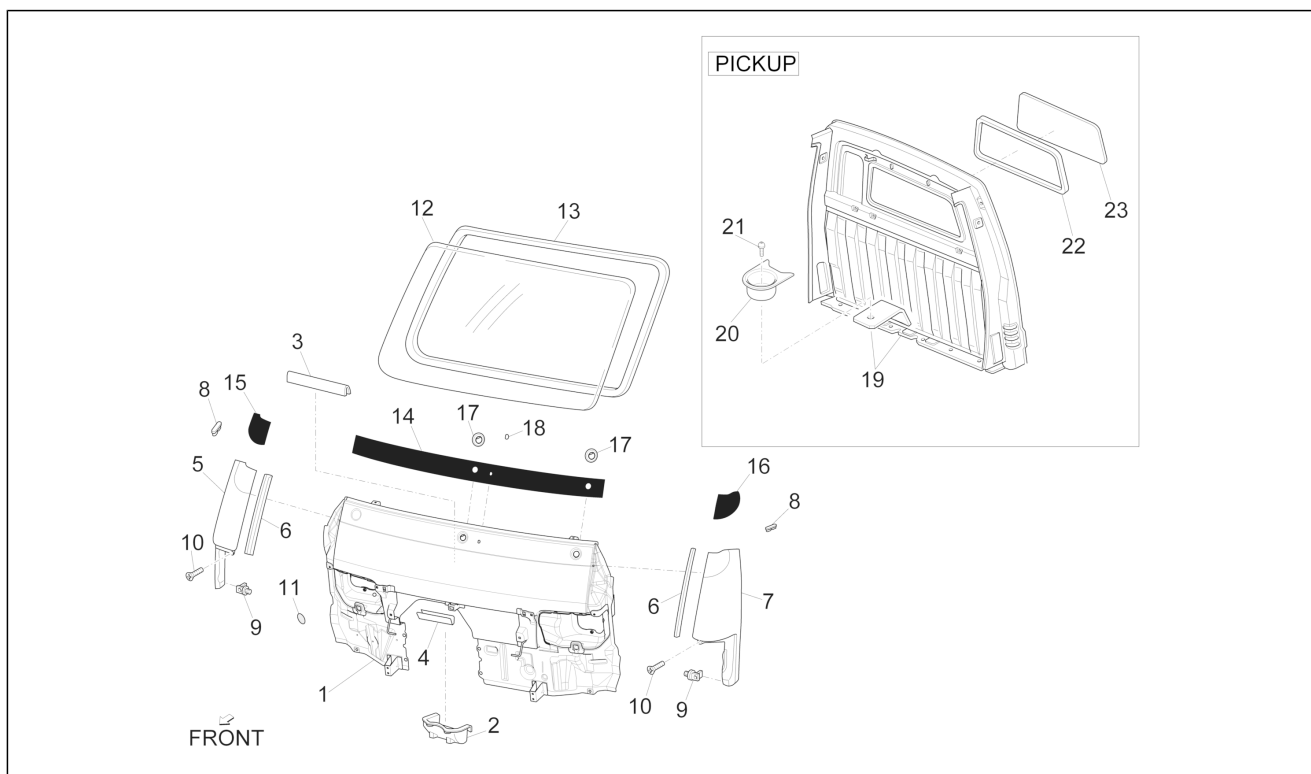
Pos.	Code	Beschreibung	Menge	Varianten
28	837233	Sechskantschraube M8x22	2	
29	003058	Flachscheibe 15x8,4x1,5	2	
30	016408	Sprengscheibe 13,75x8,15x4,5	2	
33	003060	Flachscheibe	2	
34	D9004461423	Schelle	1	
35	D9166140616	Sechskantschraube	1	
36	257134	Reißschelle L=277 mm	1	
37	567245	Anschluss	1	
38	1E002423	Sicherheitsventil	1	
38	567246	Sicherheitsventil	1	
39	611602	Abdeckung pumpenschutz	1	

Einheit	Fahrgestell - Plastikformteil - Karosserien
Code	02.24
Beschreibung	Kipppumpe - Bestandteile
Inspektion	1



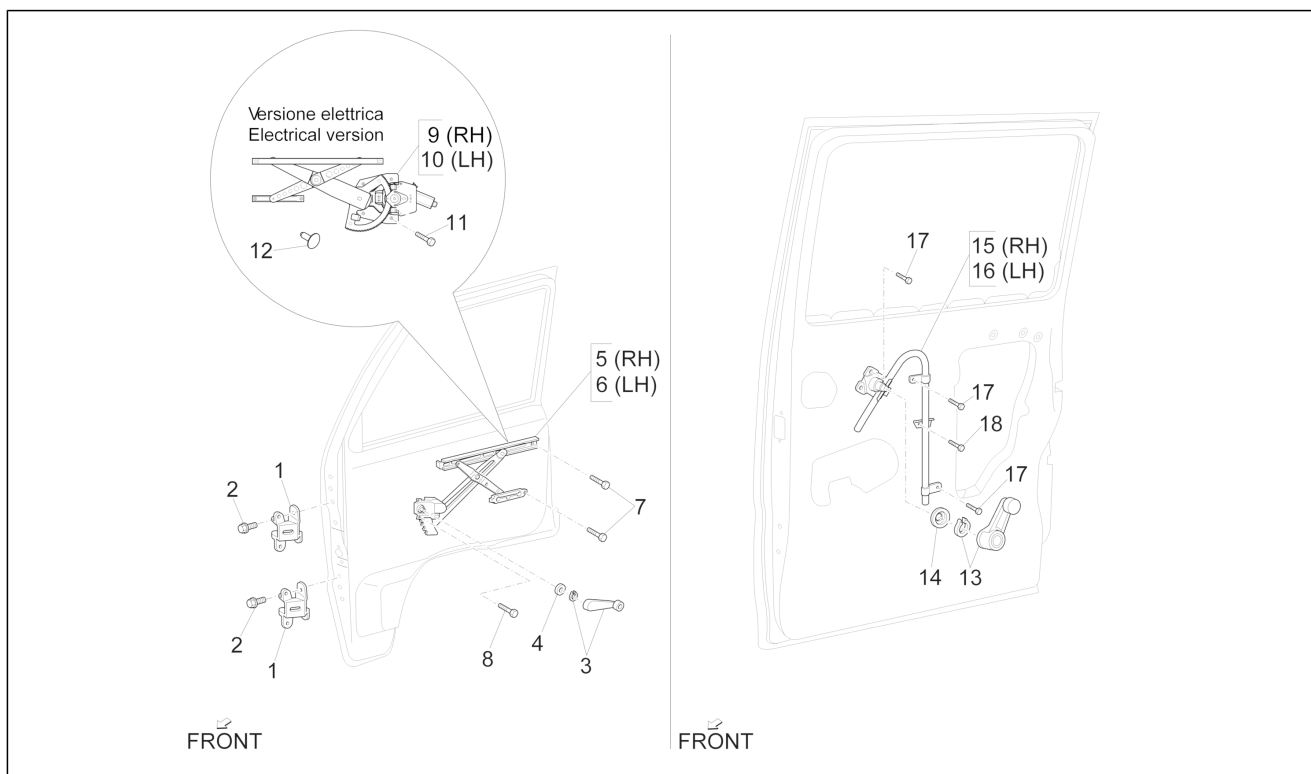
Pos.	Code	Beschreibung	Menge	Varianten
1	56580R	Verteilerpumpe komplett	1	
2	264811	Tank	1	
3	264812	Bausatz	1	
4	264823	O-Ring	1	
5	264816	Motor	1	
6	264822	O-Ring	1	
7	264828	Deckel	1	
8	264819	Ventil	1	
9	264826	Schraube	1	
10	264827	Ventil	1	
11	264821	Ölabstreifring	1	
12	264813	Kreuzgelenk	1	
13	493433	Zündrelais	1	
14	264818	Solenoid	1	
15	264817	Elektroventil	1	

Einheit	Fahrgestell - Plastikformteil - Karosserien
Code	02.25
Beschreibung	Windschutzscheibe - Scheiben
Inspektion	1



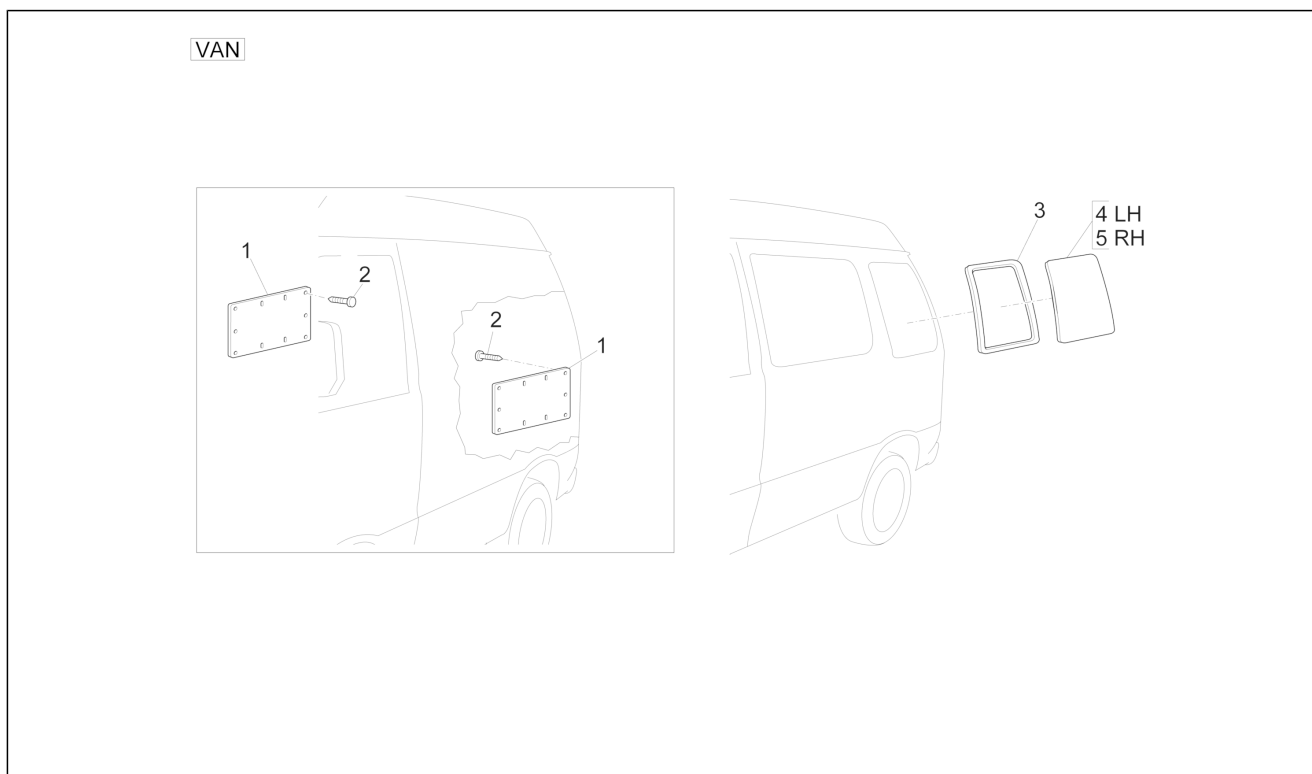
Pos.	Code	Beschreibung	Menge	Varianten
1	1E0011845	Frontpaneel mit Innenteilen	1	
2	D8723987Z02	Deckel	1	
3	D5574187Z01	Schutz	1	
4	565195	Schutz	1	
5	5660835	Vordere verkleidung	1	
6	5382387Z01130	Schutz seitliche vordere Verkleidung	2	
7	5660845	Vordere verkleidung	1	
8	D5382187Z01	Staubschutz	2	
9	D9004467076	Klammer	4	
10	9004159230000	Schraubbolzen	6	
11	D9004874004	Deckel	1	
12	B007324	Windschutzscheibe	1	
13	5612187Z01000	Dichtung windschutzscheibe	1	
14	B000883	Mittlerer Film unter Windschutzscheibe LHD	1	
15	B000882	Film rechts	1	
16	B000881	Film links	1	
17	B000822	Bohrungsschutz	2	
18	B000823	Bohrungsschutz	1	
19	1E0016105	Hintere Trennwand	1	
20	B005327	Flaschenhalter	1	
21	296170	Schraube M6x14	1	
22	6483187Z01000	Fensterdichtung hinten	1	
23	B007327	Heckscheibe grün	1	

Einheit	Fahrgestell - Plastikformteil - Karosserien
Code	02.26
Beschreibung	Fensterheber vorne und hinten
Inspektion	1



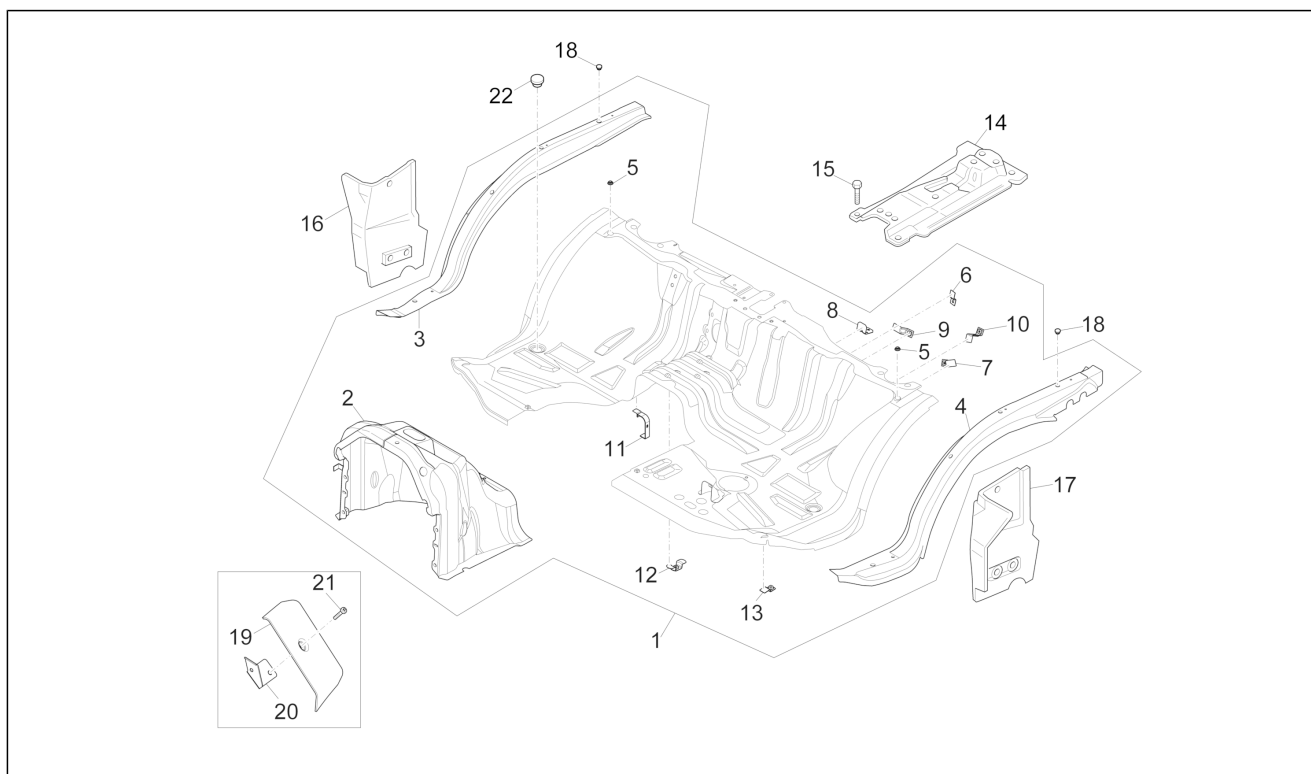
Pos.	Code	Beschreibung	Menge	Varianten
1	6871087Z01000	Türscharnier vorne	4	
2	9004119620000	Schraubbolzen	16	
3	613767	Fensterheber	2	
4	6928587Z01000	Scheibe fensterheber	2	
5	56582R	Scheibenheber rechts	1	
6	56581R	Scheibenheber links	1	
7	9162140610000	Schraubbolzen	4	
8	D9165140612	Sechskantschraube	10	
9	661047	Scheibenheber rechts	1	
10	661048	Scheibenheber links	1	
11	D9165140612	Sechskantschraube	16	
12	098698	Deckel	2	
13	6920787Z01030	Fensterheber	2	
14	6928587Z01000	Scheibe fensterheber	2	
15	B005948	Fensterheber li hinten	1	
16	B005949	Fensterheber re hinten	1	
17	9162140610000	Schraubbolzen	8	
18	D9165140612	Sechskantschraube	6	

Einheit	Fahrgestell - Plastikformteil - Karosserien
Code	02.27
Beschreibung	Hintere Seitenfenster - Paneele
Inspektion	1



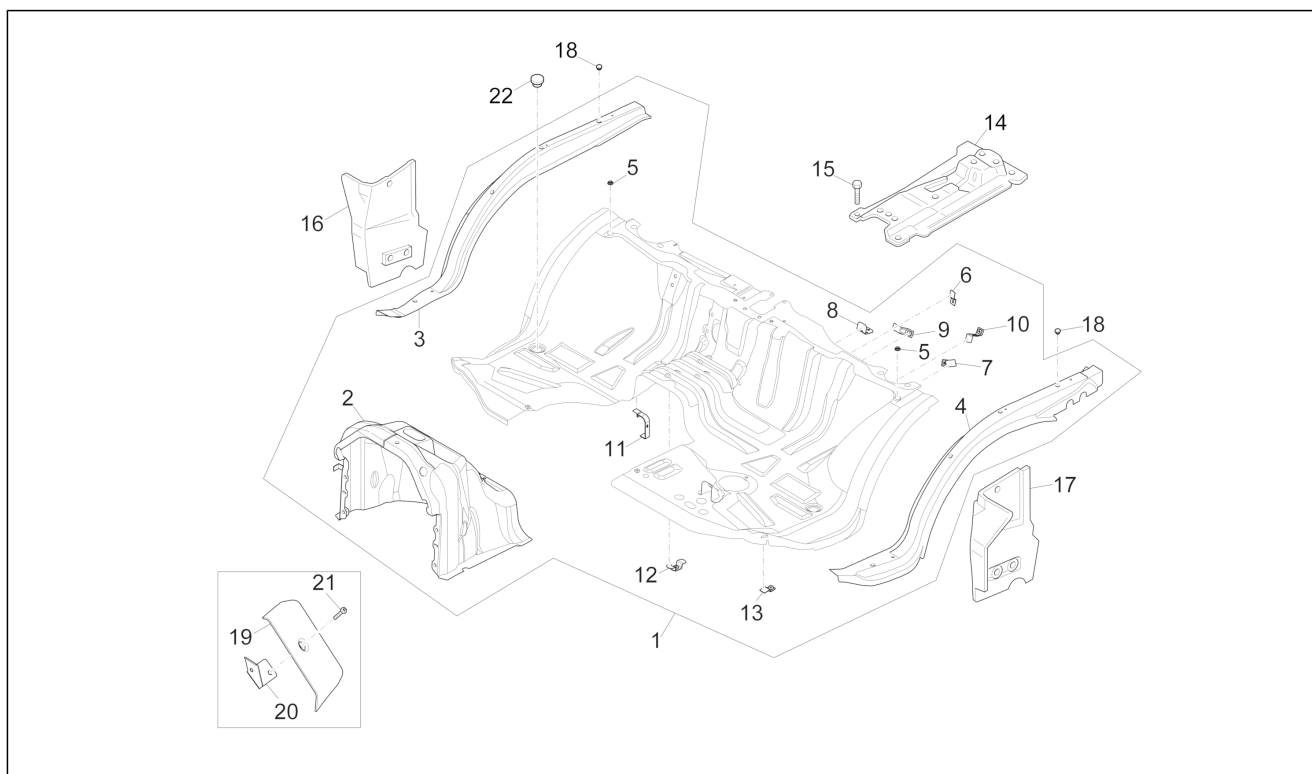
Pos.	Code	Beschreibung	Menge	Varianten
1	1E001311		1	
1	1E001312		1	
1	B004499	Innere verkleidung	2	
2	6777187Z01000	Schraube	20	
3	6274187Z01000	Dichtung seitenfenster	2	
4	6271287Z02000	Fensterscheibe links	1	
5	6271187Z02000	Fensterscheibe rechts	1	

Einheit	Fahrgestell - Plastformteil - Karosserien
Code	02.29
Beschreibung	Vorderes Bodenpaneel
Inspektion	1



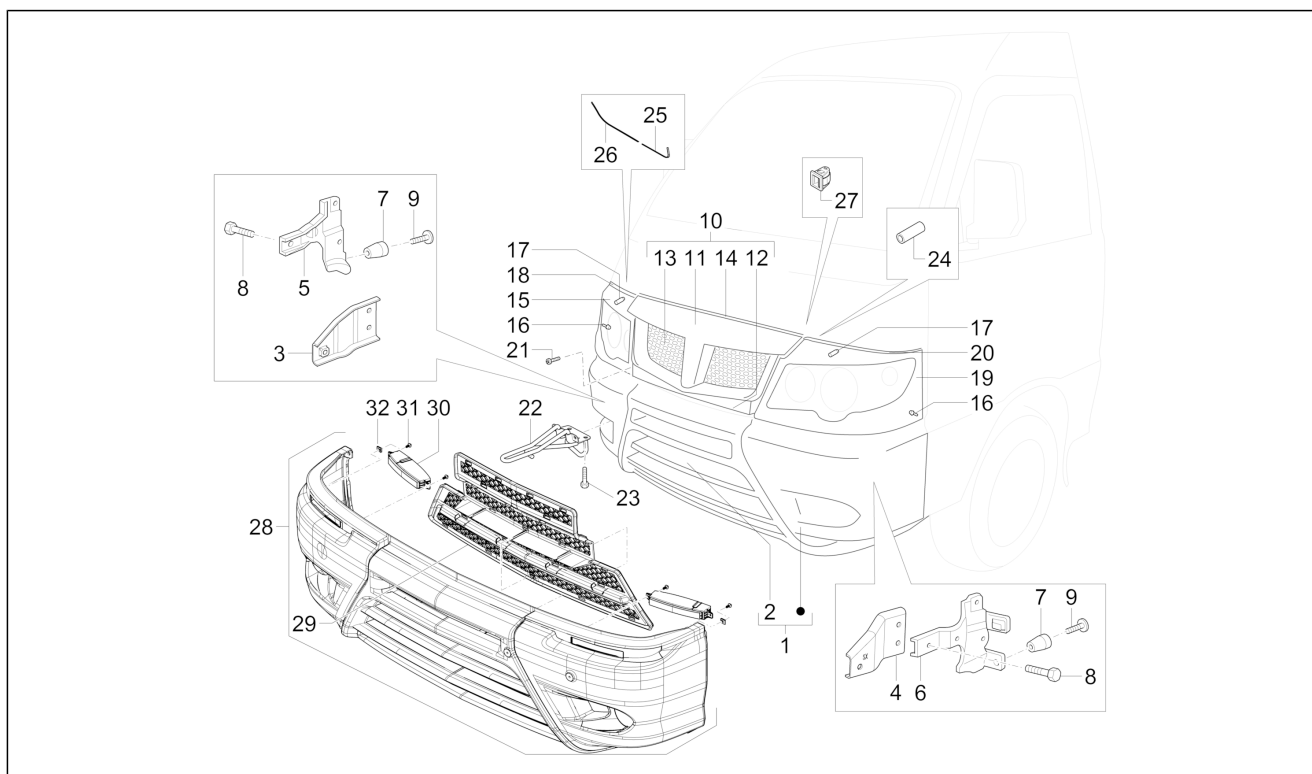
Pos.	Code	Beschreibung	Menge	Varianten
1	1E0012295	Vorderer Boden Fahrerhaus mit Innenteilen	1	
1	1E0018785	Vorderer Boden Fahrerhaus mit Innenteilen	1	
1	1E0016625	Vorderer Boden Fahrerhaus mit Innenteilen	1	
1	1E0018745	Vorderer Boden Fahrerhaus mit Innenteilen	1	Modell: Für Modelle mit LPG/GPL
1	1E0018895	Vorderer Boden Fahrerhaus mit Innenteilen	1	Modell: Für Modelle mit LPG/GPL Version mit Klimaanlage[A/C]
1	1E0017585	Vorderer Boden Fahrerhaus mit Innenteilen Van	1	
1	1E0017595	Vorderer Boden Fahrerhaus mit Innenteilen Van	1	Modell: Version mit Klimaanlage[A/C]
1	1E0018885	Vorderer Boden Fahrerhaus mit Innenteilen Van	1	Modell: Für Modelle mit LPG/GPL Version mit Klimaanlage[A/C]
2	B0071125	Kühlerraum	1	
3	5823187Z02000	Paneel seitlicher Boden rechts	1	
4	D5823287Z015	Paneel seitlicher Boden links	1	
5	5852387Z01000	Haken	2	
6	D4445787Z01	Leitungshalterung	1	
7	D5375387Z01	Sprengring	1	
8	D5837987Z01	Halterung Kühlerleitung	1	
9	D5512787Z01	Tankfixierung	1	
10	D5375287Z01	Tankfixierung	1	
11	D9004463232	Schelle	1	
12	5375187Z01000	Winkel	1	
13	4738287Z01000	Halter	1	
14	5510387Z03000	Einstellplatte sitz	1	
15	D9166140612	Schraubbolzen	1	
16	5824187Z02000	Bodenblech rechte seite	1	
17	5824287Z02000	Bodenblech linke seite	1	
18	9004874011000	Deckel	1	
19	B004252	Fussrasten linke	1	

Einheit	Fahrgestell - Plastikformteil - Karosserien
Code	02.29
Beschreibung	Vorderes Bodenpaneel
Inspektion	1



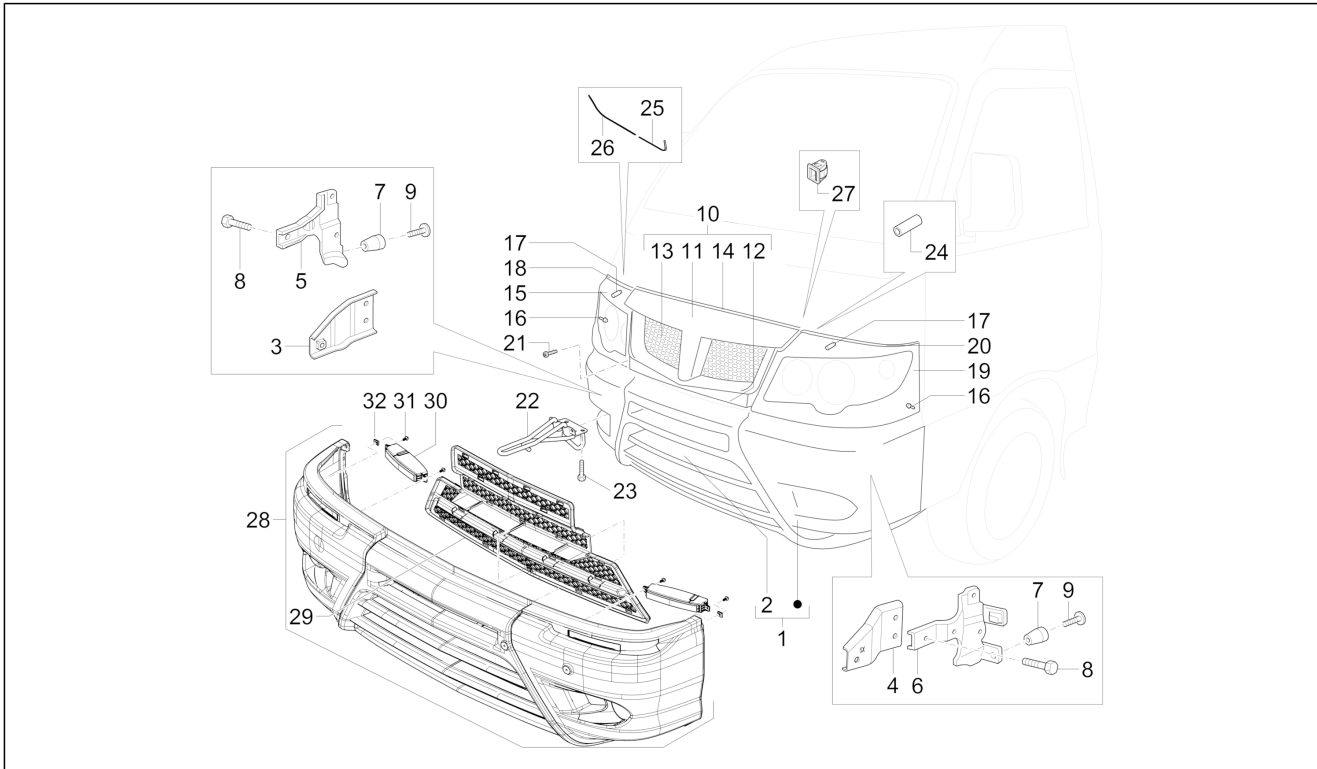
Pos.	Code	Beschreibung	Menge	Varianten
20	B004254	Bügel	1	
21	259830	Metrische Schraube M6x20	1	
22	D9004871098	Verschlusschraube	2	

Einheit	Fahrgestell - Plastformteil - Karosserien
Code	02.30
Beschreibung	Verkleidungen vorne
Inspektion	1



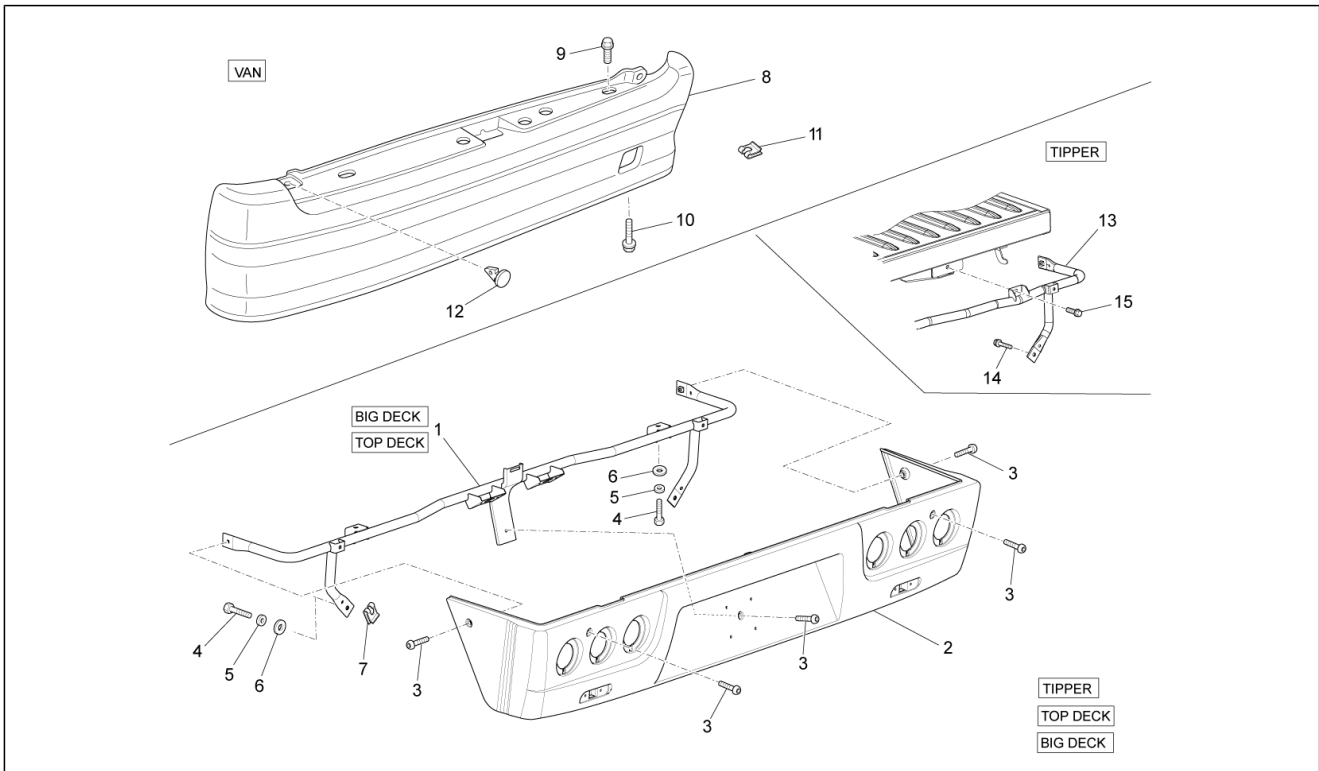
Pos.	Code	Beschreibung	Menge	Varianten
1	1E001096	Stürzbügel vorn	1	
2	B004249	Stoßfängergitter vorne	1	
3	B000833	Rechtes bügel	1	
4	B000835	Linkes bügel	1	
5	5213387Z01000	Befestigung vordere rechte stoßstang	1	
6	5213487Z01000	Befestigung vorderer linker kotflügel	1	
7	D9004468200	Klammer	2	
8	D9165140614	Sechskantschraube	4	
9	D9004159364	TE Schr. m. Flansch	2	
10	B000965	Blende	1	
11	B000839	Blende oben	1	
12	B000966	Blende unten	1	
13	B004250	Gitter	1	
14	B000945	Schutz	1	
15	B000831	R. Kranzgesims	1	
16	B000944	Kleine Feder	2	
17	566300	Klammer	2	
18	B000836	Rechter schutz	2	
19	B000832	L. Kranzgesims	1	
20	B000949	Linker schutz	2	
21	9356855012000	Schraube	4	
22	658987	Anhängerkupplung	1	
23	D9165140820	Sechskantschraube	3	
24	B000985	Röhrchen	2	
25	B007163		1	
26	B007162		1	
27	566737	Verankerungseinheit	5	
28	1E001096	Stürzbügel vorn	1	

Einheit	Fahrgestell - Plastikformteil - Karosserien
Code	02.30
Beschreibung	Verkleidungen vorne
Inspektion	1



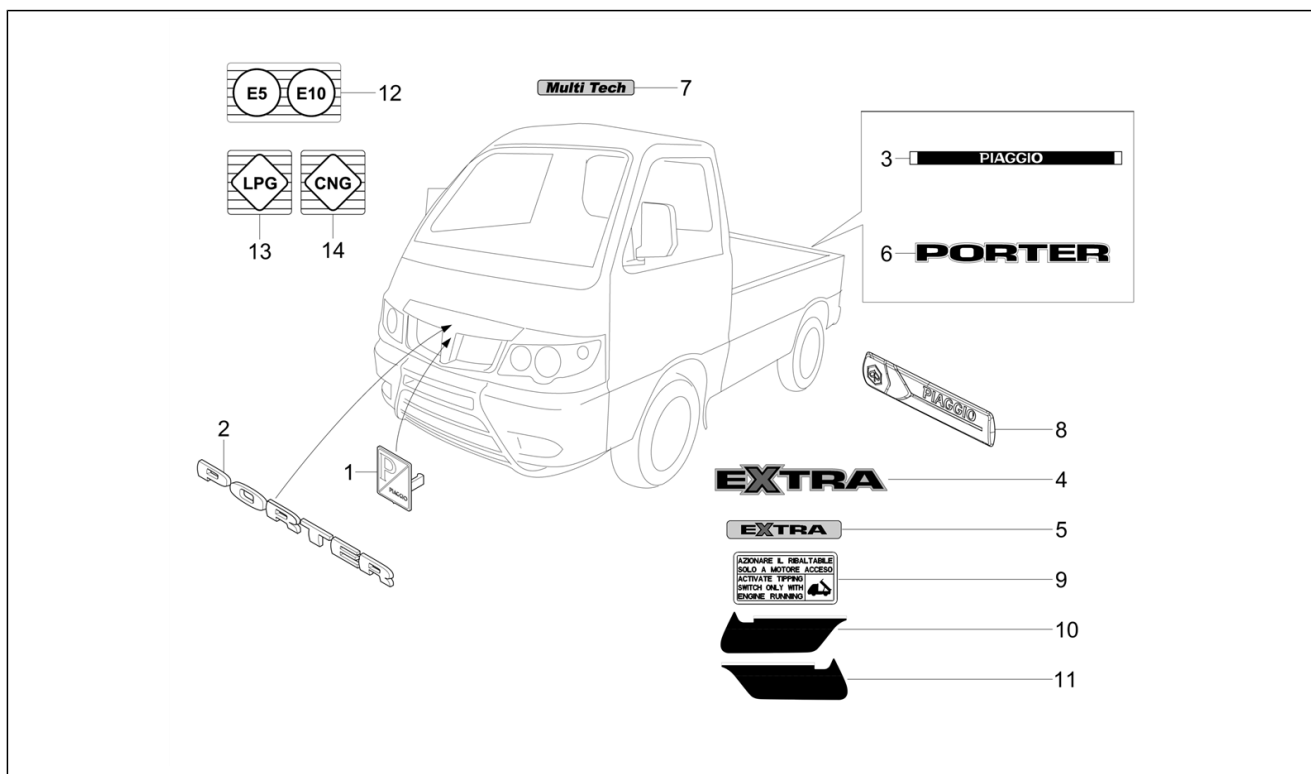
Pos.	Code	Beschreibung	Menge	Varianten
29	B004249	Stoßfängergitter vorne	1	
30	1E001098	Halter	2	
31	D9356755014	Sechskantschraube	4	
32	CM017414	Federplättchen	2	

Einheit	Fahrgestell - Plastikformteil - Karosserien
Code	02.31
Beschreibung	Hinterabdeckung
Inspektion	1



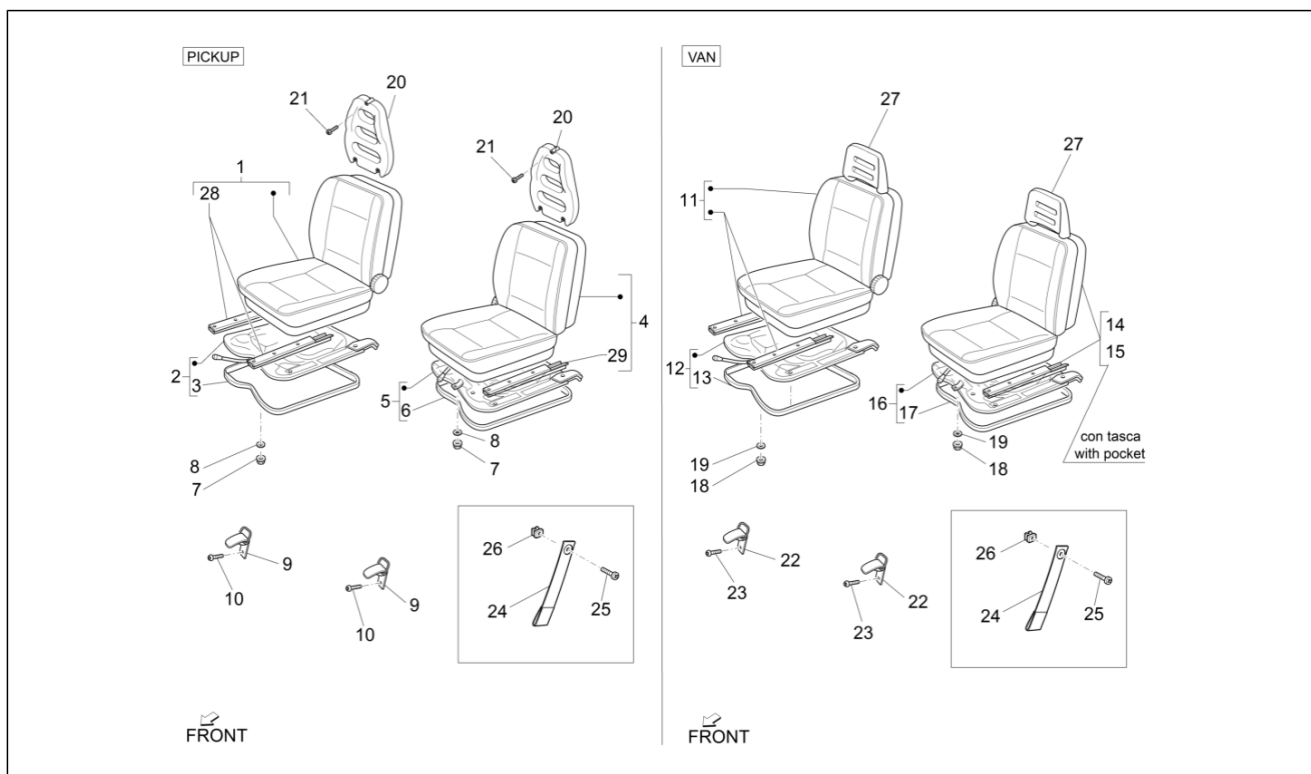
Pos.	Code	Beschreibung	Menge	Varianten
1	B004312	Stoßfängerträger	1	
2	614833	Stoßstange hinten	1	
3	259830	Metrische Schraube M6x20	5	
4	031089	Sechskantschraube M6x18	4	
5	016406	Federring 6,4x11,8x1	4	
6	013777	Unterlegscheibe 6.4x13x1.5	4	
7	254485	Federplättchen M6	2	
8	566754	Stoßstange hinten	1	
9	264449	Schraubbolzen	3	
10	9004119537000	Schraubbolzen	3	
11	9004183050000	Mutter	1	
12	D9004468231	Klammer	2	
13	B004915	Stoßfängerträger	1	
14	D9166140616	Sechskantschraube	2	
15	D9165140616	Sechskantschraube	4	

Einheit	Fahrgestell - Plastikformteil - Karosserien
Code	02.32
Beschreibung	Plaketten - Verzierungen
Inspektion	1



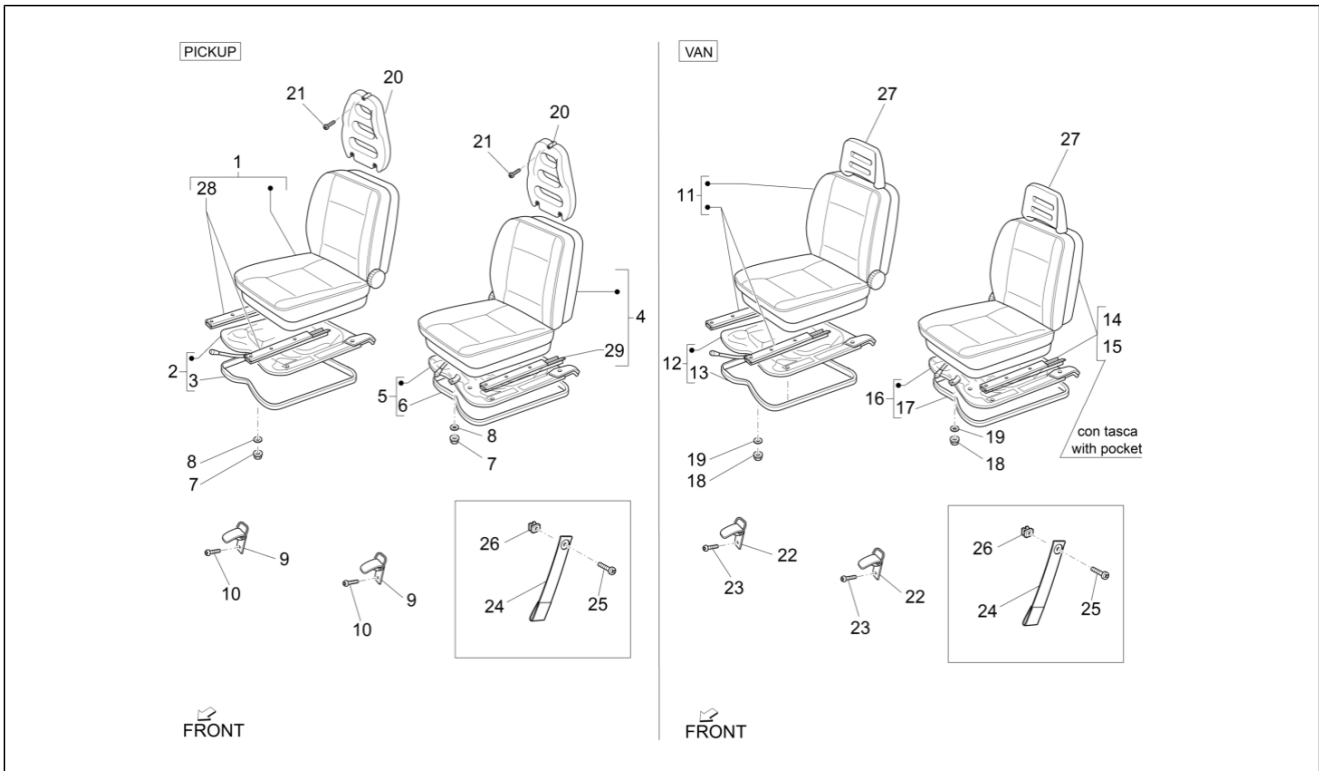
Pos.	Code	Beschreibung	Menge	Varianten
1	576464	Piaggio-Emblem	1	
2	B004554	"Schild ""Porter"""	1	
3	B004681	"Heckschild ""Piaggio"""	1	
4	B004613	"Heckschild ""EXTRA"""	1	
5	B004620	"Internes Schild ""EXTRA"""	1	
6	B004567	"Heckschild ""Porter"""	1	
7	B007234	"Schild ""Multitech"""	1	
8	1E001619	Plakette "Piaggio Multitech"	2	
8	1E001621	Plakette "Piaggio Eco Power"	2	
8	1E001622	Plakette "Piaggio Green Power"	2	
9	1E001697	Hinweisschild innen	1	
10	1E001510	Plakette linke Tür	1	
11	1E001509	Plakette rechte Tür	1	
12	1E003412	Aufkleber Benzin E5/E10	1	
13	1E003413	Aufkleber Flüssiggas	1	
14	1E003414	Aufkleber CNG	1	

Einheit	Fahrgestell - Plastformteil - Karosserien
Code	02.33
Beschreibung	Vordersitze
Inspektion	1



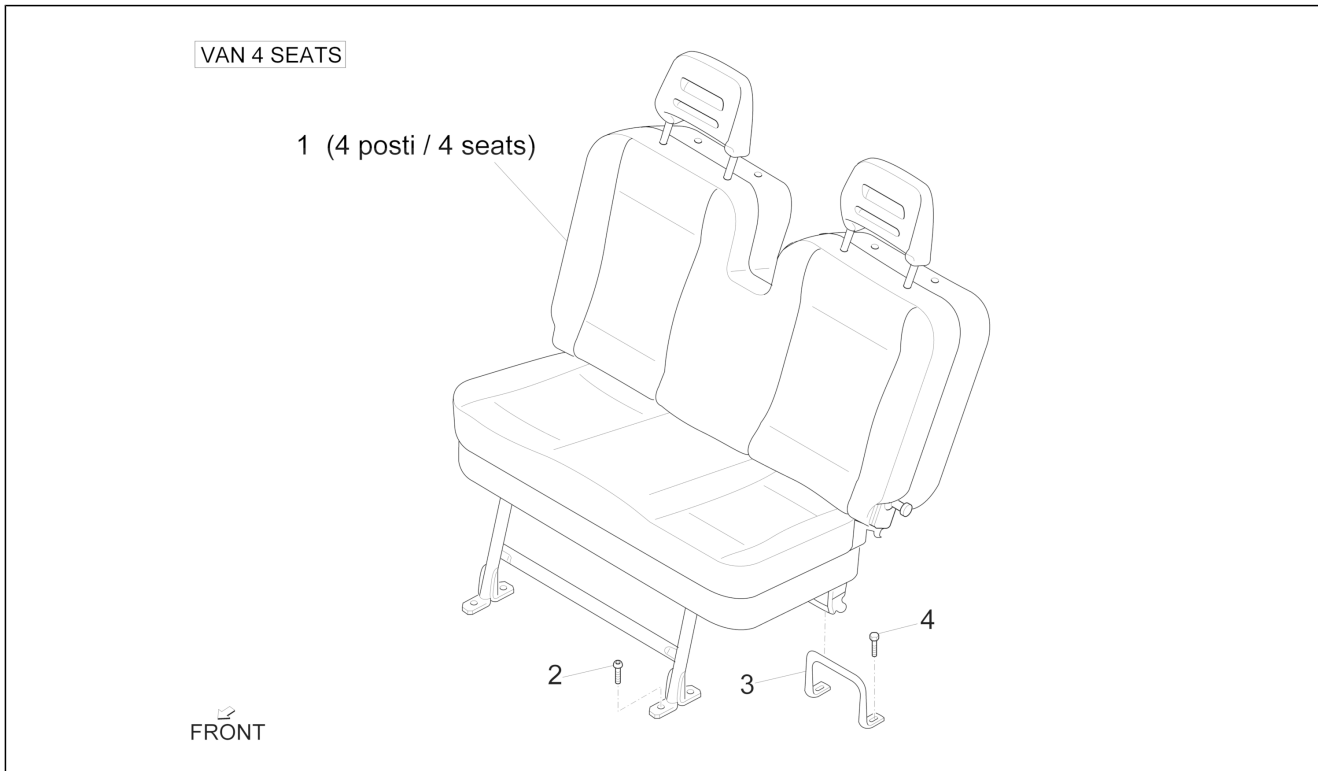
Pos.	Code	Beschreibung	Menge	Varianten
1	1E001540	Kompletter Sitz rechts	1	
2	CM038401	Sitzplatte rechts	1	
3	615932	Dichtung	1	
4	1E001541	Kompletter Sitz links	1	
5	CM038402	Sitzplatte links	1	
6	615932	Dichtung	1	
7	810688	Mutter	2	
8	016408	Sprengscheibe 13,75x8,15x4,5	2	
9	7137087Z01000	Kupplung	2	
10	9165140816000	Schraube	2	
11	1E001535	Vorderer Sitz rechts	1	
12	645976	Sitzplatte rechts	1	
13	615932	Dichtung	1	
14	1E001536	Vorderer Sitz links	1	
15	1E001537	Vorderer Sitz links	1	
16	645974	Sitzplatte links	1	
17	615932	Dichtung	1	
18	810688	Mutter	8	
19	016408	Sprengscheibe 13,75x8,15x4,5	8	
20	566864	Sitzkopfsutze	2	
21	D9327056012	Sechskantschraube	6	
22	7137087Z01000	Kupplung	2	
23	9165140816000	Schraube	4	
24	7197387Z01030	Riemen	1	
25	D9356016014	Sechskantschraube	1	
26	D9004189019	Kabelführung	1	
27	1E001286	KOPFSTÜTZE	2	
28	850676	Kit Sitzführungen rechts	1	

Einheit	Fahrgestell - Plastikformteil - Karosserien
Code	02.33
Beschreibung	Vordersitze
Inspektion	1



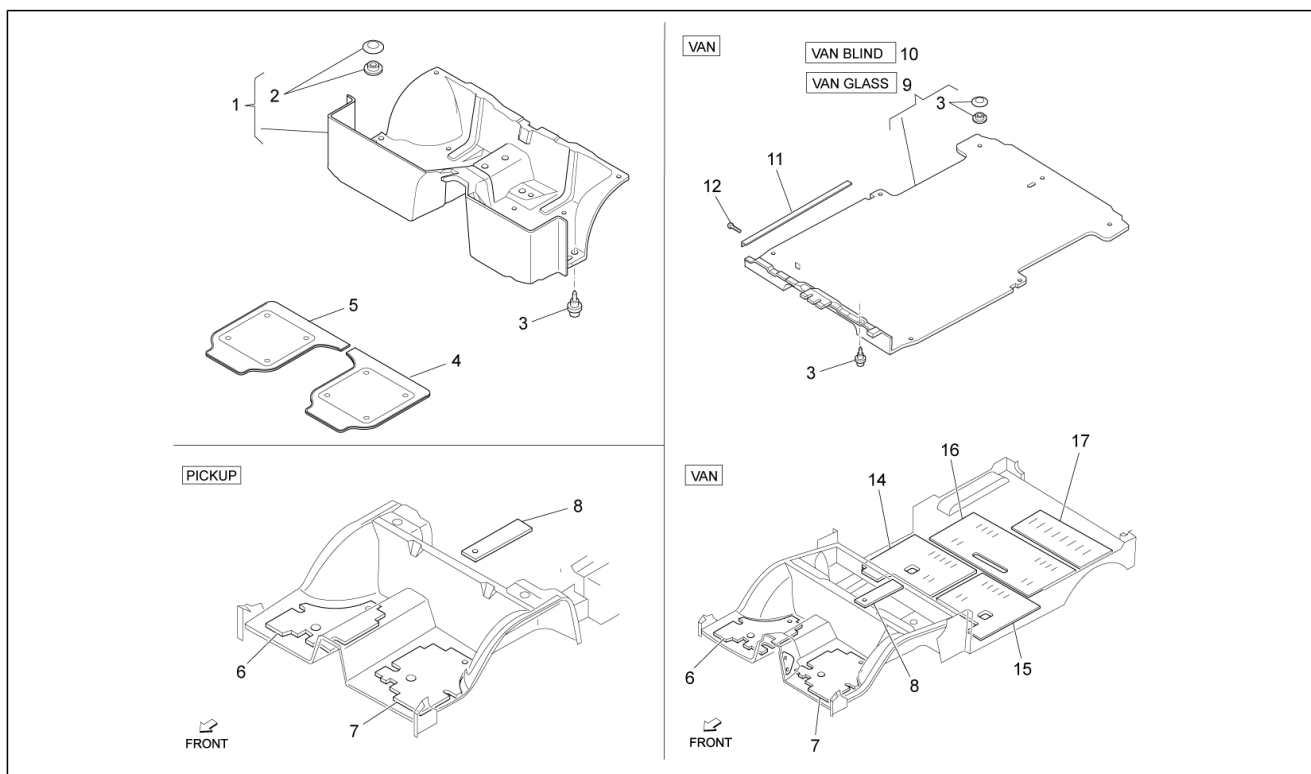
Pos.	Code	Beschreibung	Menge	Varianten
29	850677	Kit Sitzführungen links	1	

Einheit	Fahrgestell - Plastikformteil - Karosserien
Code	02.34
Beschreibung	Rücksitze
Inspektion	1



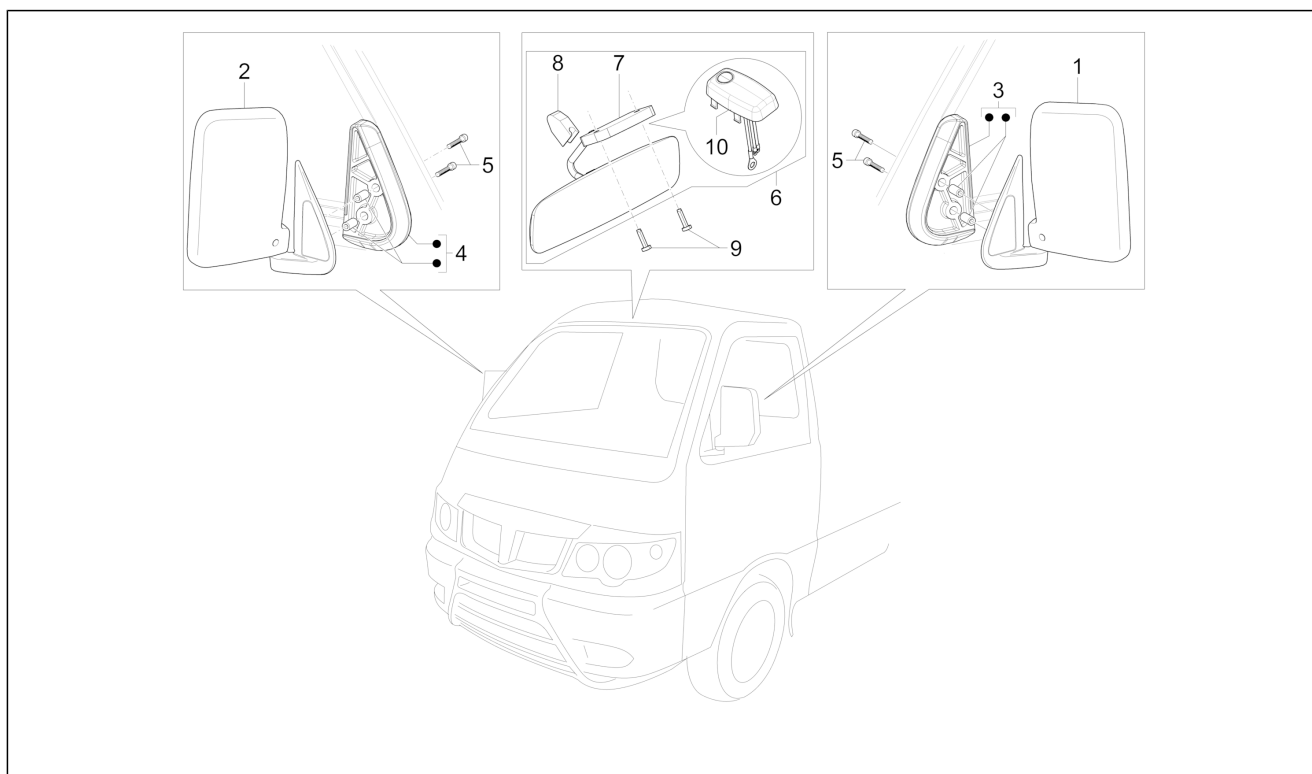
Pos.	Code	Beschreibung	Menge	Varianten
1	1E001538	Rückbank 2. Reihe	1	
2	D9165140820	Sechskantschraube	4	
3	D7269187Z01	Sitzbefestigung	2	
4	D9165160820	Sechskantschraube	4	

Einheit	Fahrgestell - Plastikformteil - Karosserien
Code	02.35
Beschreibung	Innenverkleidungen
Inspektion	1



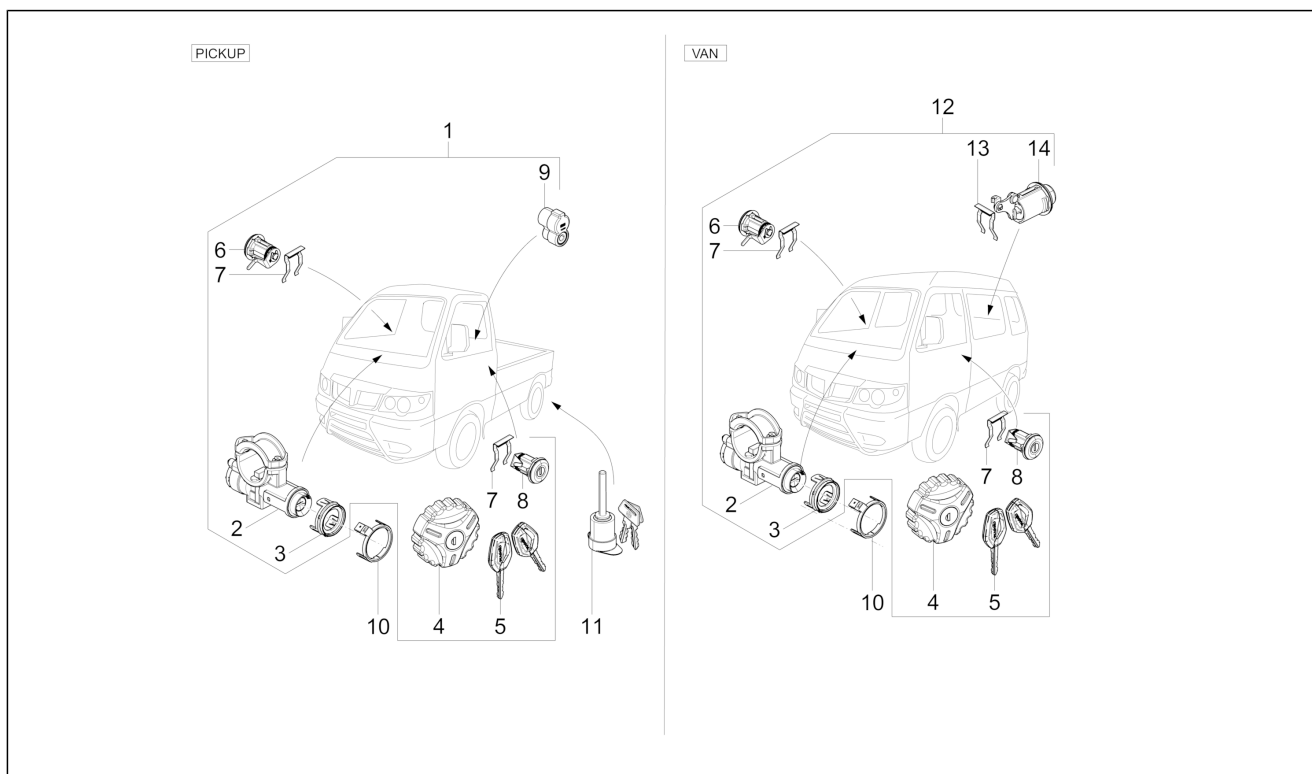
Pos.	Code	Beschreibung	Menge	Varianten
1	B007906	Teppich vorne komplett	1	
1	CM2836035	Teppich vorne komplett	1	Modell: Version mit Klimaanlage[A/C]
2	5855887Z01030	Befestigung	4	
3	9004530013000	Hakenbefestigung	7	
4	263961	Fußmatte links	1	
5	263962	Fußmatte rechts	1	
6	5862187Z02000	Schalldämpfend rechts	1	
7	D5862287Z01	Schalldämpfend links	1	
8	5866987Z01000	Schalldämpfer	1	
9	1E001399	Hinterer teppich	1	
10	1E001400	Hinterer teppich	1	
11	261137	Schutz	3	
12	261245	Schraube	15	
14	5864687Z02000	Schalldämpfung kabinenboden	1	
15	5864787Z02000	Schalldämpfung kabinenboden	1	
16	5864887Z01000	Schalldämpfung kabinenboden	1	
17	5864987Z01000	Schalldämpfung kabinenboden	1	

Einheit	Fahrgestell - Plastikformteil - Karosserien
Code	02.36
Beschreibung	Rückspiegel/n
Inspektion	1



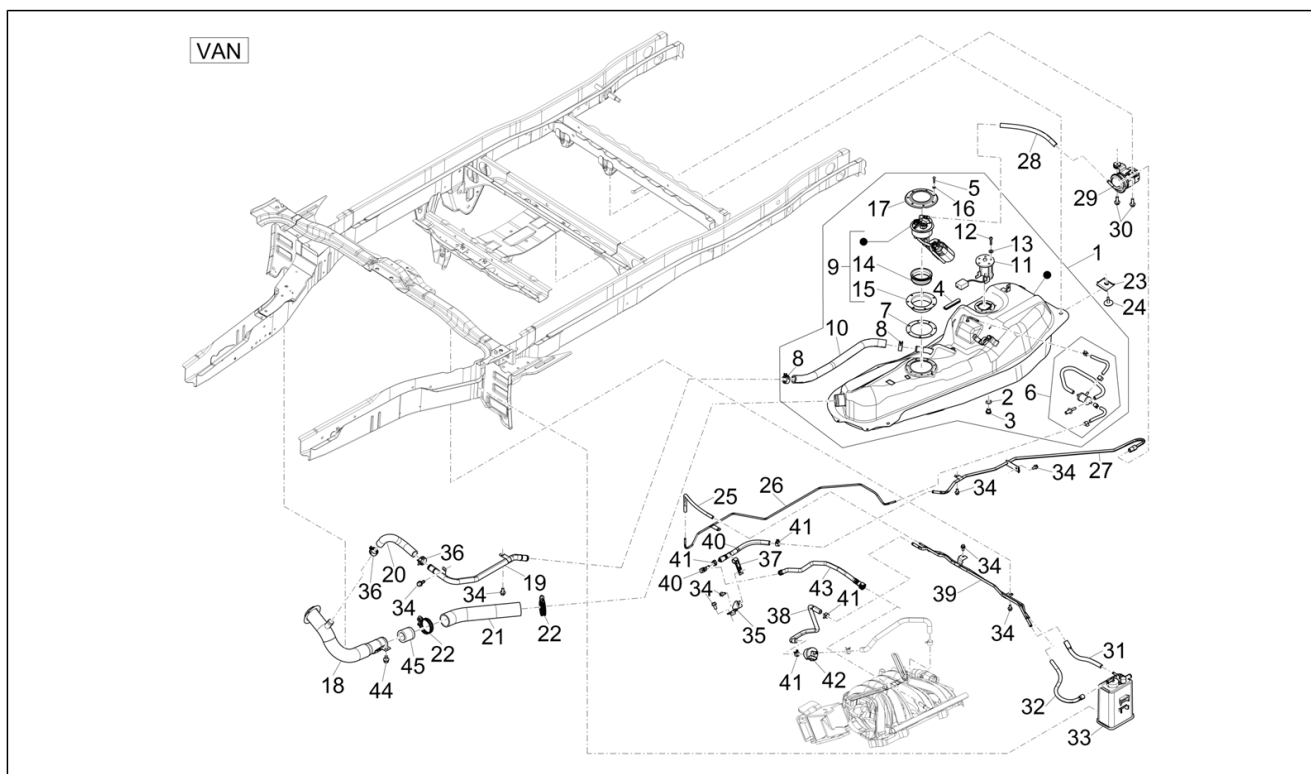
Pos.	Code	Beschreibung	Menge	Varianten
1	B000961	Rückspiegel links	1	
2	B000962	Rückspiegel rechts	1	
3	B000066	L. Distanzscheibe	1	
4	B000149	R. Distanzscheibe	1	
5	B005310	TBEI Schraube M5x45	4	
6	B007907	Innen Spiegel	1	
7	B007705	Spiegelgehäuse mit Glas	1	
8	B007913	Scheibe	1	
9	877136	Blechschaube M5x20	2	
10	B007908	Innenbeleuchtung	1	

Einheit	Fahrgestell - Plastikformteil - Karosserien
Code	02.37
Beschreibung	Schloßen
Inspektion	1



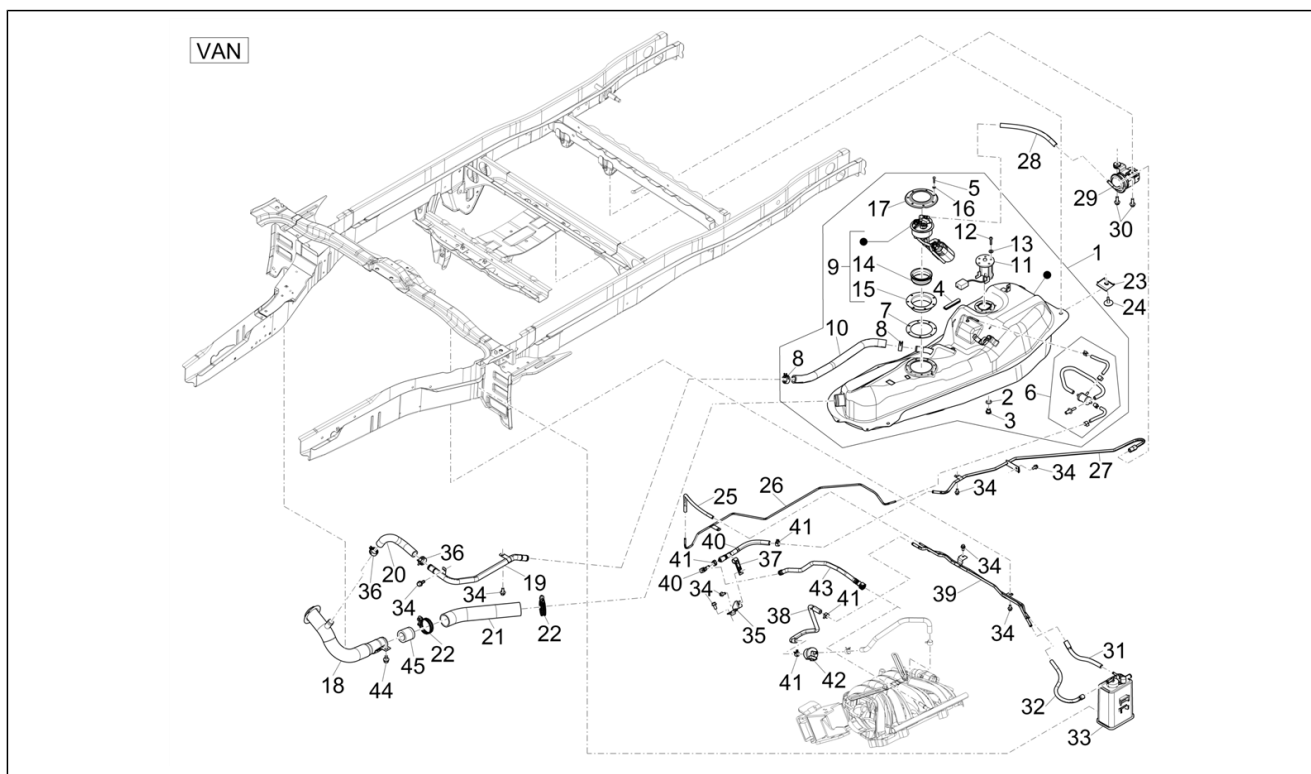
Pos.	Code	Beschreibung	Menge	Varianten
1	1E001520	Kit Schlösser und Schlüssel	1	
2	1E001631	Lenkerschloss mit Zündschalter	1	
3	1E001523	Antennenhalterung	1	
4	658999	Tankfüllschraube	1	
5	1E001531	Rohling Transponderschlüssel	1	
6	613842	Schloss rechte Tür	1	
7	615094	Schelle	2	
8	613843	Schloss linke Tür	1	
9	B025954	Schloss Diebstahlsicherung Batterie	1	
10	1D001191	Immobilizer antenne	1	
11	613839	Kit Diebstahlschutz für Reserverad	1	
12	1E001521	Kit Schlösser und Schlüssel	1	
13	658949	Kleine Feder	1	
14	658998	Schloss	1	

Einheit	Fahrgestell - Plastformteil - Karosserien
Code	02.38
Beschreibung	Benzintank
Inspektion	1



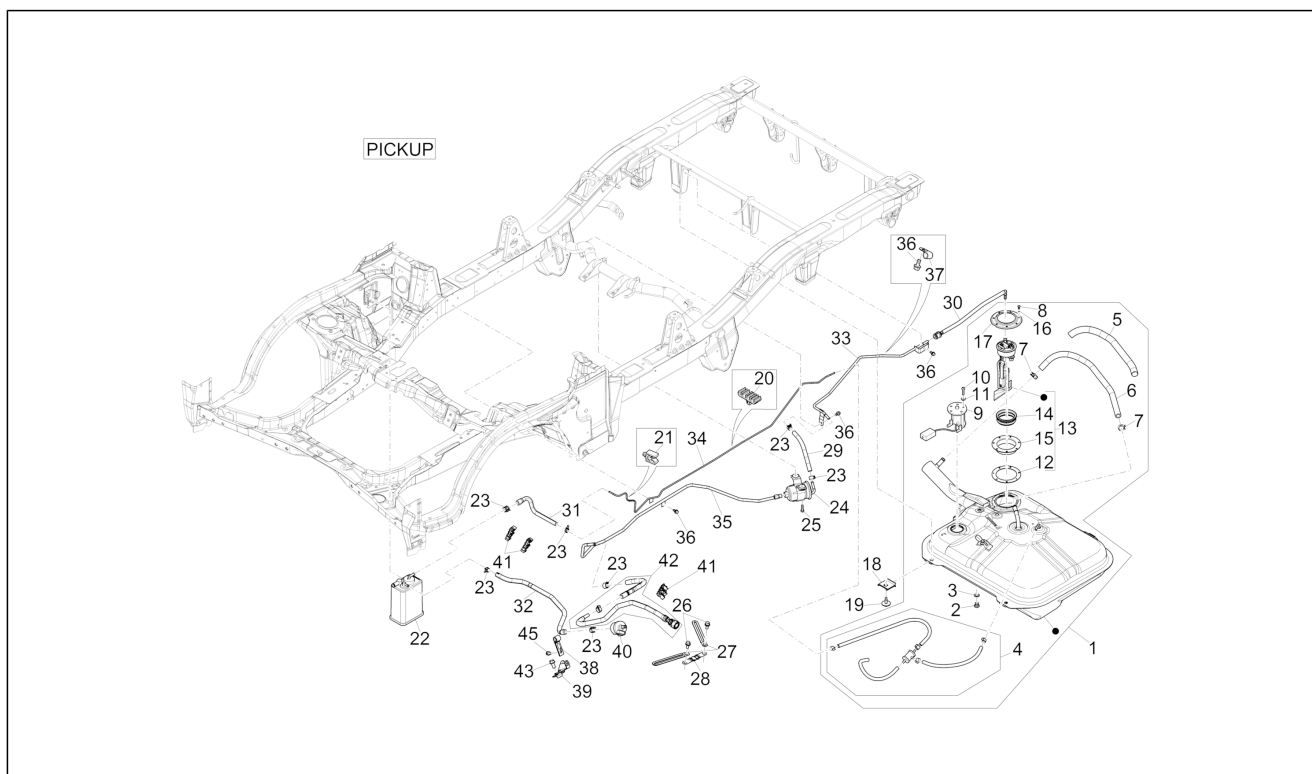
Pos.	Code	Beschreibung	Menge	Varianten
1	B0231325	Benzintank komplett	1	
1	1E0032305	Benzintank komplett	1	Modell: Für gem. Norm Euro 6 C zugelassene Modelle[E6-C]
2	D9004430120	Dichtung	1	
3	9004341011000	Deckel L=20 - M12,5x1,25	1	
4	D7765987Z01	Schutz	1	
5	031056	Sechskantschraube M5x12	6	
6	B005000	Sicherheitsventil	1	
7	B005279	Dichtung	1	
8	9004467228000	Schelle	2	
9	B005280	Kraftstoffpumpe	1	
10	1E001428	Entlüftungsleitung Kraftstofftank	1	
11	B023089	Kraftstoffstandgeber	1	
11	1D002616	Kraftstoffstandgeber	1	Modell: Für gem. Norm Euro 6 C zugelassene Modelle[E6-C]
12	031027	Schraube	5	
13	016404	Flachscheibe 4,2x7,6x0,9	5	
14	576542	Dichtung	1	
14	656003	Dichtung	1	Modell: Für gem. Norm Euro 6 C zugelassene Modelle[E6-C]
15	B005278	Kraftst.pumpen-Verschl.	1	
16	016405	Federring 8,5x5,1x1,5	5	
17	B005277	Gegenflansch	1	
18	7720187Z06000	Anschluss	1	
19	B005022	Entlüftungsschlauch	1	
20	B004997	Benzinleitung	1	
21	B004995	Benzinleitung	1	
22	9004460117000	Schelle	2	
23	7714187Z01000	Stütze	4	
24	B005028	Flanschschraube	4	
25	B005521	Bremsschlauch	1	

Einheit	Fahrgestell - Plastformteil - Karosserien
Code	02.38
Beschreibung	Benzintank
Inspektion	1



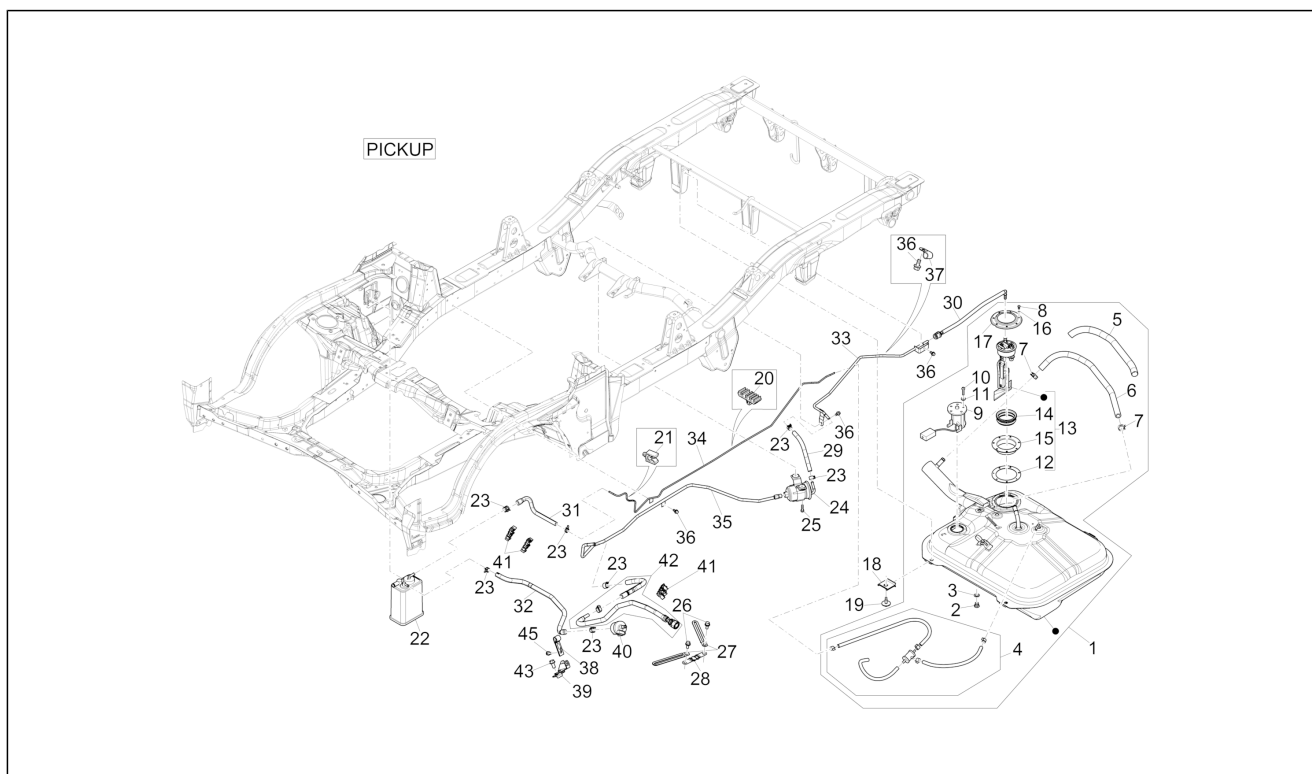
Pos.	Code	Beschreibung	Menge	Varianten
26	1E001569	Dampfleitung Kraftstoff mit Innenteilen	1	
27	1E001570	Dampfleitung Kraftstoff mit Innenteilen	1	
28	1E001571	Kraftstoffleitung komplett mit Anschlüssen	1	
29	B005903	Kraftstofffilter	1	
30	D9165160825	Schraubbolzen mit Unterlegscheibe	2	
31	B007016	Bremsschlauch	1	
31	1E001432	Dampfleitung Kraftstoff von Aktivkohlefilter	1	
31	1E001877	Dampfleitung Kraftstoff von Aktivkohlefilter	1	
32	B005286	Bremsschlauch	1	
32	1E001466	Dampfleitung Kraftstoff zu Aktivkohlefilter	1	
32	1E001876	Dampfleitung Kraftstoff zu Aktivkohlefilter	1	
33	B005269	Aktivkohlefilter komplett	1	
33	1A004871	Aktivkohlefilter komplett	1	
33	1E001884	Aktivkohlefilter komplett	1	
34	D9165140616	Sechskantschraube	8	
35	1E001467	Befestigungsbügel Ventil mit Innenteilen	1	
36	9004467228000	Schelle	2	
37	9004462157000	Schelle	1	
38	1E001479	Dampfleitung Kraftstoff von Aktivkohlefilter	1	
39	1E000991	Dampfleitung Kraftstoff mit Innenteilen	1	
40	1E001147	Kraftstoffleitung kompl.	1	
41	D9004467190	Bundring	3	
42		[...]	4	
43	1E001147	Kraftstoffleitung kompl.	1	
44	D9165140612	Sechskantschraube	1	
45	7710887Z01000	Ventil benzintank	1	

Einheit	Fahrgestell - Plastformteil - Karosserien
Code	02.39
Beschreibung	Benzintank II
Inspektion	1



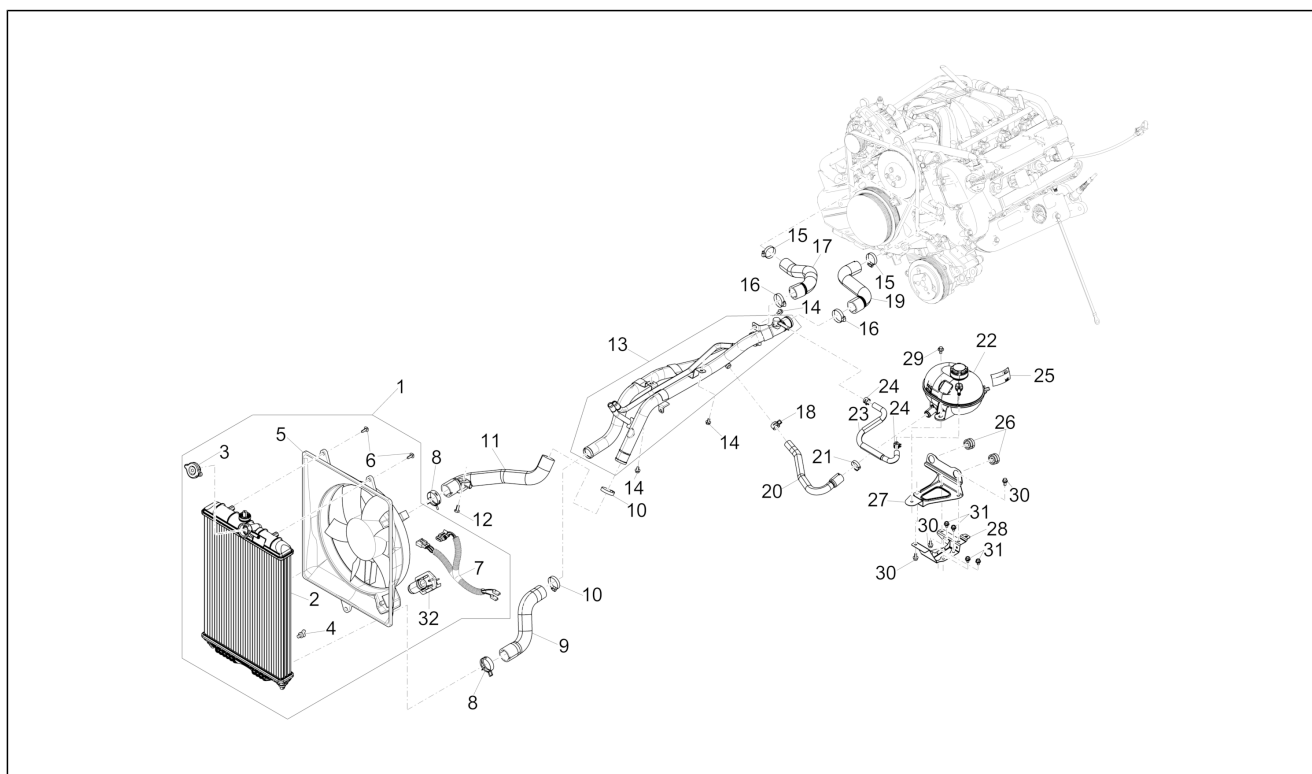
Pos.	Code	Beschreibung	Menge	Varianten
1	B023121	Benzintank komplett	1	
1	1E0032295	Benzintank komplett	1	Modell: Für gem. Norm Euro 6 C zugelassene Modelle[E6-C]
2	9004341011000	Deckel L=20 - M12,5x1,25	1	
3	D9004430120	Dichtung	1	
4	B004999	Sicherheitsventil	1	
5	9004446371000	Schutzrohr	1	
6	B004998	Benzinleitung	1	
7	9004467305000	Schelle	2	
8	031056	Sechskantschraube M5x12	7	
9	B023088	Kraftstoffstandgeber	1	
9	1D002615	Kraftstoffstandgeber	1	Modell: Für gem. Norm Euro 6 C zugelassene Modelle[E6-C]
10	031027	Schraube	5	
11	016404	Flachscheibe 4,2x7,6x0,9	5	
12	B005023	Rückhalt Kraftstoffpumpe	1	
12	B005279	Dichtung	1	
13	B023333	Kraftstoffpumpe	1	
14	656003	Dichtung	1	Modell: Für gem. Norm Euro 6 C zugelassene Modelle[E6-C]
14	576542	Dichtung	1	
15	B005278	Kraftst.pumpen-Verschl.	1	
16	016405	Federring 8,5x5,1x1,5	7	
17	B005277	Gegenflansch	1	
18	7714187Z01000	Stütze	4	
19	B005028	Flanschschraube	4	
20	D9004464157	Kabelschelle	1	
21	D9004464629	Sperrfeder Leitungen	1	
22	B005269	Aktivkohlefilter komplett	1	
22	1A004871	Aktivkohlefilter komplett	1	
22	1E001884	Aktivkohlefilter komplett	1	

Einheit	Fahrgestell - Plastikformteil - Karosserien
Code	02.39
Beschreibung	Benzintank II
Inspektion	1



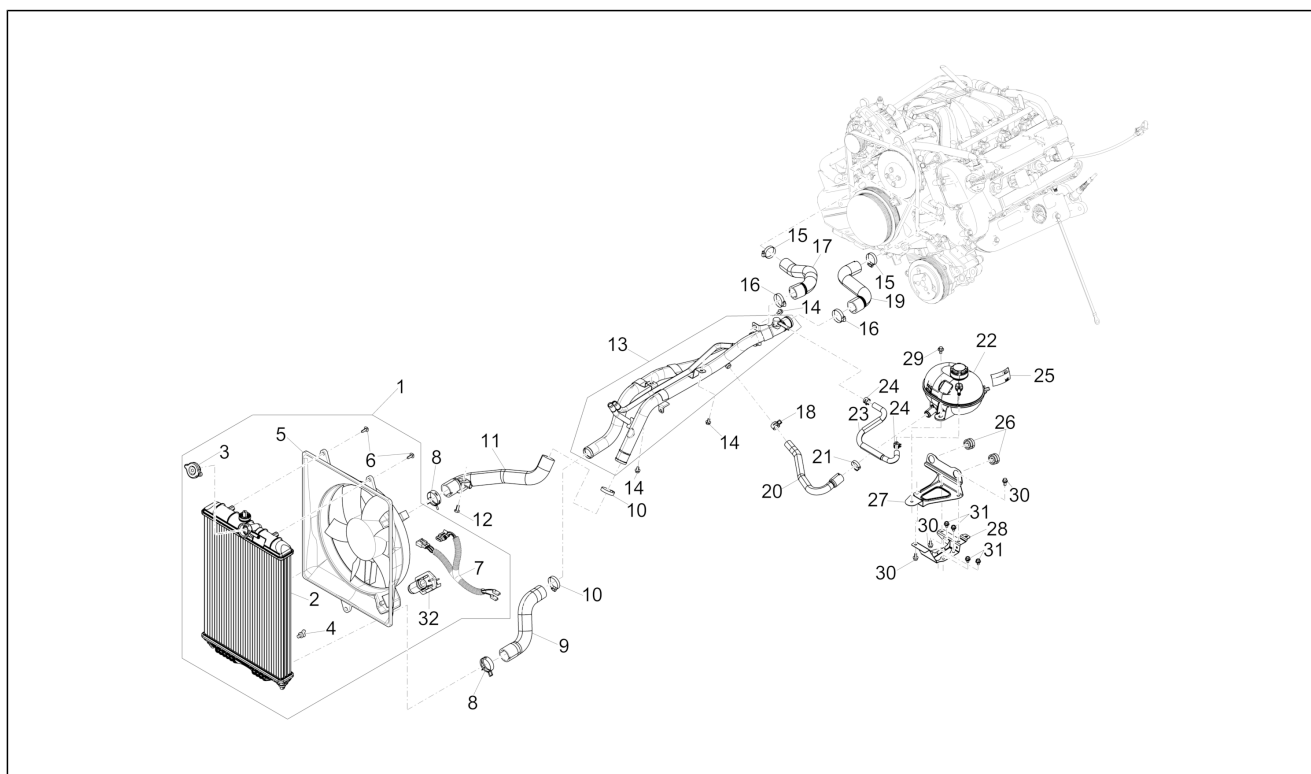
Pos.	Code	Beschreibung	Menge	Varianten
23	D9004467190	Bundring	9	
24	B005903	Kraftstofffilter	1	
25	D9004119655	Flanschschraube	2	
26	D9165140616	Sechskantschraube	2	
27		[...]	1	
28	1E001149	Verankerungsbügel Benzinleitungen	1	
29	B005283	Bremsschlauch	1	
30	B005285	Bremsschlauch	1	
31	B005286	Bremsschlauch	1	
31	1E001432	Dampfleitung Kraftstoff von Aktivkohlefilter	1	
31	1E001869	Dampfleitung Kraftstoff von Aktivkohlefilter	1	
32	B005286	Bremsschlauch	1	
32	1E001466	Dampfleitung Kraftstoff zu Aktivkohlefilter	1	
32	1E001870	Dampfleitung Kraftstoff zu Aktivkohlefilter	1	
33	B005558	Rohr	1	
34	1E001420	Dampfleitung Kraftstoff mit Innenteilen	1	
35	1E001475	***SCHLAUCH N°2	1	
36	D9165140616	Sechskantschraube	4	
37	D9004461193	Schelle	1	
38	9004462157000	Schelle	1	
39	1E001467	Befestigungsbügel Ventil mit Innenteilen	1	
40	1A005617	Ventil des Aktivkohlefilters	0	
41	CM017817	Sperrfeder Leitungen	3	
42	1E001147	Kraftstoffleitung kompl.	1	
43	564005	Schraube	1	
45	9161160612000	Schraubbolzen	1	

Einheit	Fahrgestell - Plastformteil - Karosserien
Code	02.43
Beschreibung	Kühlunganlage
Inspektion	1



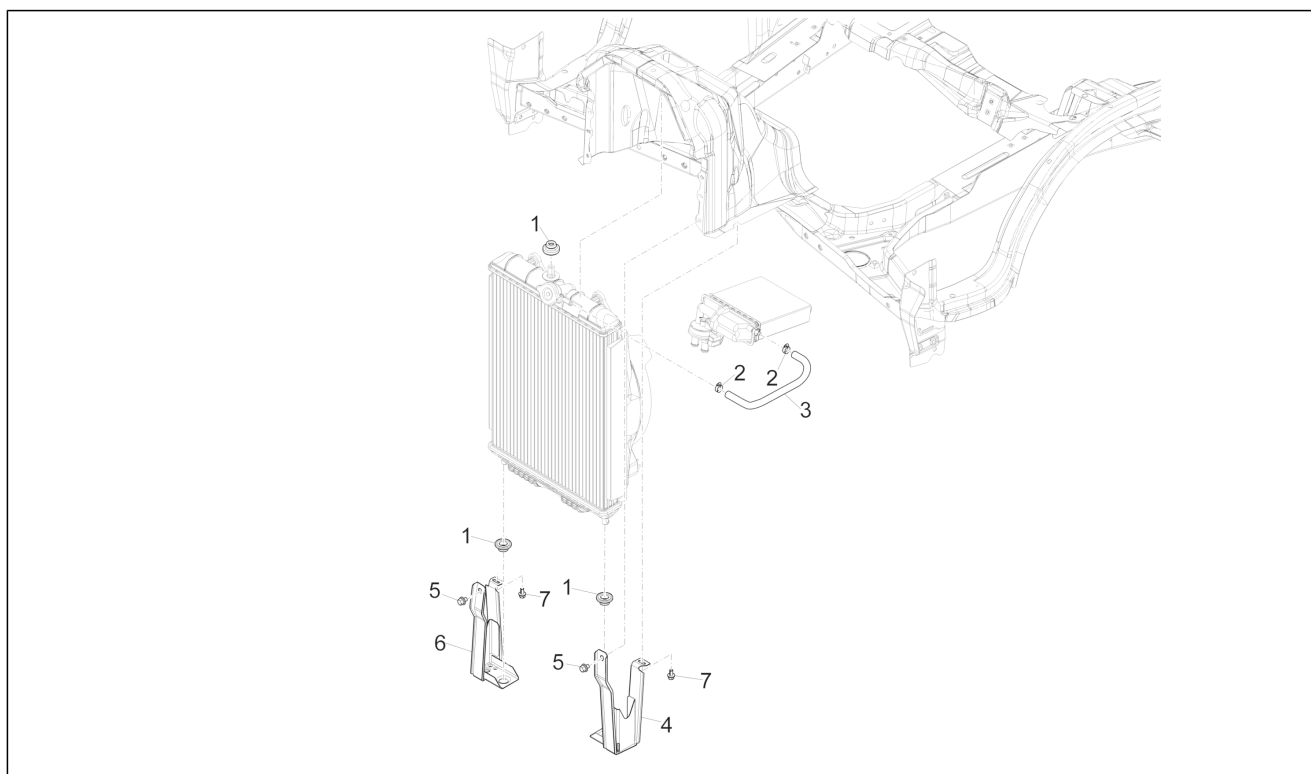
Pos.	Code	Beschreibung	Menge	Varianten
1	B026177	Kühler	1	
2	B026114	Kühler	1	
3	660619	Kühlerschraube 140 KPa	1	
4	1618587Z02000	Verschluss	1	
5	1E000304	Elektrolüfter	1	
6	263695	Sechskantschraube	3	
7	B023215	Kabel Lüfter	1	
8	D9004467449	Schelle	2	
9	1E000607	Rücklaufleitung Kühler Nr. 1	1	
10	709677	Schelle	6	
11	1E000608	Zulaufleitung Kühler Nr. 3	1	
12	D9165140616	Sechskantschraube	1	
13	1E000550	Leitung Kühler komplett Nr. 2	1	
13	1E001544	Leitung Kühler komplett Nr. 2	1	
14	D9165140612	Sechskantschraube	3	
15	709677	Schelle	6	
16	645663	Schlauchschele	2	
17	1E000609	Leitung Kühler Nr. 3	1	
18	9004467361000	Schelle	1	
19	1E000612	Zulaufleitung Kühler Nr. 1	1	
20	1E000613	Rücklaufleitung Kühlflüssigkeitsbeh.	1	
21	CM001915	Schlauchschele	1	
22	B023330	Tank	1	
23	B023349	Entgaserrohr	1	
24	B005051	Schlauchschele	1	
25	B023311	Schild MIN - MAX	1	
26	D9004480596	Gummi	2	
27	1E001721	Oberer Bügel	1	

Einheit	Fahrgestell - Plastikformteil - Karosserien
Code	02.43
Beschreibung	Kühlunganlage
Inspektion	1



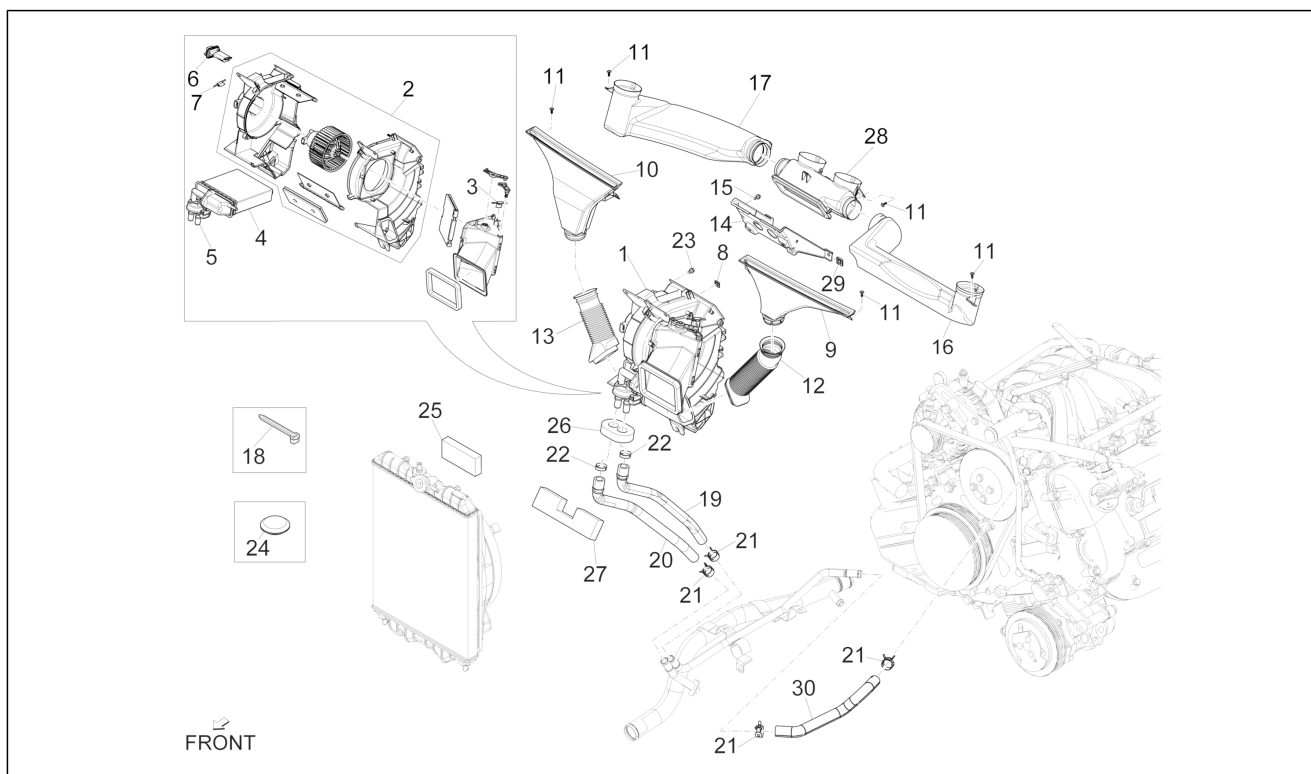
Pos.	Code	Beschreibung	Menge	Varianten
28	B023357	Unterer Bügel	1	
29	D9166140616	Sechskantschraube	4	
30	D9165140616	Sechskantschraube	3	
31	D9165140612	Sechskantschraube	4	
32	B023214	Widerstandsmodul 10-polig, start stop	1	

Einheit	Fahrgestell - Plastikformteil - Karosserien
Code	02.44
Beschreibung	Bauteile Kühlanlage
Inspektion	1



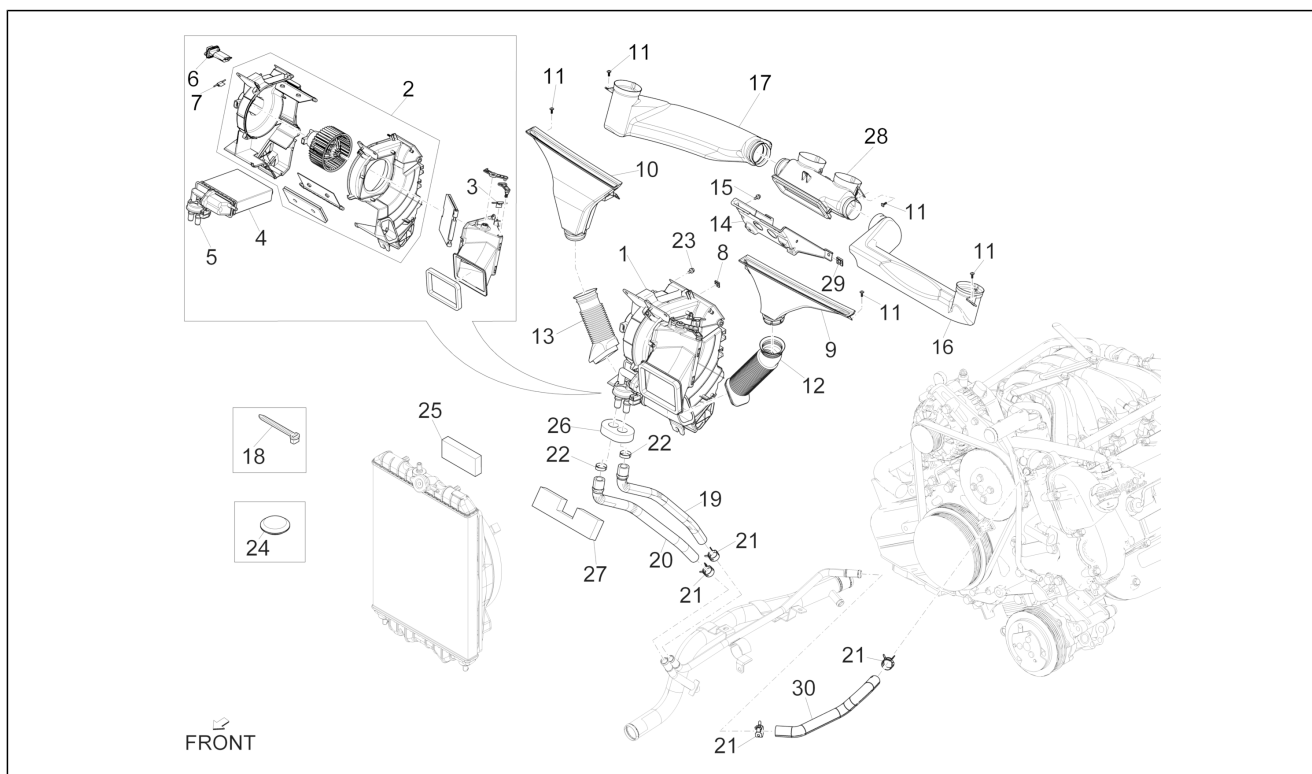
Pos.	Code	Beschreibung	Menge	Varianten
1	D9004480595	Puffer	3	
2	258469	Schelle	2	
3	1633787Z07000	Leitung	1	
4	1E000091	Haltebügel Kühler SX	1	
5	9165140814000	Schraube	2	
6	1E000090	Haltebügel Kühler DX	1	
7	D9165140614	Sechskantschraube	2	

Einheit	Fahrgestell - Plastikformteil - Karosserien
Code	02.45
Beschreibung	Heizungsanlage
Inspektion	1



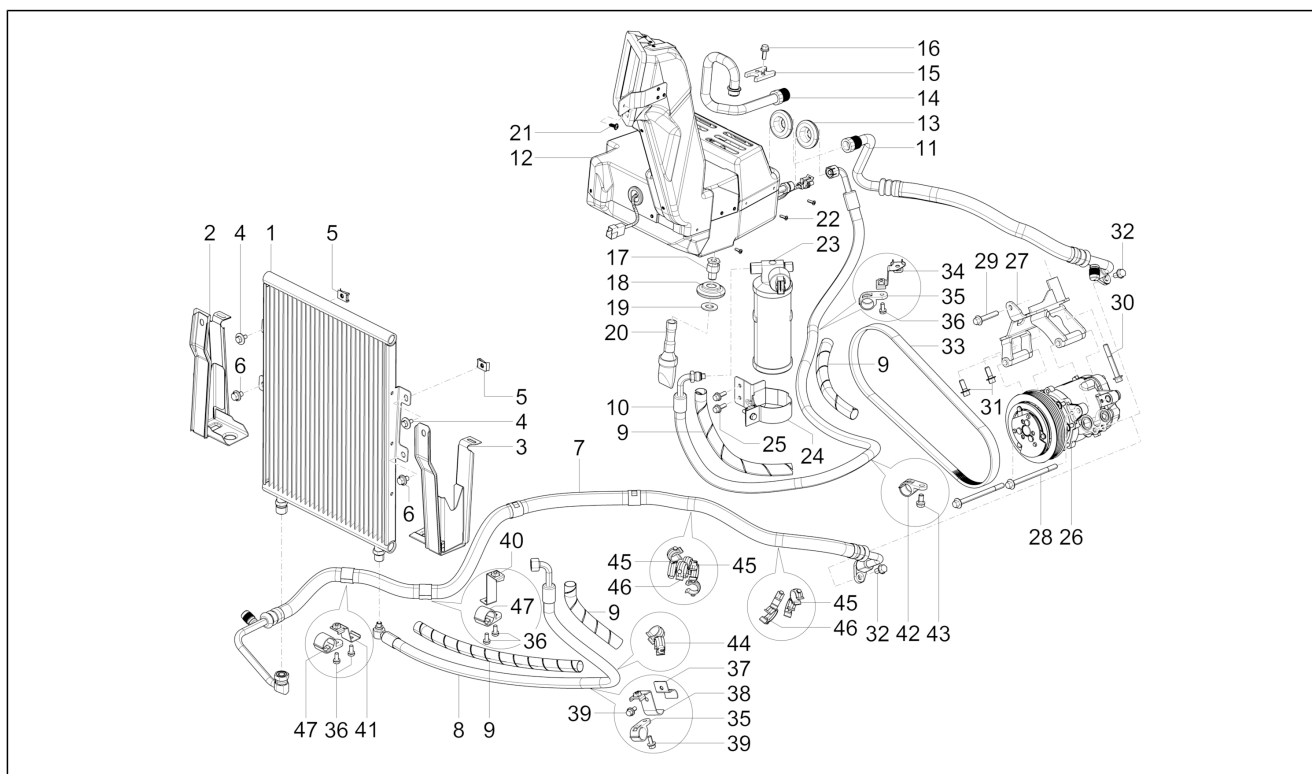
Pos.	Code	Beschreibung	Menge	Varianten
1	1E000998	Heizapparat	1	
2	493929	Ventilator	1	
3	493933	Schelle	1	
4	493930	-	1	
5	1E001000	Hahn	1	
6	B023106	Widerstand	1	
7	493932	Schelle	1	
8	D9004179138	Befestigungsplatte	4	
9	5509287Z02000	Luftdüse SX	1	
10	5509187Z02000	Luftdüse DX	1	
11	D9356755014	Sechskantschraube	5	
12	615100	Luftleitung links	1	
13	8723287Z02000	Luftleitung rechts	1	
14	612279	Halterung	1	
15	D9166140616	Sechskantschraube	4	
16	B000513	Luftleitung links	1	
17	614797	Luftleitung rechts	1	
18	145298	Reißschelle L=180 mm	1	
19	1E001016	Eingangsleitung Heizvorrichtung	1	
20	1E001017	Ausgangsleitung Heizvorrichtung	1	
21	9004467361000	Schelle	4	
22	CM001907	Schlauchschelle	2	
23	9004119260000	Schraubbolzen	2	
24	B007158	Verschlusschraube	1	
25	264646	Obere kühlerdichtung	2	
26	B007132	Dichtung	1	
27	B007147	Dichtung	2	
28	614826	Luftdüse	1	

Einheit	Fahrgestell - Plastikformteil - Karosserien
Code	02.45
Beschreibung	Heizungsanlage
Inspektion	1



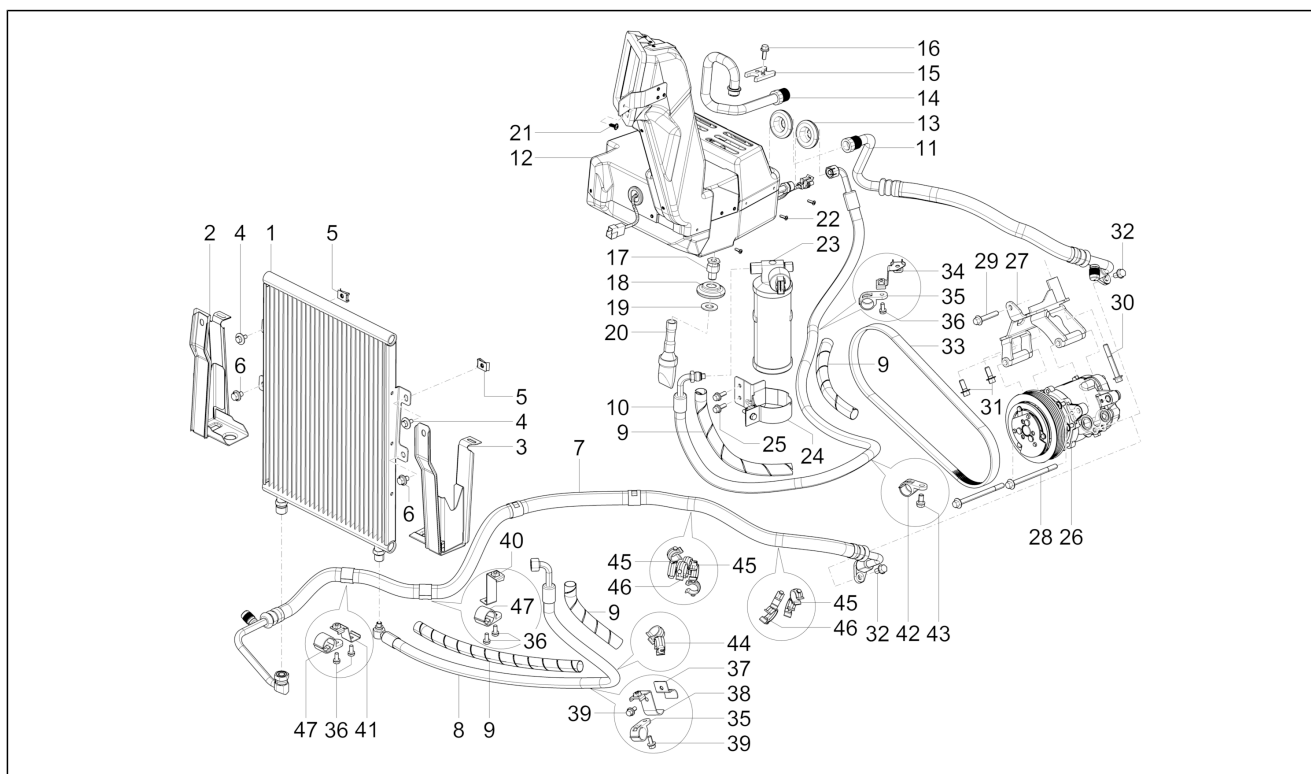
Pos.	Code	Beschreibung	Menge	Varianten
29	254485	Federplättchen M6	2	
30	1E000614	Vorlaufleitung Heizer	1	
31	1R000314	Dichtung Hahn	1	

Einheit	Fahrgestell - Plastikformteil - Karosserien
Code	02.47
Beschreibung	Klimaanlage
Inspektion	1



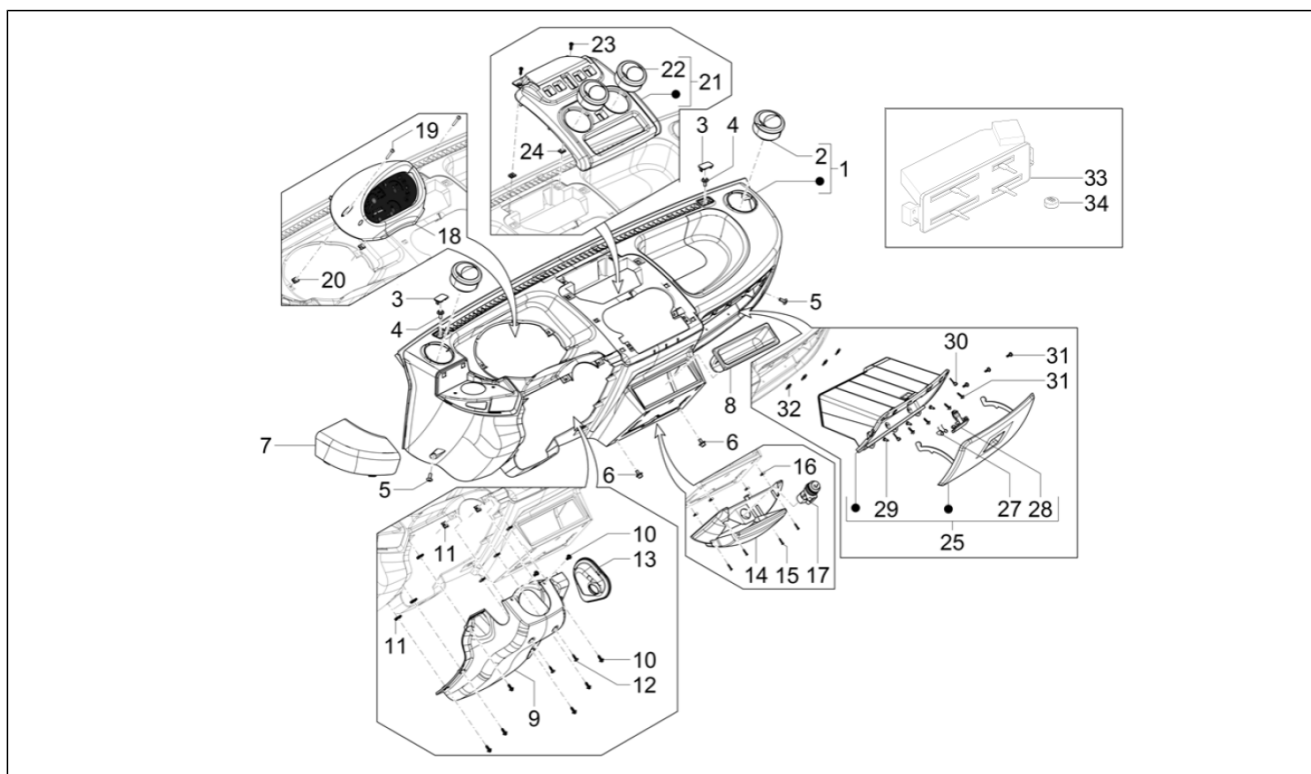
Pos.	Code	Beschreibung	Menge	Varianten
1	1E000176	Kondensator komplett mit Bügeln	1	
2	1E000090	Haltebügel Kühler DX	1	
3	1E000091	Haltebügel Kühler SX	1	
4	9004119260000	Schraubbolzen	2	
5	254485	Federplättchen M6	2	
6	9165140814000	Schraube	2	
7	1E001532	Leitung zu 13/32 Kondensator - Kompressor	1	
8	612197	Schlauch 5/16	1	
9	1E001542	Spirale Dynaflex	4	
10	612198	Leitung Filter-Verdampfer 5/16	1	
11	1E001533	Leitung zu 1/2 Kompressor - Verdampfer	1	
12	B004506	Verdampfergruppe Klimaanlage	1	
13	612500	Gummi	2	
14	B005643	Vorbildet Schlauch	1	
15	612499	Befestigungsflansch	1	
16	9165160620000	Schraubbolzen	1	
17	612501	Verflüssigerablass	1	
18	612500	Gummi	1	
19	612496	Flachscheibe 14x28	1	
20	612502	ZSB Verflüssigerablass	1	
21	9356715014000	Unterlegscheibe	2	
22	B005644	Blechschaube	3	
23	1E000995	Baugruppe Filter + Druckregler	1	
24	1E001131	Bügel Filter A/C	1	
25	9165160620000	Schraubbolzen	2	
26	1A003802	Verdichter Klimaanlage	1	
27	1A003083	Stütze Klimaanlage komplett	1	
28	1A004402	TE Schr. m. Flansch M8x110	2	

Einheit	Fahrgestell - Plastikformteil - Karosserien
Code	02.47
Beschreibung	Klimaanlage
Inspektion	1



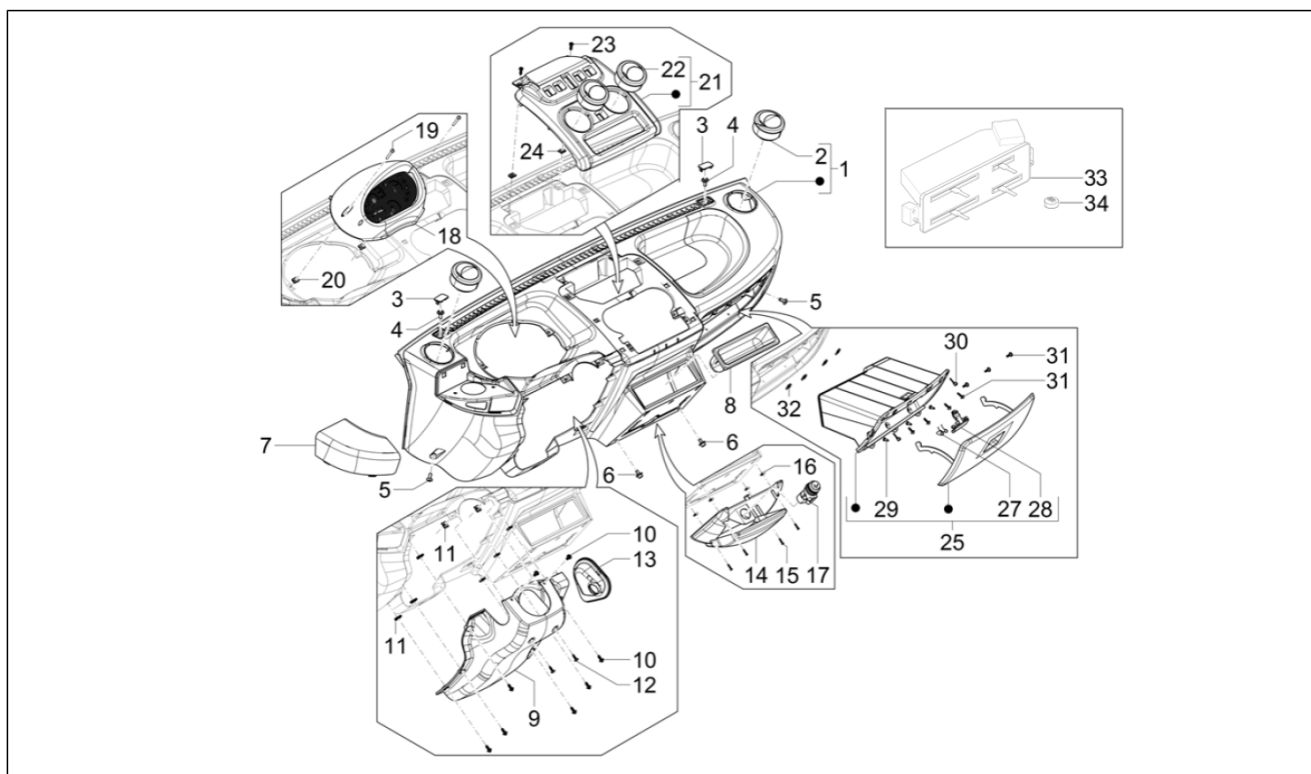
Pos.	Code	Beschreibung	Menge	Varianten
29	487211	TE Schr. m. Flansch M8x45	1	
30	874747	Sechskantschraube geflanscht M8x60	1	
31	889637	TE Schr. m. Flansch	2	
32	564005	Schraube	2	
33	1A003247	Riemen Klimaanlagenkompressor	1	
34	1E001615	Haltebügel Leitungen Klimaanlage n°6	1	
35	CM039704	Schelle	2	
36	D9161160614	Flanschschraube	5	
37	1E001548	Haltebügel Leitungen Klimaanlage n°3.2	1	
38	1E001547	Haltebügel Leitungen Klimaanlage n°3.1	1	
39	9165140616000	Schraubbolzen	2	
40	1E001598	Haltebügel Leitungen Klimaanlage n°5	1	
41	1E001549	Haltebügel Leitungen Klimaanlage n°4	1	
42	CM039904	Schelle	1	
43	9161160816000	Schraubbolzen	1	
44	B023371	Sperrfeder Leitungen	1	
45	612505	Rückhaltefeder Leitungen/Kabel D.18-22	3	
46	612504	Rückhaltefeder Leitungen/Kabel D.22-24	2	
47	CM039705	Schelle	2	
48	1D000930	Kabelbaum Klimaanlage	1	

Einheit	Lenker/Lenkung
Code	03.02
Beschreibung	Cockpitinstrumente - Cruscotto
Inspektion	1



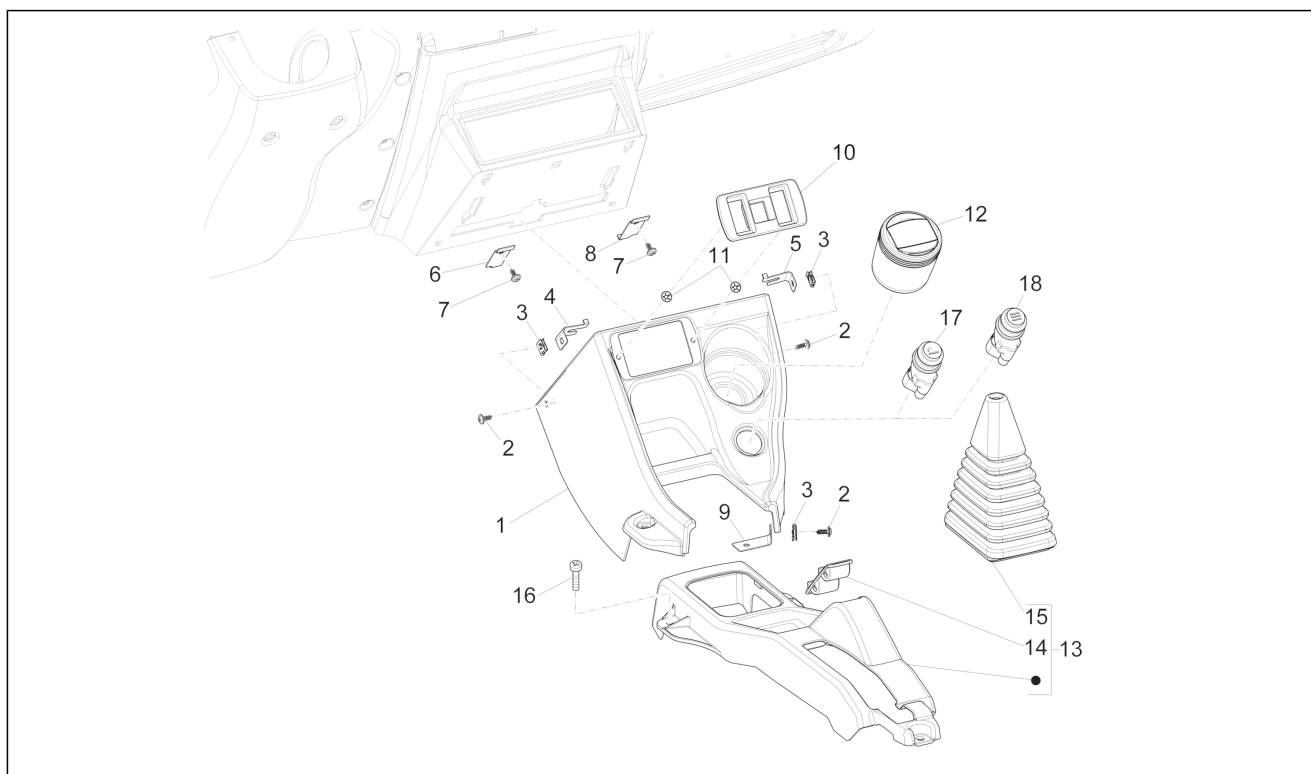
Pos.	Code	Beschreibung	Menge	Varianten
1	B005907	Kabine komplett	1	
2	613323	Luftdüse	2	
3	613813	Deckel	2	
4	D9163140616	Zylinderschraube	2	
5	272836	Zylinderkopfschraube mit Kreuzschlitz M6x16	2	
6	9004119537000	Schraubbolzen	2	
7	614794	Deckel	1	
8	613276	Handschuhfach	1	
9	B005909	Lenksäulenverkleidung	1	
10	9356755014000	Schraube	8	
11	D9004183025	Federplättchen	8	
12	576189	Gew.schr.	2	
13	1E001524	Verkleidung Lenkradschloss	1	
14	613326	Aschenbecher	1	
15	015859	Schraube 3,5x16	4	
16	CM017403	Federplättchen	4	
17	565429	Zigarettenanzünder	1	
18	1D000816	Instrumenteneinheit komplett	1	
19	614772	Schraube	2	
20	D9004183025	Federplättchen	2	
21	1E002505	Instrumententafel komplett	1	
21	B004258	Instrumententafel komplett	1	
22	613323	Luftdüse	2	
23	B004853	Blechschaube torx	2	
24	D9004183025	Federplättchen	2	
25	B005363	Fach komplett	1	
27	5552587Z01000	Feder	1	
28	644300	Haken klappe	1	

Einheit	Lenker/Lenkung
Code	03.02
Beschreibung	Cockpitinstrumente - Cruscotto
Inspektion	1



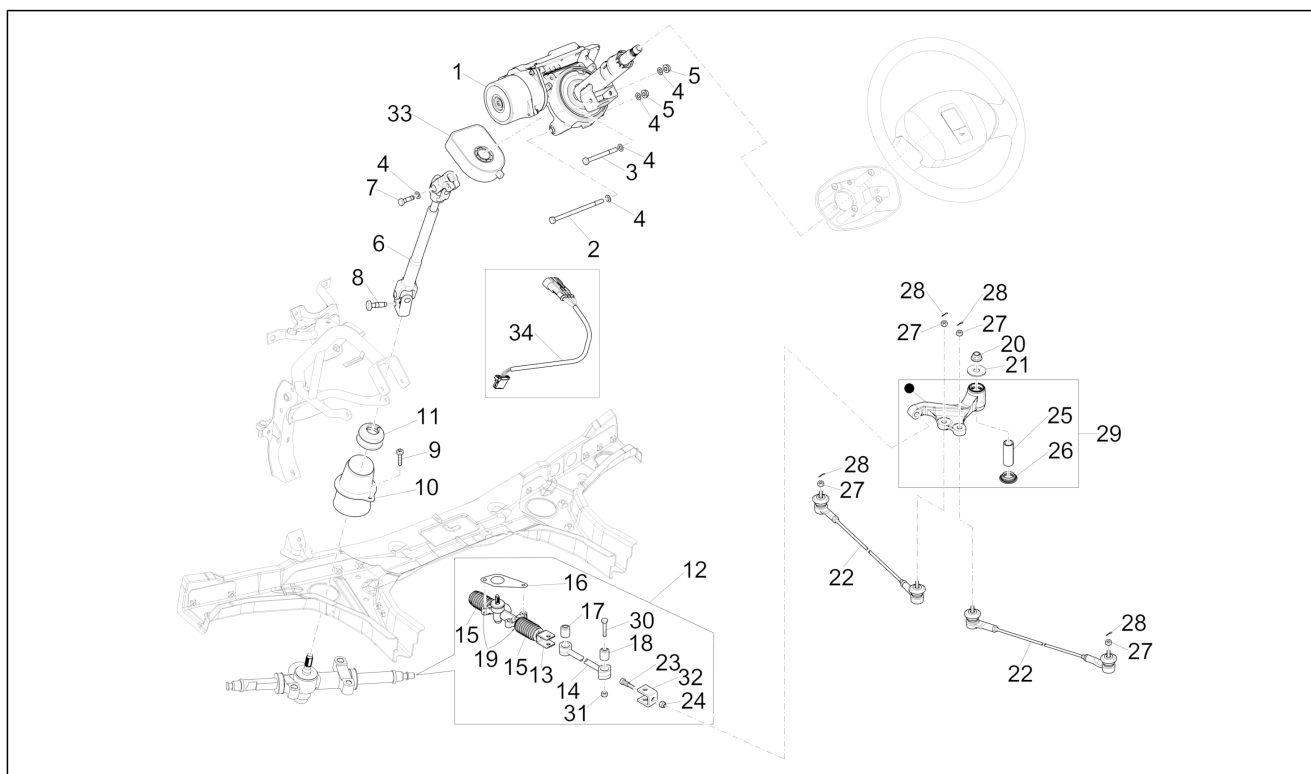
Pos.	Code	Beschreibung	Menge	Varianten
29	9354054012000	Schraube	3	
30	B000973	Gummi	2	
31	9356755016000	Schraube	7	
32	9004183025000	Mutter	4	
33	613679	Heizungsbedienung	1	
34	613678	Einstellknopf heizung	4	

Einheit	Lenker/Lenkung
Code	03.04
Beschreibung	Mittlerer Tunnel
Inspektion	1



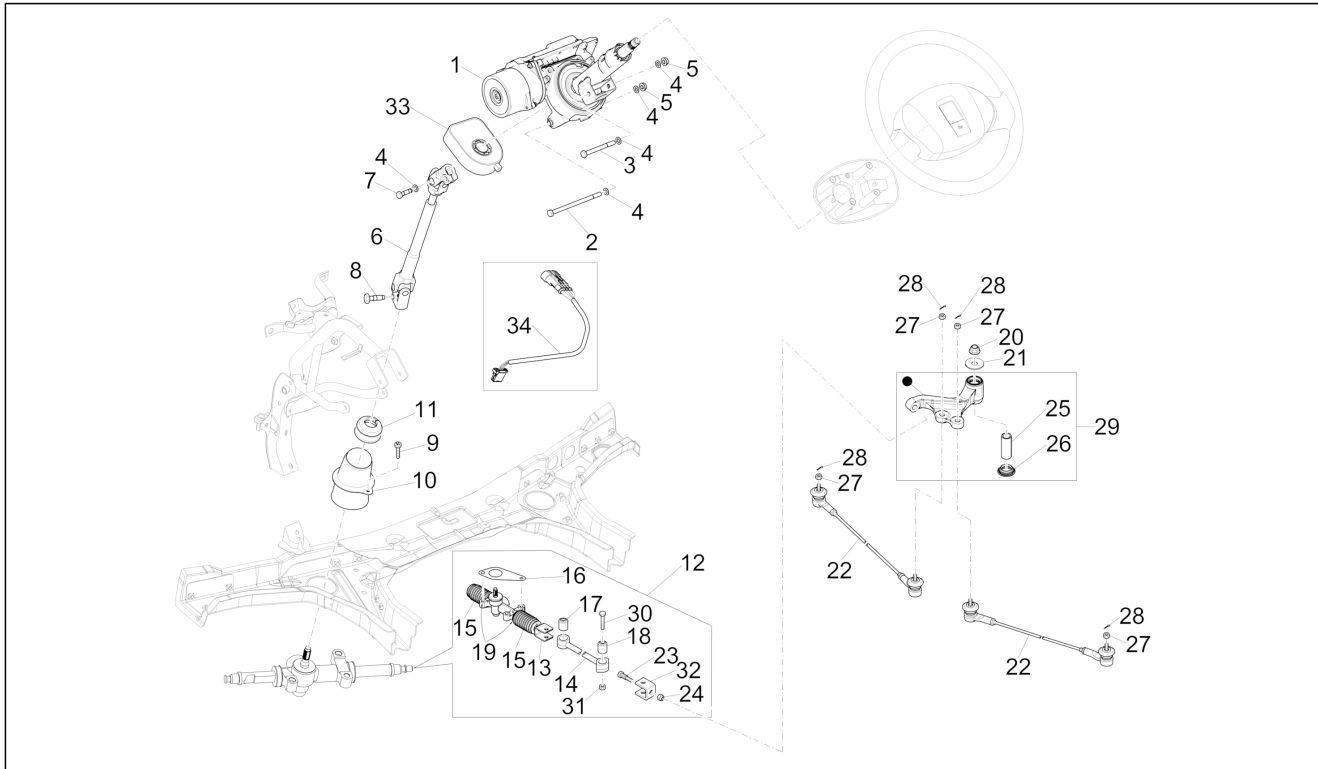
Pos.	Code	Beschreibung	Menge	Varianten
1	B004320	Tunnel	1	
2	D9356755014	Sechskantschraube	3	
3	D9004183025	Federplättchen	3	
4	B004459	L.Bügel unten	1	
5	B004317	R.Bügel unten	1	
6	B004315	Linkes halterbügel	1	
7	015859	Schraube 3,5x16	2	
8	B004316	Rechter halterbügel	1	
9	B004318	Befestigungsbügel Tunnel-Konsole	1	
10	B004325	Schalterträger	1	
11	181351	Federplättchen	2	
12	B004319	Aschenbecher	1	
13	615093	Konsole	1	
14	5882587Z01030	Tasche	1	
15	615430	Staubschutz schaltknüppel	1	
16	296170	Schraube M6x14	3	
17	565429	Zigarettenanzünder	1	
18	B007157	Steckdose	1	

Einheit	Lenker/Lenkung
Code	03.06
Beschreibung	Lenkradartikulation
Inspektion	1



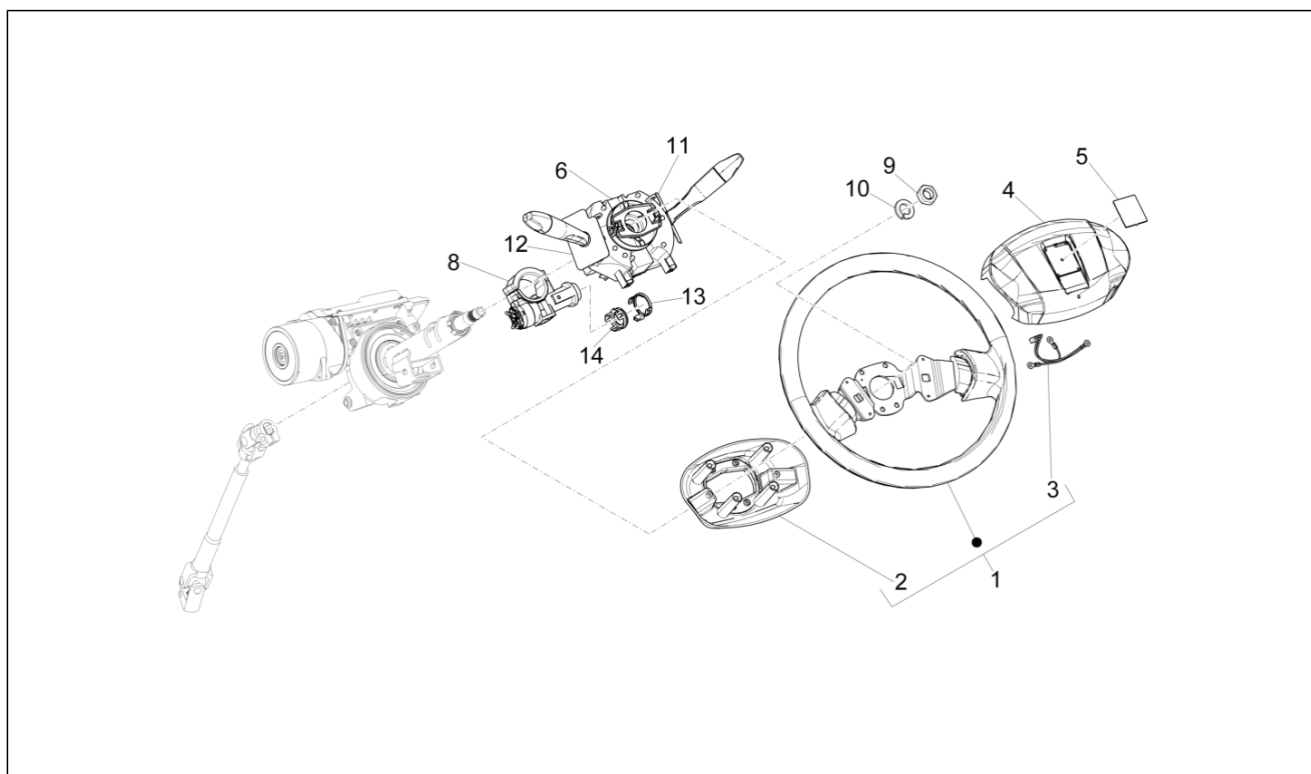
Pos.	Code	Beschreibung	Menge	Varianten
1	B005915	Lenksäule mit EPS (contact less)	1	
2	B000508	Sechskantschraube	1	
3	030082	Schraube	1	
4	006032	Unterlegscheibe	4	
5	967363	Mutter M8x1,25	2	
6	1E001212	Untere Achse Lenkung mit doppeltem Kardangelen	1	
7	B000504	Spezialschraube M8x30	1	
8	B000505	Spezialschraube	1	
9	D9327056012	Sechskantschraube	1	
10	B000466	Haube	1	
11	1E001294	Schutzring	1	
12	B004148	Lenkgehäuse komplett	1	
13	B004827	Bügel	1	
14	B004678	Gelenk	1	
15	B004820	Haube	2	
16	B004694	Staubschutz	1	
17	B004679	Buchse	1	
18	B004680	Buchse	1	
19	B004821	Sprengring	2	
20	9004178043000	Mutter	1	
21	9004201638000	Unterlegscheibe	1	
22	652234	Achsschenkel	2	
23	B004826	Spezialschraube	1	
24	B004825	Mutter, selbstsichernd	1	
25	9004389104000	Bundring	1	
26	9004210027000	Unterlegscheibe	1	
27	9004171003000	Mutter	4	
28	261336	Splint	4	

Einheit	Lenker/Lenkung
Code	03.06
Beschreibung	Lenkradartikulation
Inspektion	1



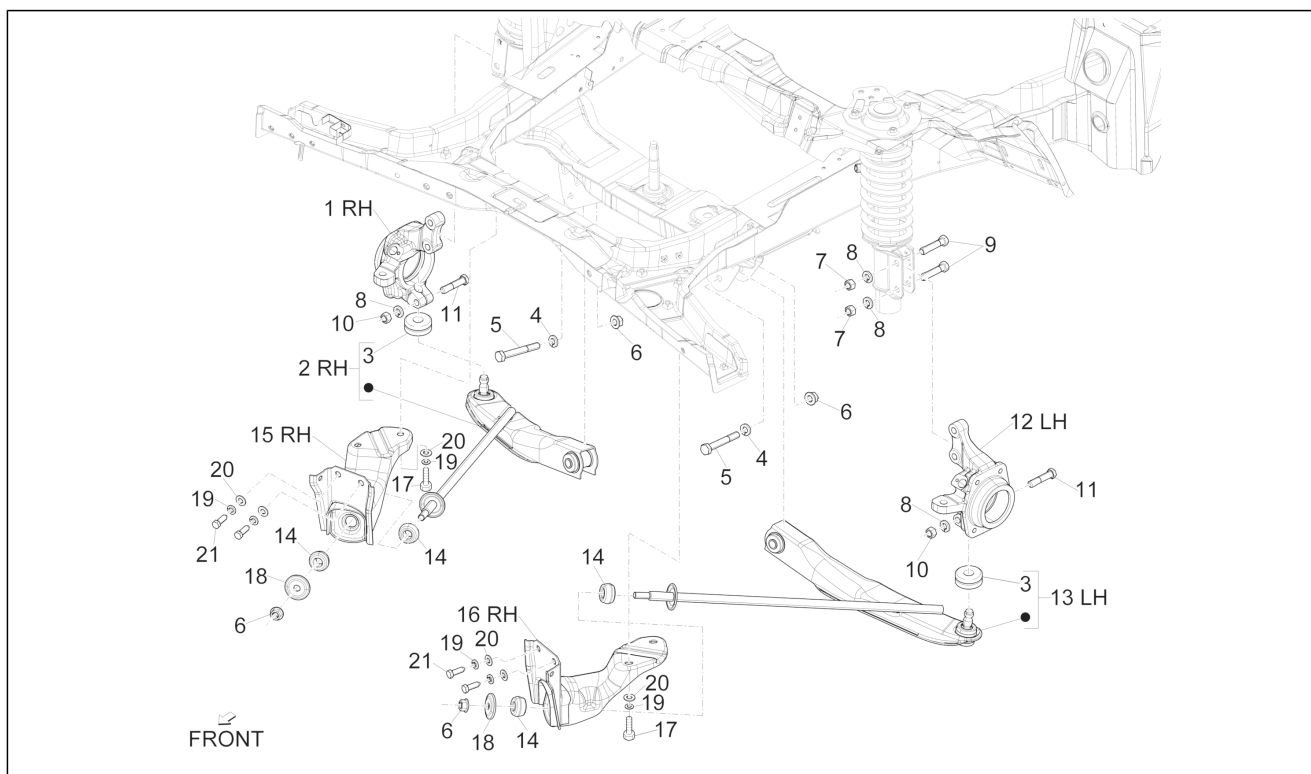
Pos.	Code	Beschreibung	Menge	Varianten
29	2624805	Lenkarm als Ersatz.	1	
30	B004823	Sechskantschraube	2	
31	B004824	Mutter, selbstsichernd	2	
32	B004822	Bügel	1	
33	1D001010	Lenkwinkelsensor	1	
34	1D001120	Kabel Lenkwinkelsensor	1	

Einheit	Lenker/Lenkung
Code	03.08
Beschreibung	Lenkrad
Inspektion	1



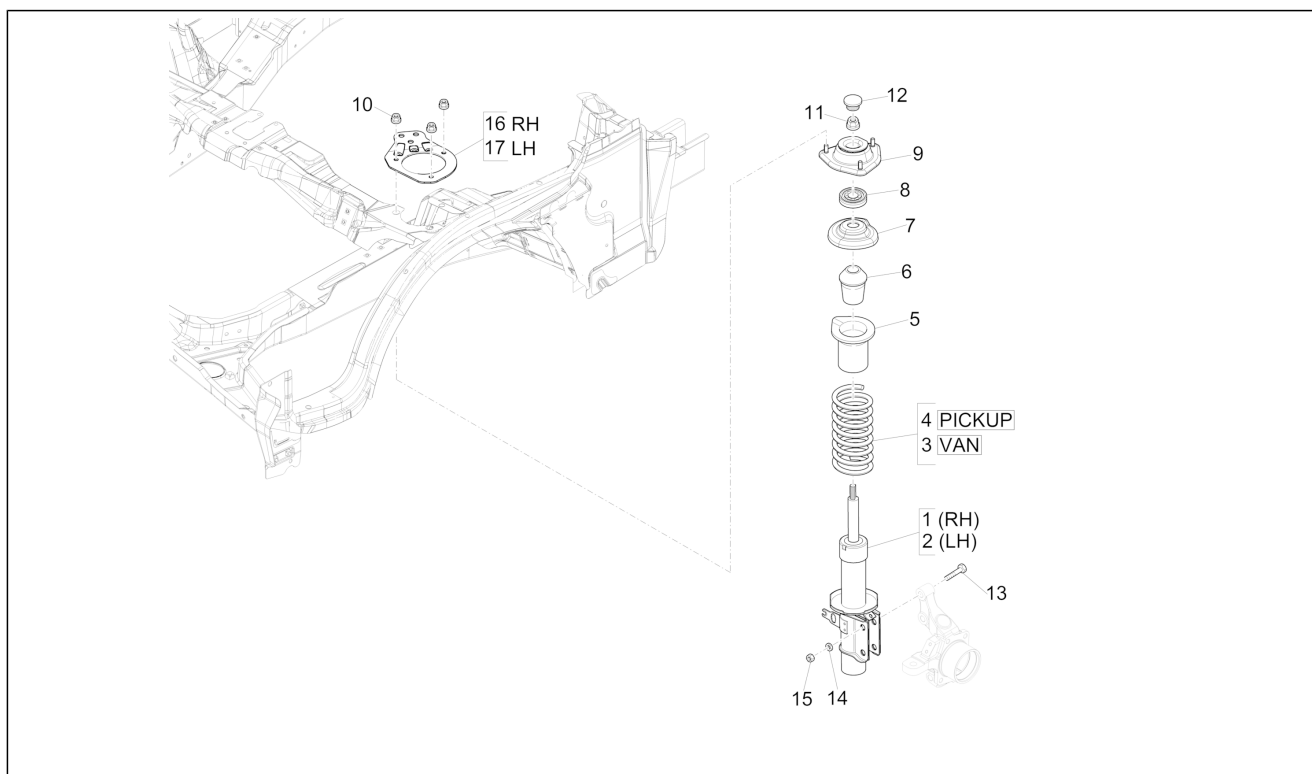
Pos.	Code	Beschreibung	Menge	Varianten
1	B000932	Lenkrad	1	
2	B000933	Schutz unten	1	
3	B000934	Kabel	1	
4	B000935	Abdeckung Hupe	1	
5	B000516	Piaggio plakette	1	
6	B004275	Lichtschalter	1	
6	B004276	Lichtschalter	1	
8	B004111	Lenkerschloss mit Zündschalter	1	
9	021216	Mutter	1	
10	B000497	Federring	1	
11	B004123	Staubschutzring rechts	1	
12	B004124	Staubschutzring links	1	
13	1E001523	Antennenhalterung	1	
14	1D001191	Immobilizer antenne	1	

Einheit	Radaufhängungen
Code	04.01
Beschreibung	Schwingarm
Inspektion	1



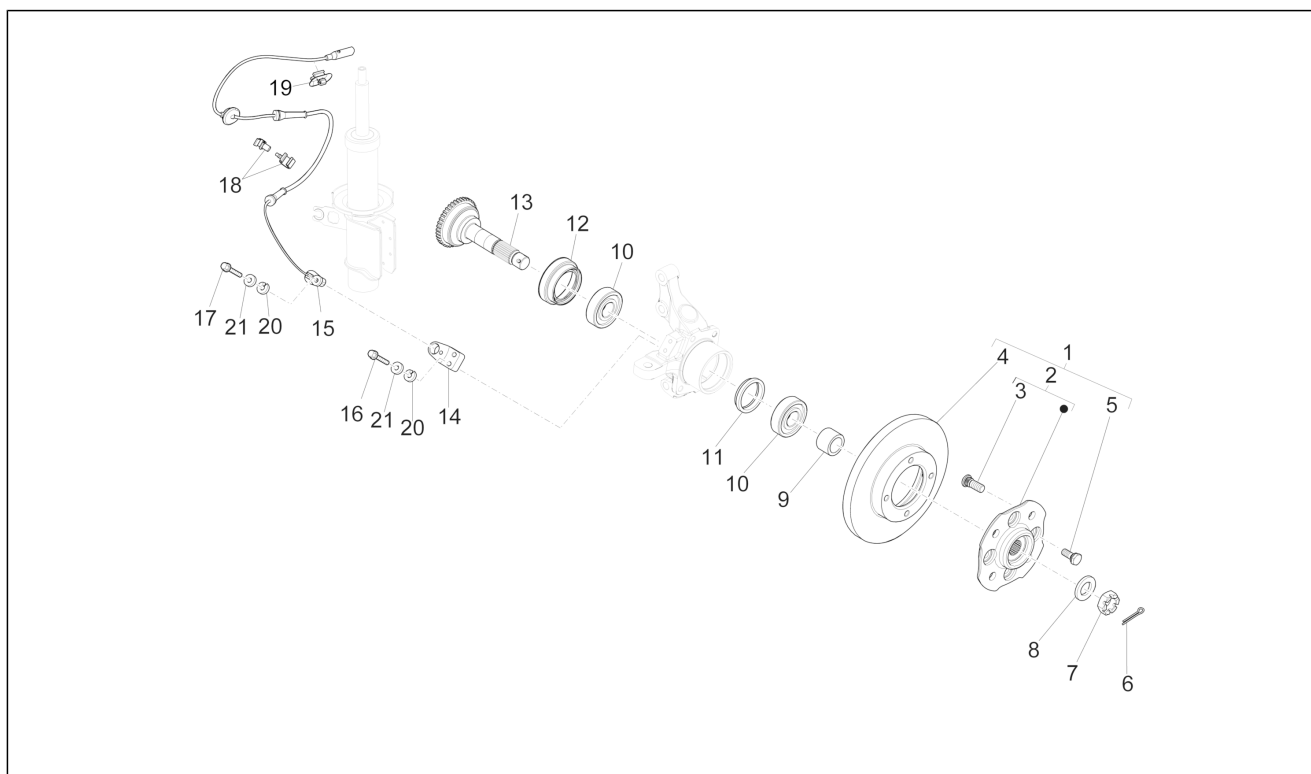
Pos.	Code	Beschreibung	Menge	Varianten
1	B000522	Nabe rechts	1	
2	B007554	Unterer Querlenker Vorderradaufh. rechts mit Innenteilen	1	
3	4334587507000	Staubschutz	2	
4	D9451201200	Flachscheibe	2	
5	B007665	Sechskantschraube M12x90	2	
6	264878	Geflanschte Mutter M12x1,25	2	
7	D9411551200	Mutter	4	
8	D9451201200	Flachscheibe	6	
9	D9004101583	Schraubbolzen	4	
10	D9411571200	Mutter	2	
11	D9004101583	Schraubbolzen	2	
12	B000521	Nabe links	1	
13	B007555	Unterer Querlenker Vorderradaufh. links mit Innenteilen	1	
14	4867487Z01000	Puffer	2	
15	4807387Z01000	Befestigung rechter holm	1	
16	4807487Z02000	Befestigung linker holm	1	
17	B005057	Sechskantschraube M10x30	2	
18	D9004201542	Unterlegscheibe	2	
19	9451201000000	Onduflex u.scheibe	4	
20	D9461211001	Unterlegscheibe	4	
21	B005057	Sechskantschraube M10x30	4	

Einheit	Radaufhängungen
Code	04.03
Beschreibung	Vordere Radaufhängung - Stoßdämpfer
Inspektion	1



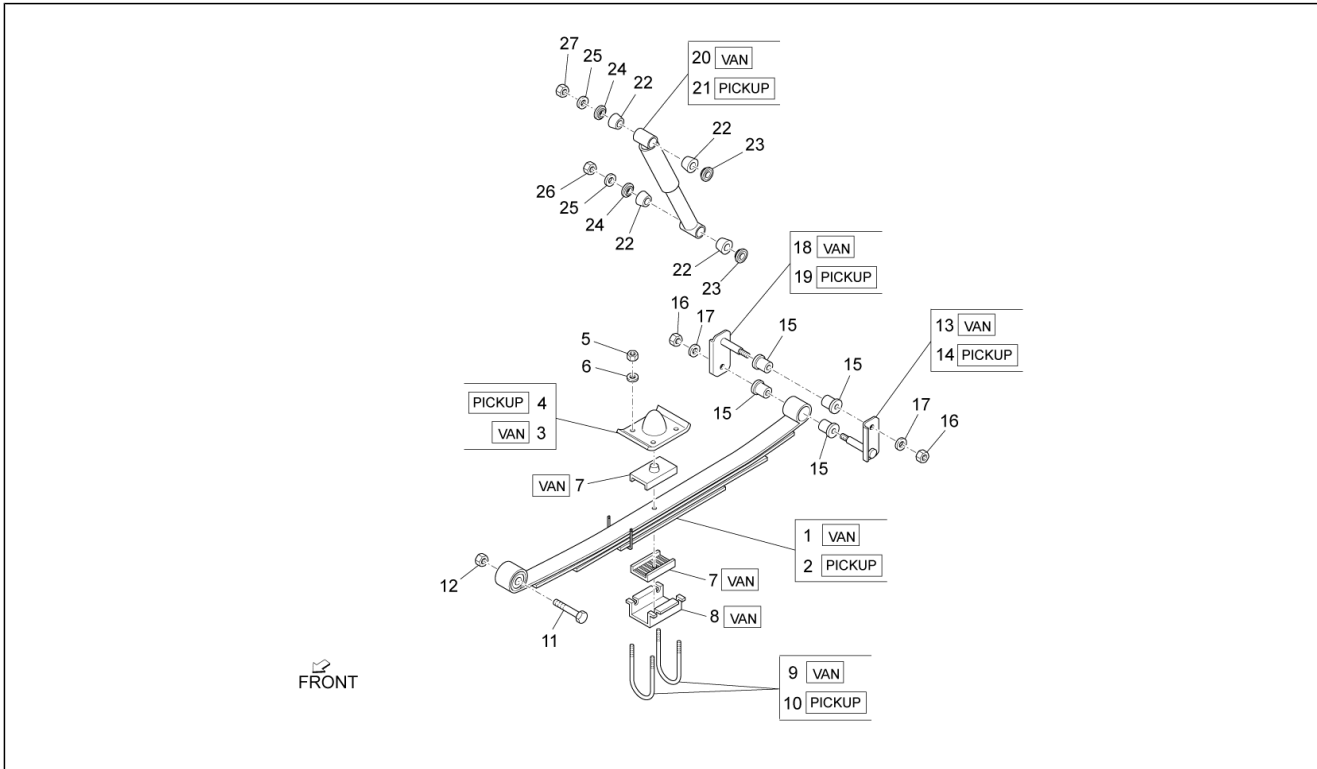
Pos.	Code	Beschreibung	Menge	Varianten
1	1E000767R	Stoßdämpfer vorne RE	1	
2	1E000768R	Stoßdämpfer vorderer links	1	
3	4813187Z20000	Stoßdämpferfeder	1	
4	4813187Z19000	Stoßdämpferfeder	1	
5	4855987Z01000	Staubschutz stoßdämpfer	2	
6	658155	Puffer	2	
7	D4847087Z02	Oberer sitz	2	
8	9004386101000	Stoßdämpferbuchse vorne	2	
9	B004342	Elastische Halterung	2	
10	9004179075000	Mutter	6	
11	264878	Geflanschte Mutter M12x1,25	2	
12	4868487502000	Staubschutz	2	
13	9117171255000	Schraubbolzen M12x55	4	
14	D9451201200	Flachscheibe	4	
15	D9411551200	Mutter	4	
16	B000044	Platte, rechts	1	
17	B000045	Linke Verankerungsplatte Stange	1	

Einheit	Radaufhängungen
Code	04.04
Beschreibung	Vorderradnabe
Inspektion	1



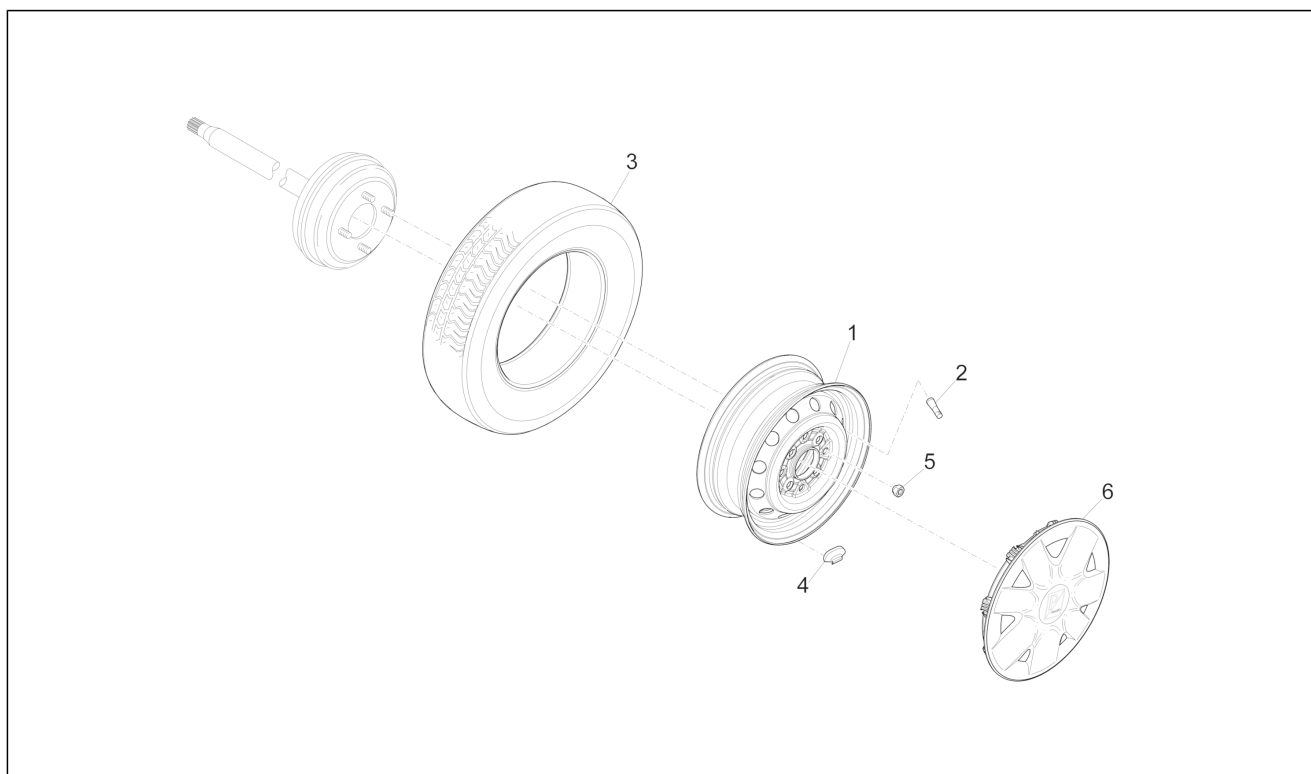
Pos.	Code	Beschreibung	Menge	Varianten
1	D4351087Z02	-	2	
2	4350287Z01000	Vorderachsnahe	2	
3	D9004912035	Schraube	8	
4	4351287Z02000	Bremsscheibe Vorderradbremse	2	
5	9004119520000	Schraubbolzen	8	
6	D9004252016	Splint	2	
7	D9004171053	Mutter	2	
8	9004201224000	Unterlegscheibe	2	
9	9004389068000	Distanzstück Lager	2	
10	9004363242000	Lager	2	
11	644299	Bundring	2	
12	9004311201000	Gasket ring	2	
13	56593R	Radachse CPI	2	
14	B000523	Sensor halter	2	
15	B000525	Vorderer ABS-Sensor	2	
16	030052	Schraube	4	
17	031090	Sechskantschraube	2	
18	B004140	Kleine Feder	2	
19	B005629	Molletta	2	
20	016406	Federring 6,4x11,8x1	6	
21	013777	Unterlegscheibe 6.4x13x1.5	6	

Einheit	Radaufhängungen
Code	04.05
Beschreibung	Hintere Radaufhängung - Stoßdämpfer
Inspektion	1



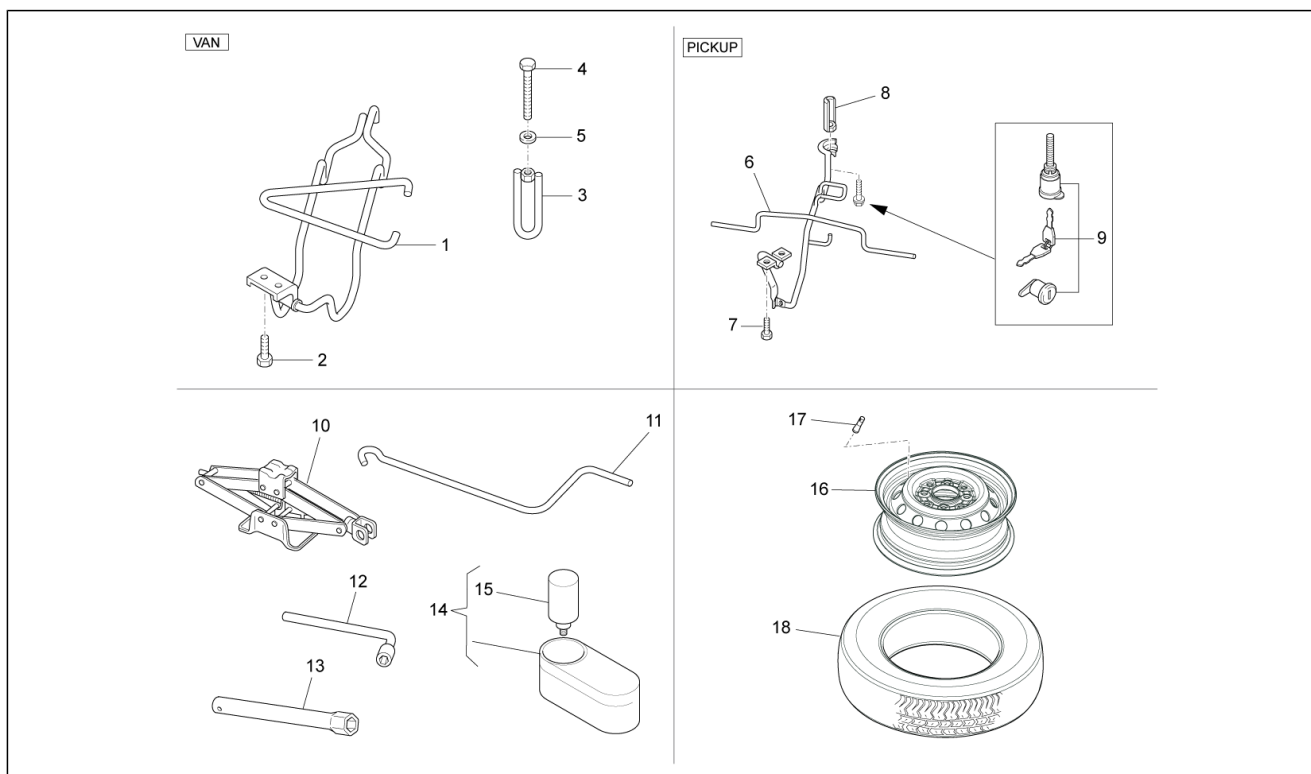
Pos.	Code	Beschreibung	Menge	Varianten
1	B005010	Feder Blattfeder	2	
2	B005011	Feder Blattfeder	2	
3	4834187Z03000	Puffer hintere feder	2	
4	4834187Z02000	Puffer hintere feder	2	
5	D9411071000	Mutter	8	
7	4837287Z01000	Rückhalteteil	4	
8	4837187Z02000	Rückhalter feder	2	
9	D9004117087T	U-Schraube	4	
10	B000067	U-Bolzen	2	
11	B007665	Sechskantschraube M12x90	2	
12	261319	Mutter m12x1,25 h=12,5	2	
13	4840887Z01000	Befestigung hinteres aufhängungsgel	2	
14	D4840887Z03	Befestigung hinteres aufhängungsgel	2	
15	261219	Gummibuchse	8	
16	D9411051000	Mutter	2	
17	9451101000000	Unterlegscheibe	4	
18	4804187Z01000	Befestigung hinteres aufhängungsgel	2	
19	D4804187Z02	Befestigung hinteres aufhängungsgel	2	
20	B005012	Stoßdämpfer hinten	2	
21	56594R	Stoßdämpfer hinten	2	
22	B004981	Buchse	8	
23	D9004209144	Flachscheibe	4	
24	D9004209143	Flachscheibe	4	
25	D9451101200	Unterlegscheibe	4	
26	D9004170152	Mutter	2	
27	D9411541200	Mutter	2	

Einheit	Radaufhängungen
Code	04.06
Beschreibung	Vorderräder und Hinterräder
Inspektion	1



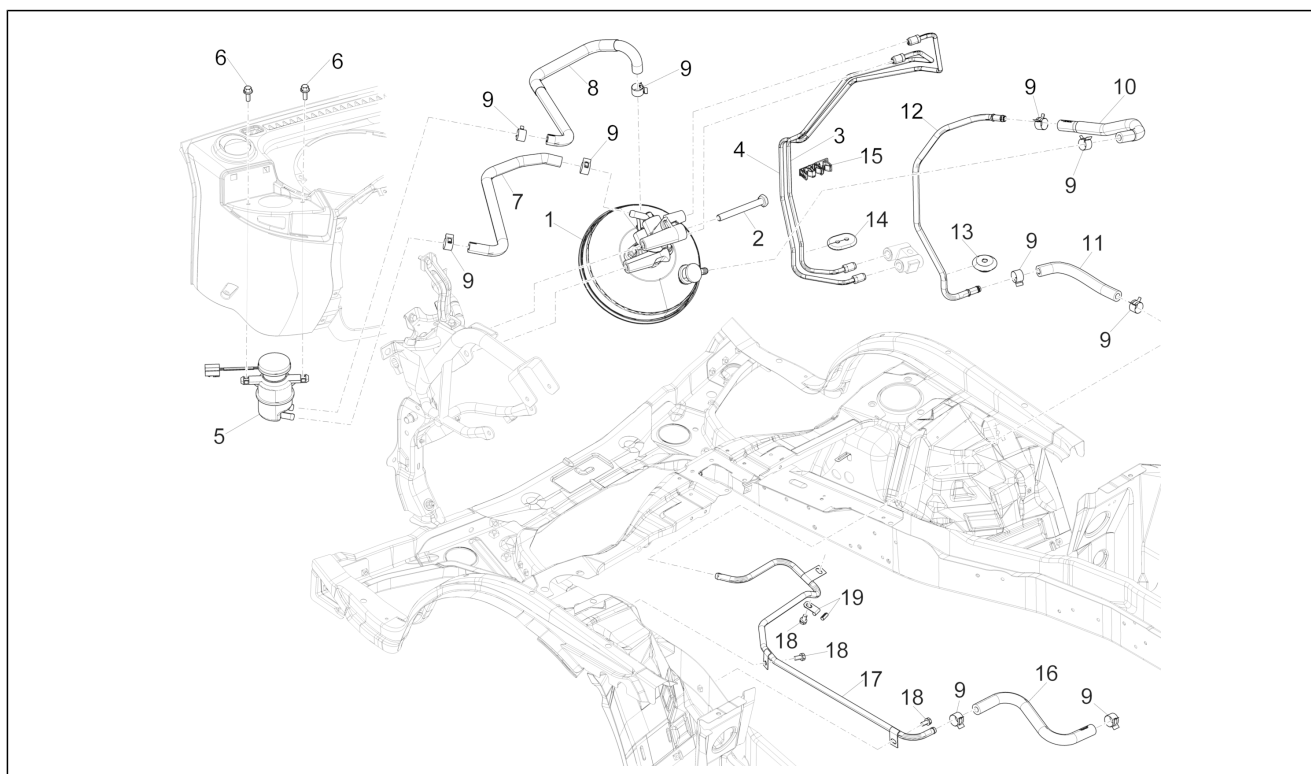
Pos.	Code	Beschreibung	Menge	Varianten
1	56591R	Radfelge 4,5 J 13"	4	
2	9004902019000	Ventil	4	
3	B007414	Schlauchloser Reifen 155/80-13"	4	
3	1E003250	Schlauchloser Reifen 155/80-13"	1	Modell: Für gem. Norm Euro 6 C zugelassene Modelle[E6-C]
4	CM037402	Ausgleichsgegengewicht 10 g	1	
4	CM037403	Ausgleichsgegengewicht 15 g	1	
4	CM037404	Ausgleichsgegengewicht 20 g	1	
4	CM037405	Ausgleichsgegengewicht 25 g	1	
4	CM037406	Ausgleichsgegengewicht 30 g	1	
4	CM037407	Ausgleichsgegengewicht 35 g	1	
4	CM037408	Ausgleichsgegengewicht 40 g	1	
4	CM037409	Ausgleichsgegengewicht 45 g	1	
4	CM037410	Ausgleichsgegengewicht 50 g	1	
4	CM037411	Ausgleichsgegengewicht 55 g	1	
4	CM037412	Ausgleichsgegengewicht 60 g	1	
5	9004911036000	Mutter	16	
6	B005651	Radabdeckung 13"	4	

Einheit	Radaufhängungen
Code	04.07
Beschreibung	Ersatzrad - Werkzeugtasche
Inspektion	1



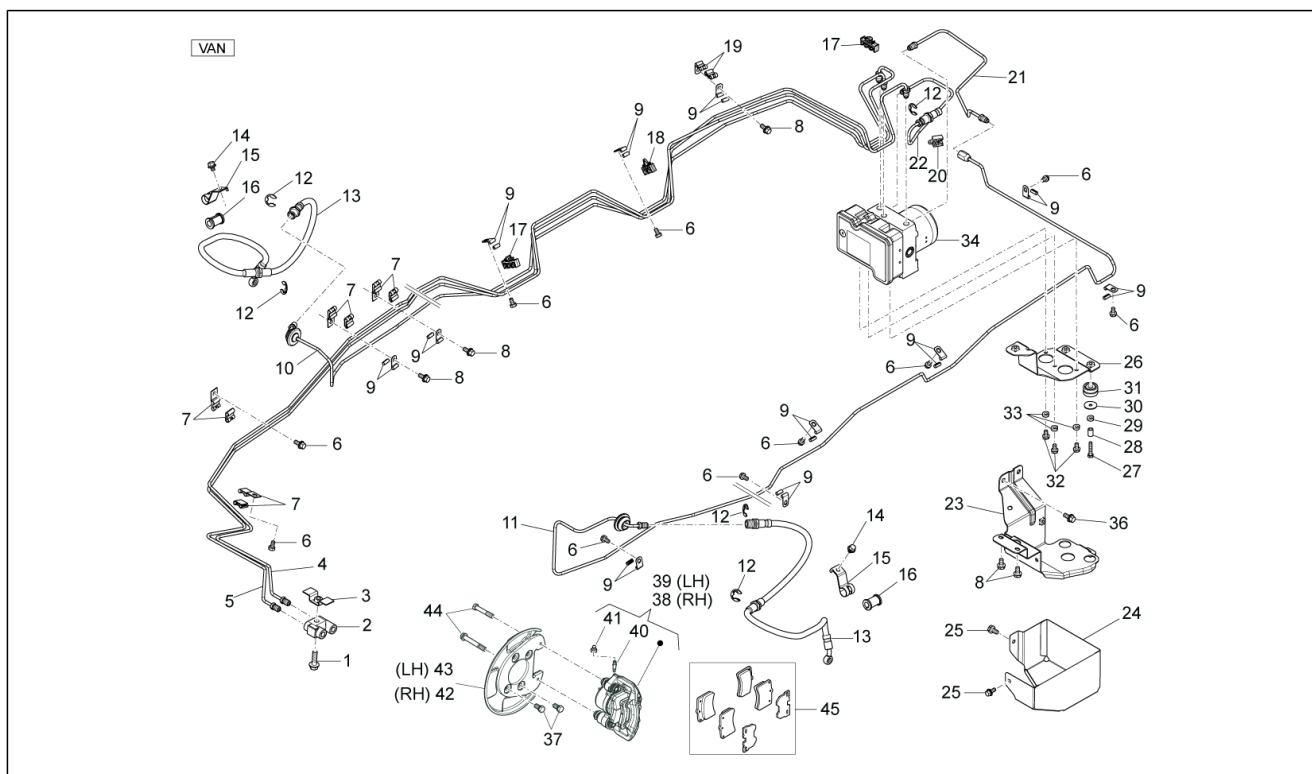
Pos.	Code	Beschreibung	Menge	Varianten
1	B007024	Reserveradtrommel 13"	1	
2	9165140816000	Schraube	2	
3	5190987Z01000	Haken ersatzradbefestigung	1	
4	B007025	Sechskantschraube	1	
5	9004201549000	Unterlegscheibe	1	
6	B004623	Reserveradtrommel	1	
7	9165140822000	Sechskantschraube	1	
8	5195287Z01000	Reserveradhalterung	1	
9	613849	Schloss Reserverad	1	
10	B000878	Wagenheber	1	
11	0911387Z01000	Kurbel wagenheber	1	
12	0915187Z03000	Socket spanner	1	
13	0915587Z04000	Zündkerzenschlüssel	1	
14	646230	Reparaturkit	1	
15	651883	Sprühdose	1	
16	56591R	Radfelge 4,5 J 13"	1	
17	9004902019000	Ventil	1	
18	1E003250	Schlauchloser Reifen 155/80-13"	1	Modell: Für gem. Norm Euro 6 C zugelassene Modelle[E6-C]
18	B007414	Schlauchloser Reifen 155/80-13"	1	

Einheit	Bremsanlage - Bowdenzüge
Code	05.01
Beschreibung	Front bremschlauchen - Pumpe
Inspektion	1



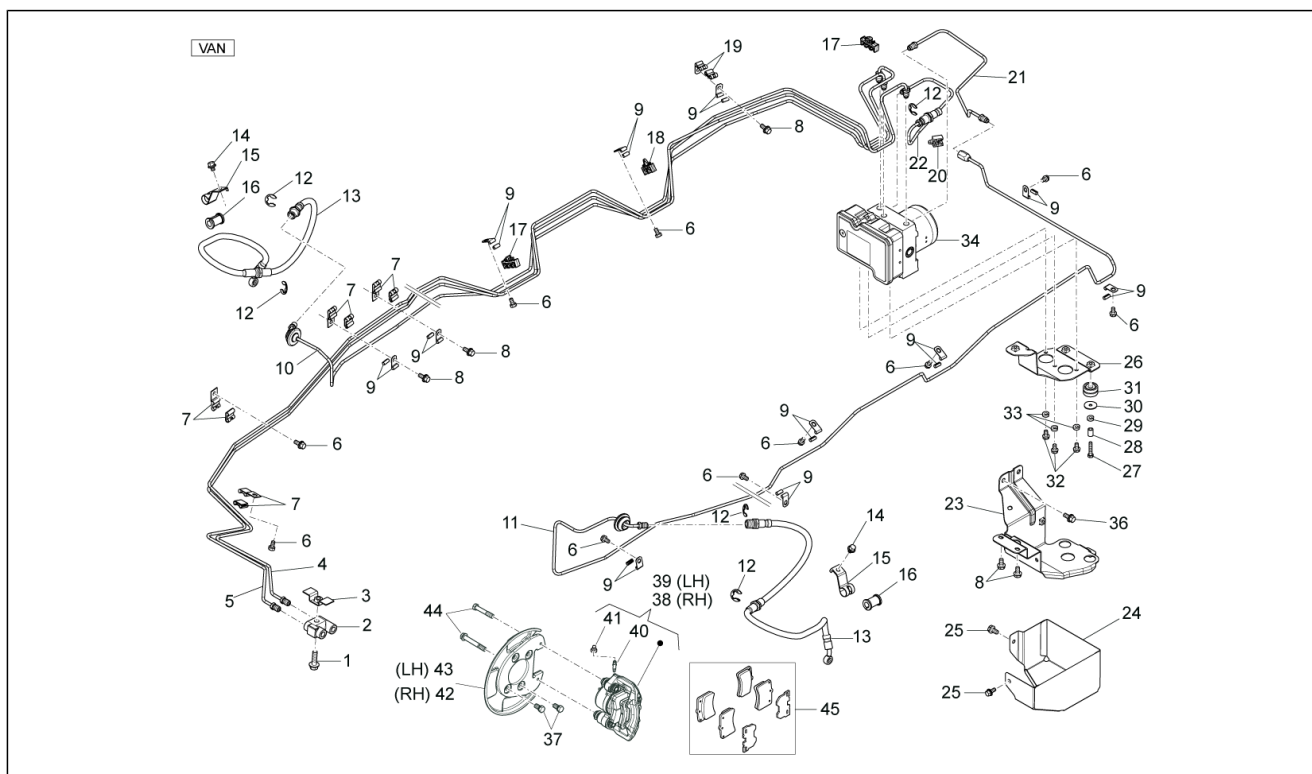
Pos.	Code	Beschreibung	Menge	Varianten
1	1E000969	Bremspumpe komplett	1	
2	262125	Sechskantschraube M10x130	2	
3	1E001315	Bremsleitung vorne TMC / 4-Wege	1	
4	1E001314	Bremsleitung vorne TMC / 4-Wege	1	
5	613319	Öltank Bremsen	1	
6	9165160620000	Schraubbolzen	2	
7	B000892	Tankleitung N.2	1	
8	B000893	Tankleitung N.1	1	
9	D9004467161	Schlauchschelle	9	
10	1E001568	Flexible Leitung Vakuumpumpe Nr. 1	1	
11	B007829	Schlauch	1	
12	4476287Z02000	Leitung	1	
13	9004480378000	Kabelführung	1	
14	1E001062	Kabelführung	1	
15	1E001063	Kleine Feder	1	
16	1E001517	Flexible Leitung Vakuumpumpe Nr. 3	1	
17	B007348	Rohr	1	
18	9161160612000	Schraubbolzen	1	
19	D9622130705	Schelle	1	

Einheit	Bremsanlage - Bowdenzüge
Code	05.02
Beschreibung	Bremschläuchen - Bremszangen
Inspektion	1



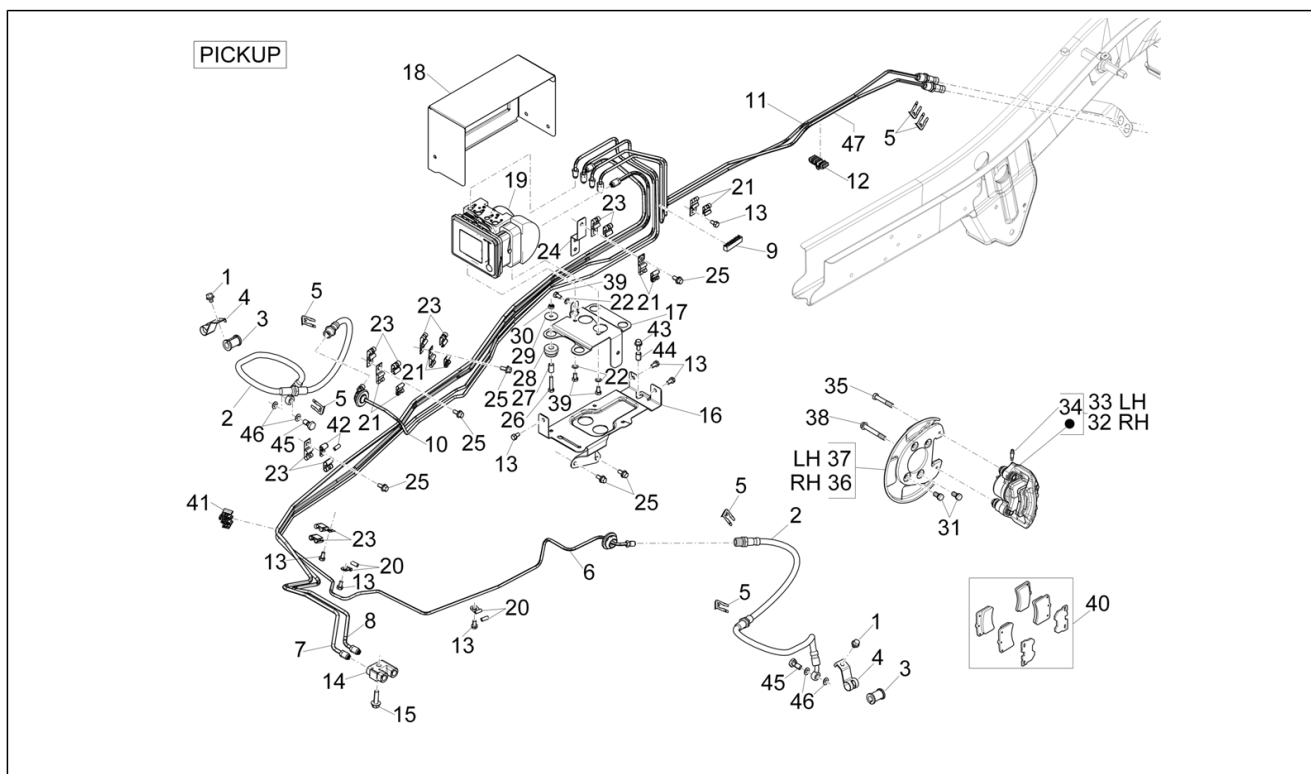
Pos.	Code	Beschreibung	Menge	Varianten
1	D9165160830	Flanschschraube	1	
2	B000527	4-Wege-Anschluss	1	
3	D5515287Z01	Halterung	1	
4	B000542	Bremsleitung vorne 4-Wege HECU/ABS	1	
5	B000541	Bremsleitung hinten 4-Wege HECU/ABS	1	
6	9161160612000	Schraubbolzen	10	
7	D9004461468	Schelle	4	
8	D9165140616	Sechskantschraube	5	
9	D9622130705	Schelle	11	
10	B000543	Bremsleitung HECU-ABS/flex. Leitung vorne rechts	1	
11	B006197	Bremsleitung vorne li	1	
12	261332	Schraube	5	
13	9004922154000	Bremsschlauch	2	
14	D9165160610	Flanschschraube	2	
15	D9004461432	Schelle	2	
16	D9004540022	Puffer	2	
17	B005042	Schelle	2	
18	B005041	Schelle	1	
19	D9004461364	Schelle	1	
20	D9004464629	Sperrfeder Leitungen	1	
21	1E000910	Bremsleitung HECU-ABS/flex. Leitung vorne links	1	
21	B000544	Bremsleitung HECU-ABS/flex. Leitung vorne links	1	
22	B000545	Bremsleitung HECU-ABS/flex. Leitung hinten links	1	
23	B000910	Bügel unten	1	
24	B000911	Schutz	1	
25	D9165140612	Sechskantschraube	3	
26	B000909	Modulator Bügel oberen	1	
27	030052	Schraube	3	

Einheit	Bremsanlage - Bowdenzüge
Code	05.02
Beschreibung	Bremschläuchen - Bremszangen
Inspektion	1



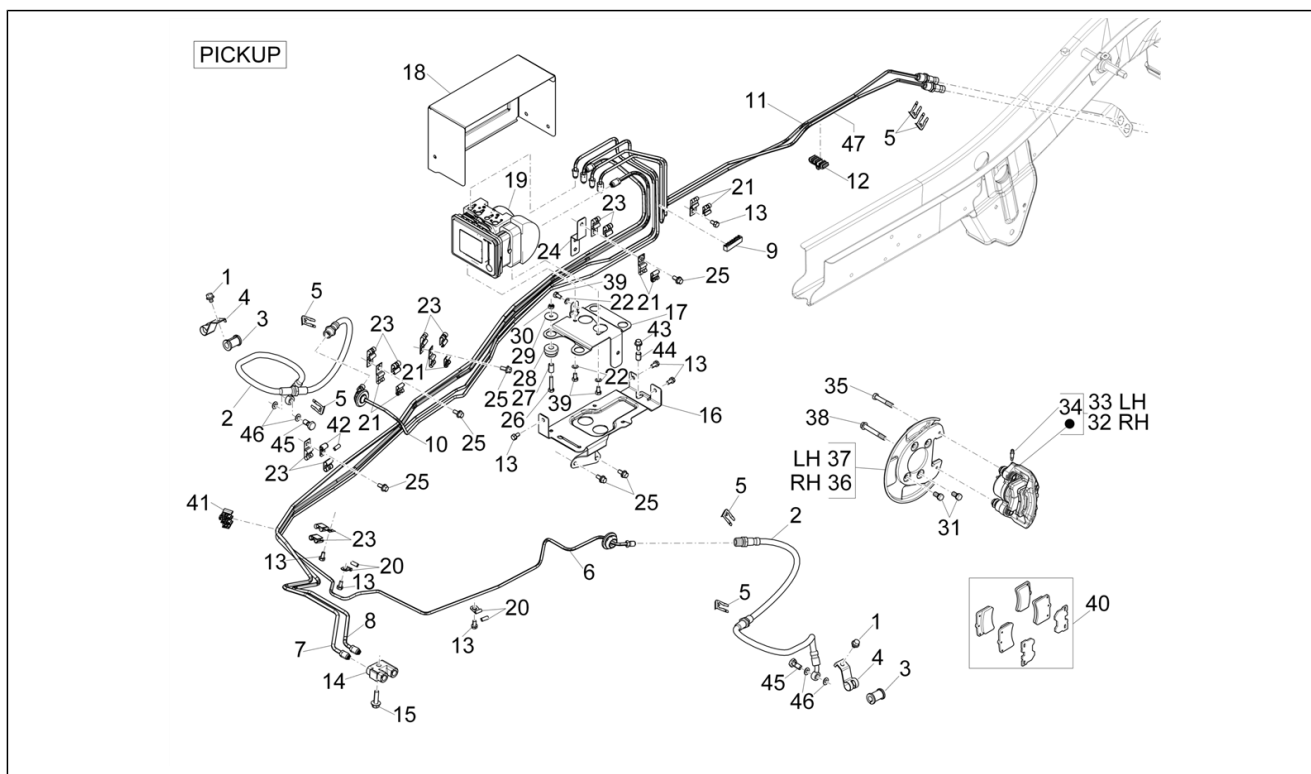
Pos.	Code	Beschreibung	Menge	Varianten
28	624456	Distanzscheibe	3	
29	016406	Federring 6,4x11,8x1	3	
30	016667	Unterlegscheibe	3	
31	D9004480596	Gummi	3	
32	031086	Schraube M6x12	3	
33	006976	Sprengscheibe 12x6,4x0,5	3	
34	1E002510	Steuergerät HECU - ESC	1	
34	1E002244	Steuergerät HECU - ESC ABS	1	
36	D9161160816	Flanschschraube	2	
37	D9004119494	Flanschschraube	8	
38	658278	Vorderradbremzange r.	1	
39	658279	Vorderradbremzange l.	1	
40	837145	Schraube	1	
41	837144	Verschuß entlüfter	1	
42	4770387Z01000	Staubschutzscheibe vorne rechts	1	
43	4770487Z01000	Staubschutzring vorne links	1	
44	9004101534000	Schraubbolzen	2	
45	837146	Bremsklötze	1	

Einheit	Bremsanlage - Bowdenzüge
Code	05.03
Beschreibung	Bremschläuchen - Bremszangen II
Inspektion	1



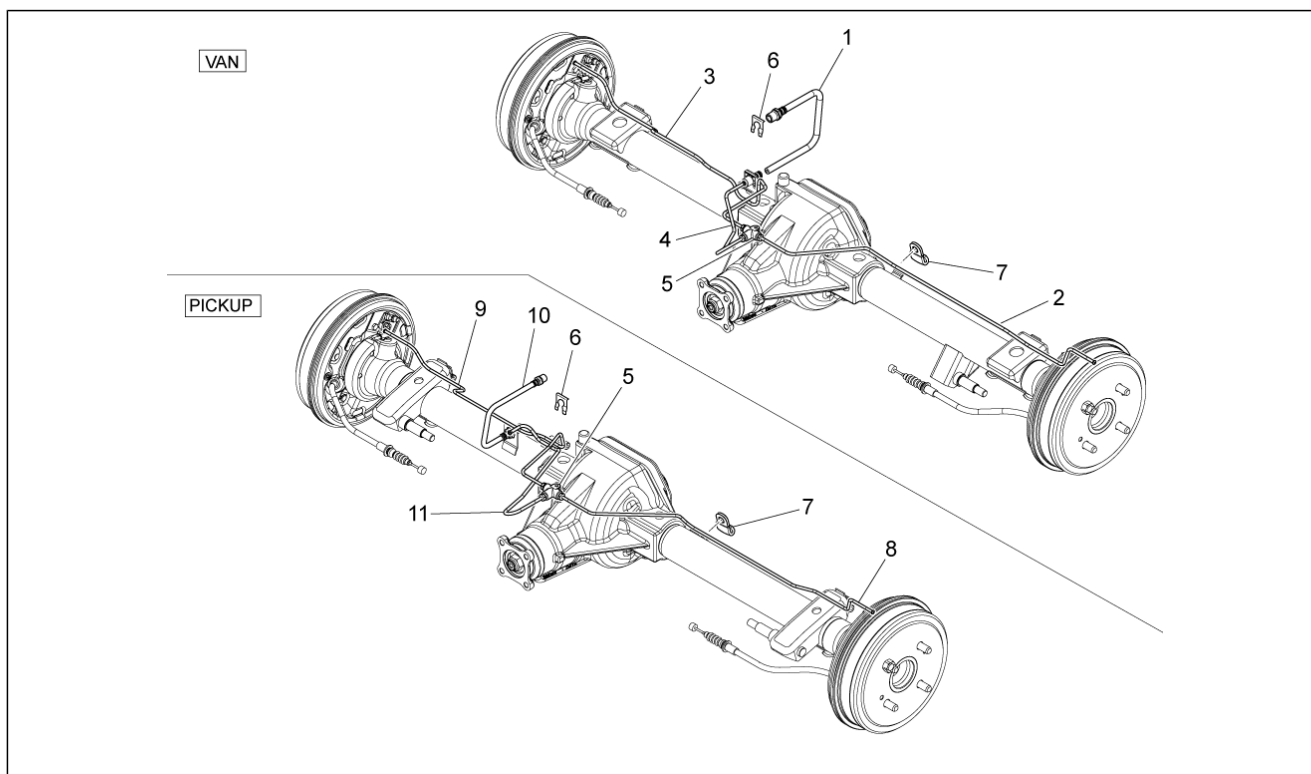
Pos.	Code	Beschreibung	Menge	Varianten
1	D9165160610	Flanschschraube	2	
2	B007247	Vorderradbremseleitung	2	
3	D9004540022	Puffer	2	
4	D9004461432	Schelle	2	
5	B005354	Kleine Feder	6	
6	1E000909	Bremsleitung HECU-ABS/flex. Leitung vorne links	1	
7	1E000903	Bremsleitung vorne 4-Wege / HECU ESC	1	
8	1E000900	Bremsleitung hinten 4-Wege / HECU ESC	1	
9	B005360	Sperrfeder Leitungen	1	
10	1E000906	Bremsleitung HECU-ABS/flex. Leitung vorne rechts	1	
11	1E000913	Bremsleitung HECU-ABS/Flex. Leitung hinten rechts	1	
12	D9004464157	Kabelschelle	1	
13	9161160612000	Schraubbolzen	5	
14	1E001059	4-Wege-Anschluss	1	
15	D9165160830	Flanschschraube	1	
16	1E000890	Unterer Bügel HECU - ESC - CPI	1	
17	1E001442	Haltebügel HECU - ESC - CPI	1	
18	B000903	Schutz	1	
19	1E002510	Steuergerät HECU - ESC	1	
19	1E002244	Steuergerät HECU - ESC ABS	1	
20	D9622130705	Schelle	2	
21	D9004461468	Schelle	3	
22	006976	Sprengscheibe 12x6,4x0,5	3	
23	1E001060	Schelle	4	
24	B007026	Bügel	1	
25	D9165140616	Sechskantschraube	3	
26	030052	Schraube	4	
27	1E000977	Distanzscheibe	4	

Einheit	Bremsanlage - Bowdenzüge
Code	05.03
Beschreibung	Bremschläuchen - Bremszangen II
Inspektion	1



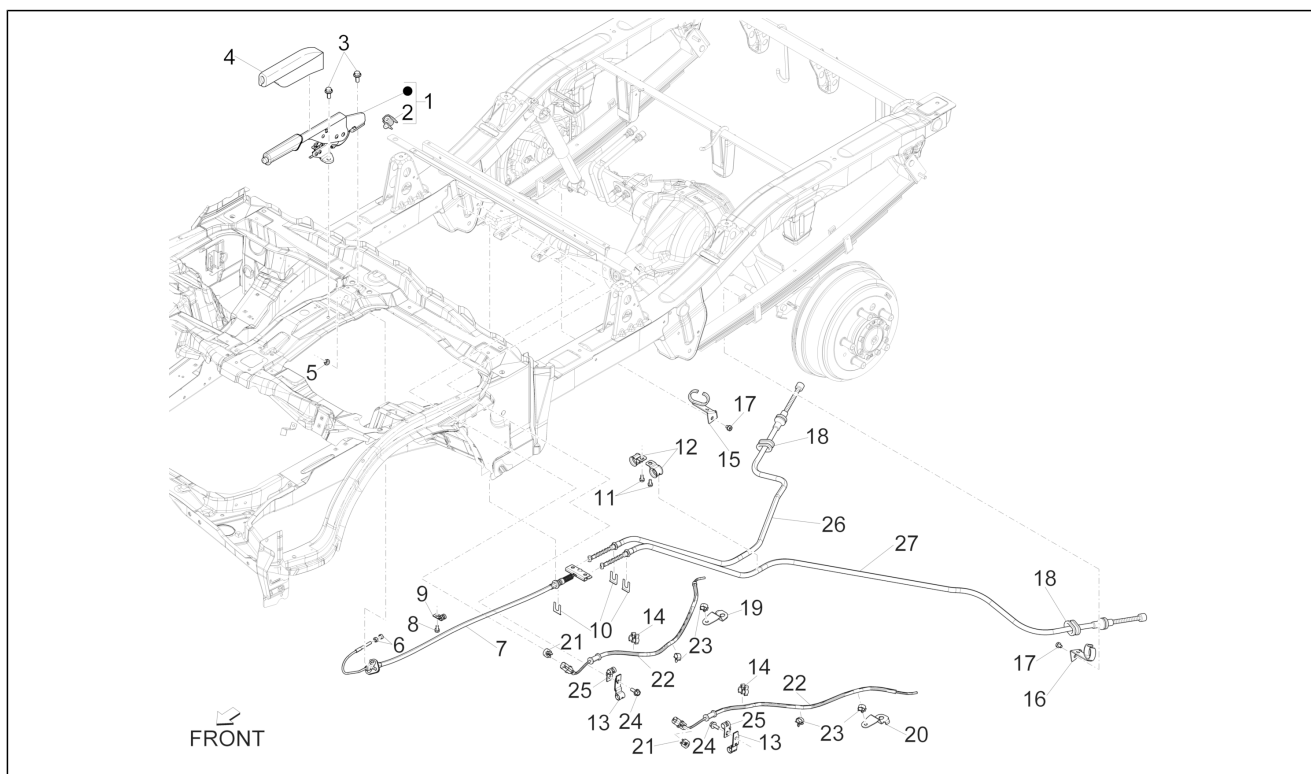
Pos.	Code	Beschreibung	Menge	Varianten
28	1E000976	Puffer	4	
29	016667	Unterlegscheibe	4	
30	709116	Mutter	4	
31	D9004119494	Flanschschraube	8	
32	658278	Vorderradbremzange r.	1	
33	658279	Vorderradbremzange l.	1	
34	837145	Schraube	1	
35	9004101534000	Schraubbolzen	2	
36	4770387Z01000	Staubschutzscheibe vorne rechts	1	
37	4770487Z01000	Staubschutzring vorne links	1	
38	9004101534000	Schraubbolzen	2	
39	031086	Schraube M6x12	1	
40	837146	Bremsklötze	1	
41	1E001087	Kleine Feder	1	
42	1E001061	Schelle	1	
43	D9165140616	Sechskantschraube	1	
44	615909	Gewinde-Einsatz	1	
45	264454	Schraubbolzen	2	
46	9004430236000	Dichtung	4	
47	1E000916		1	

Einheit	Bremsanlage - Bowdenzüge
Code	05.04
Beschreibung	Bremsleitungen Hinterradbremse
Inspektion	1



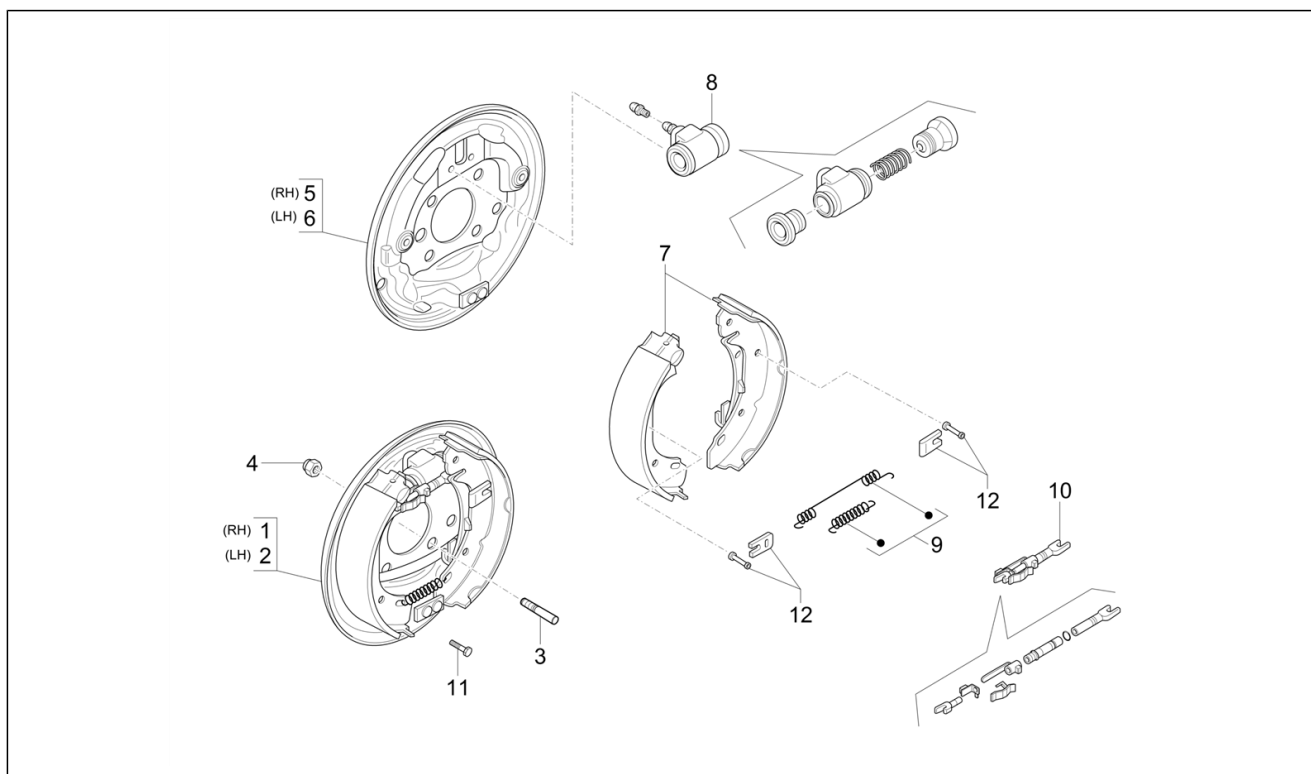
Pos.	Code	Beschreibung	Menge	Varianten
1	9004922167000	Hintere flexible leitung	1	
2	837166	Bremsleitung Hinterradbremse	1	
3	837170	Bremsleitung Hinterradbremse	1	
4	837164	Bremsleitung Hinterradbremse	1	
5	837169	Anschluss	1	
6	4737187Z02000	Rohrbefestigung	1	
7	4737187Z01000	Schelle	1	
8	837167	Bremsleitung Hinterradbremse	1	
9	837168	Bremsleitung Hinterradbremse	1	
10	9004922166000	Bremsschlauch	1	
11	837165	Bremsleitung Hinterradbremse	1	

Einheit	Bremsanlage - Bowdenzüge
Code	05.06
Beschreibung	Feststellbremse
Inspektion	1



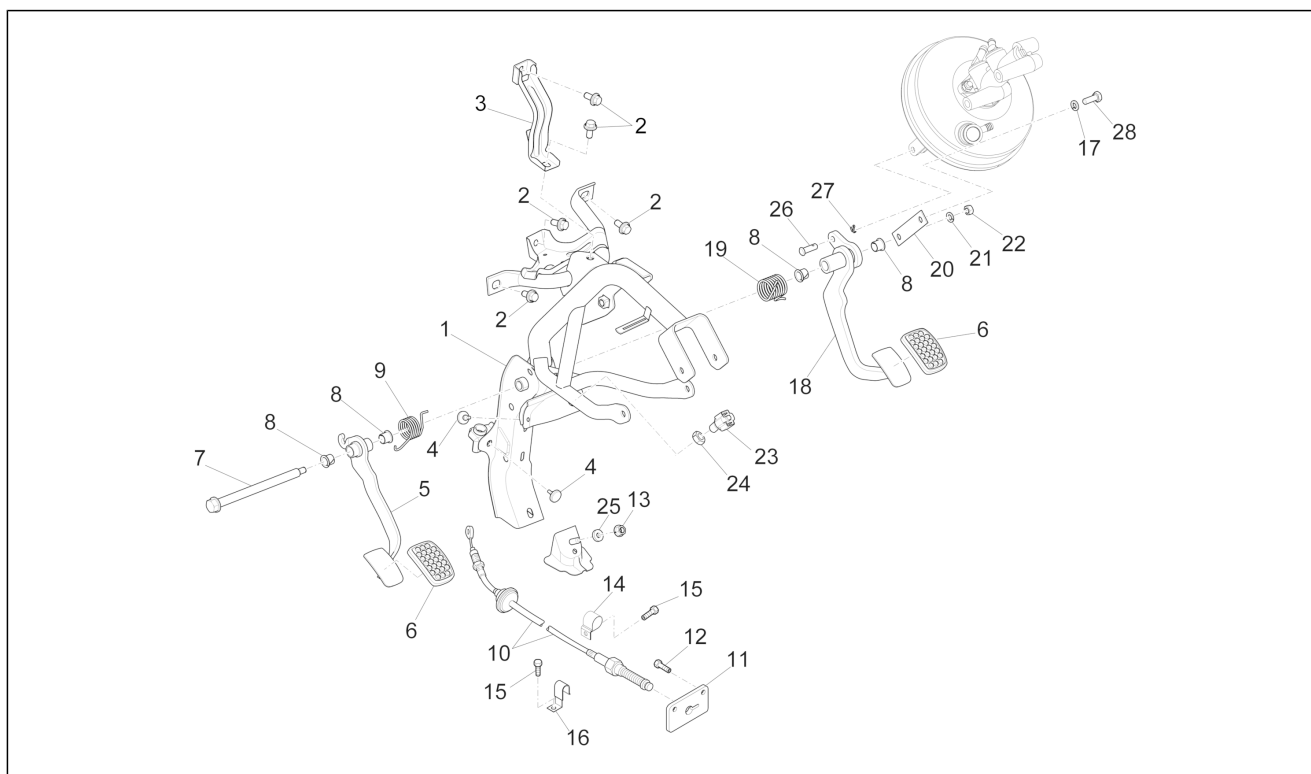
Pos.	Code	Beschreibung	Menge	Varianten
1	1E002476	Feststellbremsenhebel	1	
2	651928	Schalter	1	
3	D9165160822	Sechskantschraube	2	
4	615091	Staubschutz	1	
5	261322	Mutter	2	
6	D9411040600	Mutter	2	
7	B000875	Feststellbremsenzug	1	
8	9161160612000	Schraubbolzen	1	
9	B005030	Schelle	1	
10	9004465038000	Schelle	3	
11	9161160612000	Schraubbolzen	2	
12	644286	Schelle	2	
13	B005352	Schelle	2	
14	B005867	Kleine Feder	2	
15	B005350	Kabelhalterung hinten rechts	1	
16	B005351	Kabelhalterung hinten links	1	
17	D9338116008	TBEI Schraube	2	
18	B000810	Gummi	2	
19	1E001446	Haltebügel ABS-Kabel rechts	1	
20	1E001516	Haltebügel ABS-Kabel links	1	
21	B005629	Molletta	2	
22	B000526	Hinterer ABS-Sensor	2	
23	191002	Kleine Feder	4	
24	D9165160618	Flanschschraube	2	
25	B005030	Schelle	2	
26	B004542	Bremsseil hintere feststellbremse d	2	
27	B004540	Bremsseil hintere feststellbremse s	1	

Einheit	Bremsanlage - Bowdenzüge
Code	05.07
Beschreibung	Bremsbackensätzen
Inspektion	1



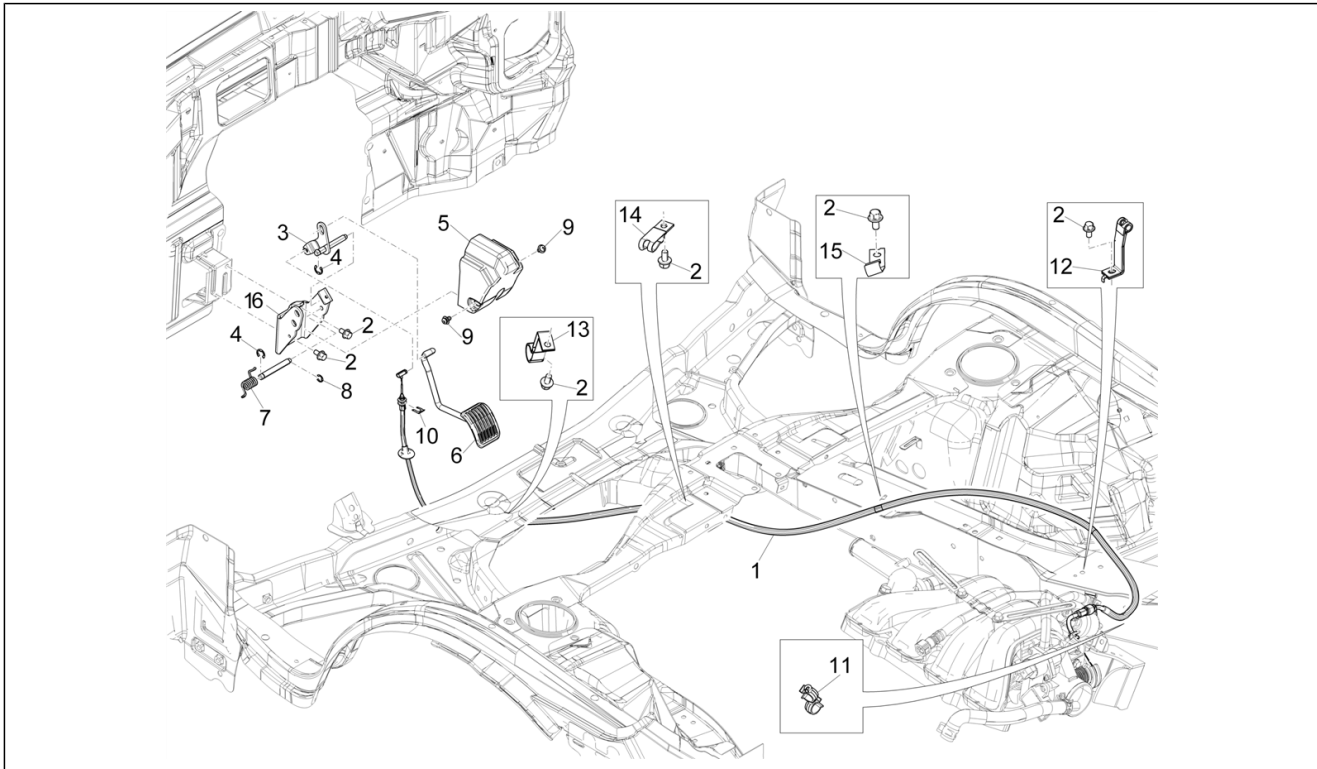
Pos.	Code	Beschreibung	Menge	Varianten
1	658992	Hinterradbremse rechts	1	
2	658991	Hinterradbremse links	1	
3	837160	Stiftschraube	8	
4	837138	Mutter	8	
5	837183	L.Bremszangenhalter	1	
6	837184	R.Bremszangenhalter	1	
7	837185	Bremsbackensatz, hinterrad	2	
8	837186	Kit Bremszylinder	2	
9	837182	Satz Federn	2	
10	837181	Selbstregler set	2	
11	837224	Spezialschraube	2	
12	4744687Z01000	Federplättchen	4	

Einheit	Bremsanlage - Bowdenzüge
Code	05.08
Beschreibung	Steuerpedal - Hebeln
Inspektion	1



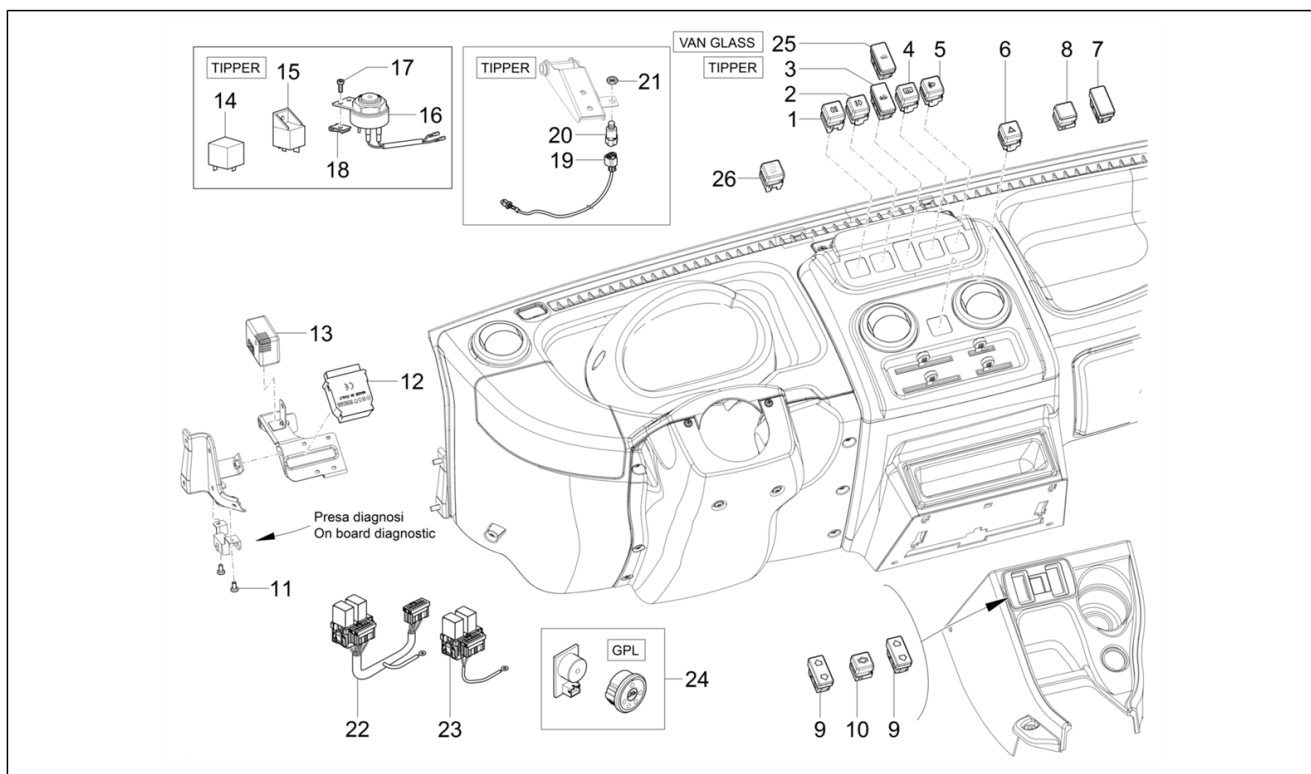
Pos.	Code	Beschreibung	Menge	Varianten
1	1E001222	Halterung Pedale	1	
2	D9165160820	Sechskantschraube	5	
3	B000485	Not available	1	
4	9004540166000	Anschlag kupplungspedal	2	
5	3130187Z07000	Kupplungspedal	1	
6	262128	Pedalbezug	2	
7	3132487Z02000	Welle kupplungspedal	1	
8	9004386115000	Buchse	4	
9	9004508350000	Feder Kupplungspedal	1	
10	CM256203	Kupplungszug komplett	1	
11	B005687	Antriebsplatte	1	
12	9161160614000	Schraubbolzen	2	
13	D9004179052	Mutter	1	
14	D9004461193	Schelle	1	
15	D9165140616	Sechskantschraube	2	
16	D9004461432	Schelle	1	
17	016408	Sprengscheibe 13,75x8,15x4,5	1	
18	B000468	Bremspedal	1	
19	9004508351000	Rückholfeder bremspedal	1	
20	3132587Z01000	Feststellplättchen pedalstange	1	
21	D9453100800	Unterlegscheibe	1	
22	D9411040800	Mutter	1	
23	B023289	Bremslichtschalter	1	
24	196750	Mutter	1	
25	D9461410800	Flachscheibe	1	
26	9004240142000	Hebelbolzen	1	
27	003208	Splint	1	
28	031119	Sechskantschraube M8x22	1	

Einheit	Bremsanlage - Bowdenzüge
Code	05.09
Beschreibung	Gaspedal
Inspektion	1



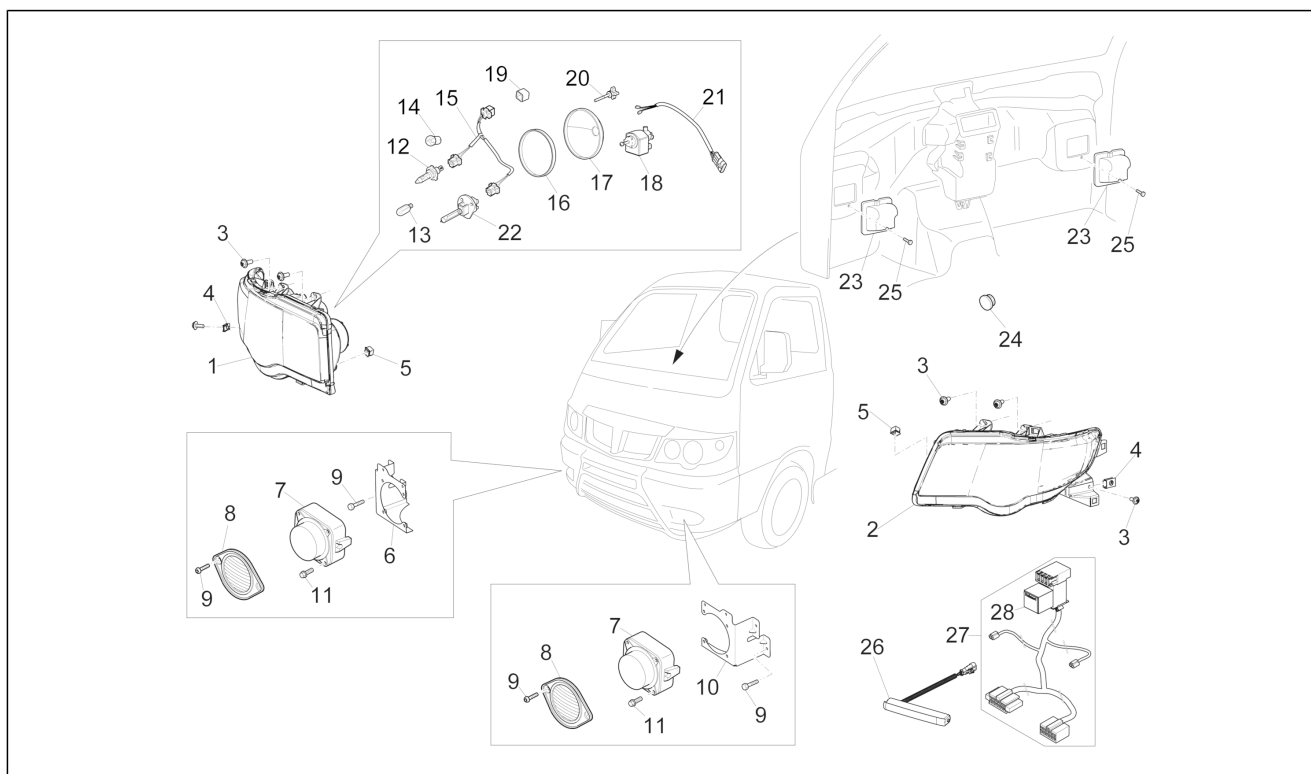
Pos.	Code	Beschreibung	Menge	Varianten
1	1E001626	Gaszug kompl.	1	
2	D9165140614	Sechskantschraube	6	
3	7801387Z01000	Gashebel	1	
4	9616000800000	Sprengring 16x8	1	
5	7811987Z01000	Deckel	1	
6	7810187Z01000	Gaspedal	1	
7	9004508227000	Feder	1	
8	005964	Ring	1	
9	9004159431000	Flanschschrabe	2	
10	7818787Z01000	Schelle	1	
11	1E001596	Drehklammer	1	
12	B007136	Schelle	1	
13	D9004461423	Schelle	1	
14	9004461420000	Schelle	1	
15	9004462324000	Schelle	1	
16	7801187Z01000	Gaspedalträger	1	

Einheit	Elektrische Anlage
Code	06.01
Beschreibung	Wechselschalter - Umschalter - Druckschalter - Schalter
Inspektion	1



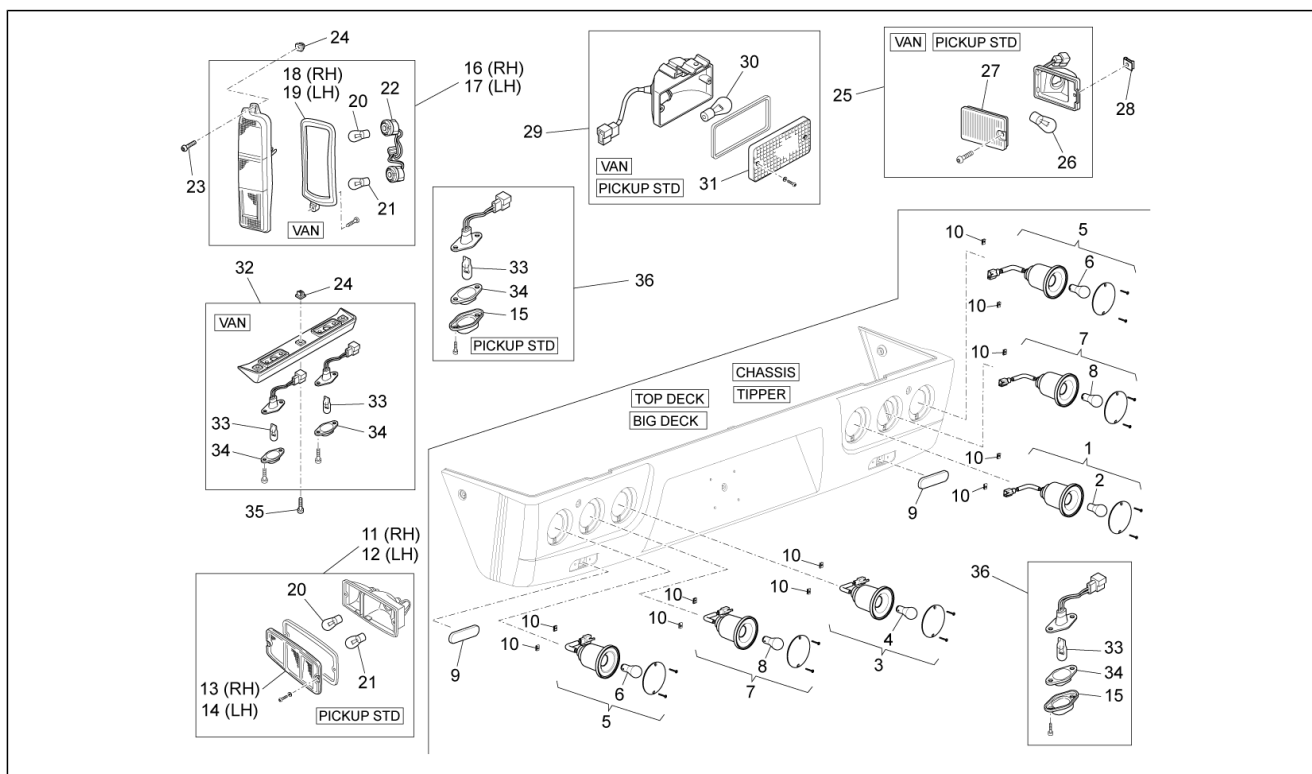
Pos.	Code	Beschreibung	Menge	Varianten
1	B007883	Taste Nebelschlussleuchte	1	
2	B007882	Taste Nebelscheinwerfer	1	
3	B007890	Taste für Kipper	1	
4	B004272	Schalter abtuananlage	1	
5	B007884	Einstelltaste Scheinwerfer	1	
6	B007881	Schalter Warnblinklicht	1	
7	B004723	Rechteckiger Deckel	2	
8	B004278	Quadratischer Deckel	3	
9	B007889	Taste Fensterheber	1	
10	B007885	Taste Klimaanlage	1	
11	018575	Schraube M5x10	2	
12	B005700	Zeitschalter	1	
13	B005027	Blinken	1	
14	615392	Blinken	1	
15	58115R	Anlasser-Fernrelais 12V-80A	1	
16	231284	Akust. kontrollampe	1	
17	009000	Schraube 2,9x13	2	
18	CM017408	Platte	2	
19	B005906	Stützen	1	
20	1D001075	Endschalter	1	
21	196750	Mutter	1	
22	1D001574	Kabel Euro 6	1	
23	1D001575	Kabel Euro 6	1	
24	659730	Umschalter und Summer	1	
25	1D001651	Taste Child Lock	1	
26	1D002025	Schalter ESC OFF	1	

Einheit	Elektrische Anlage
Code	06.02
Beschreibung	Vorderleuchten - Blinkleuchten
Inspektion	1



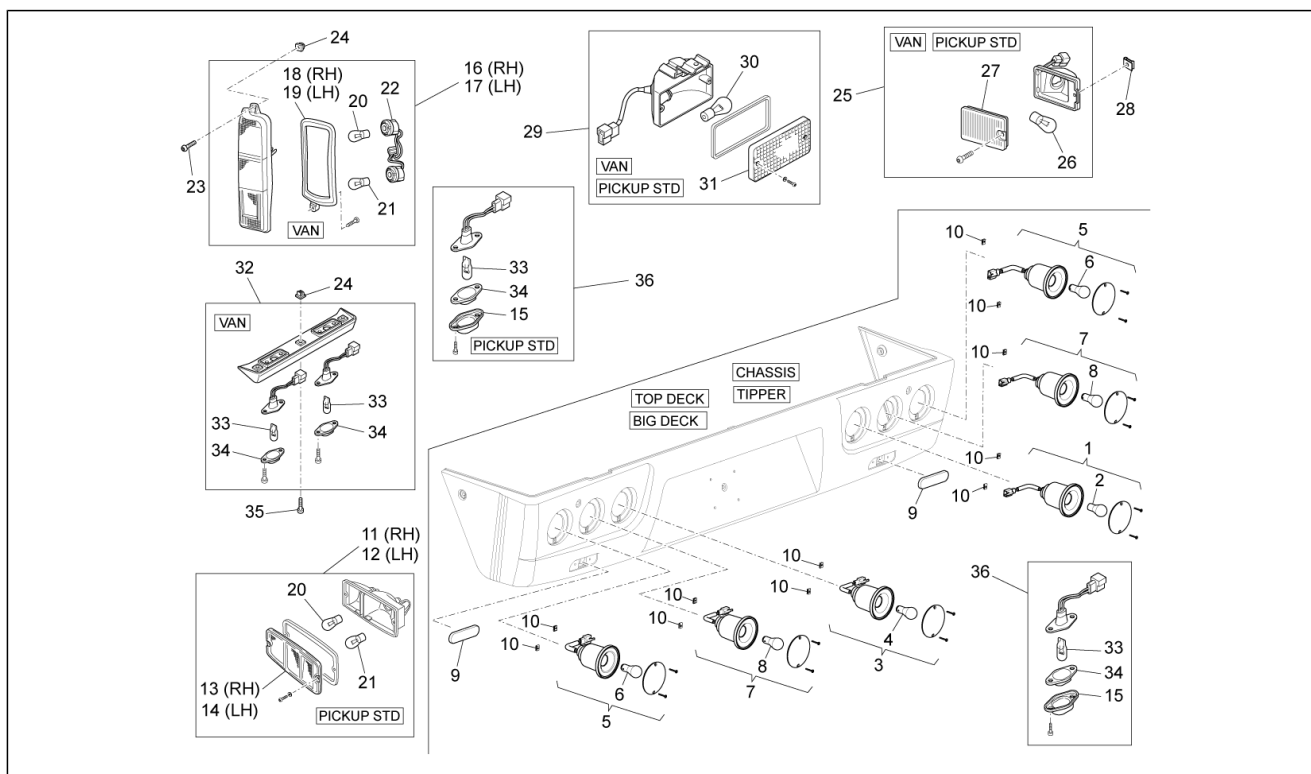
Pos.	Code	Beschreibung	Menge	Varianten
1	658970	Scheinwerfer rechts	1	
2	658971	Scheinwerfer links	1	
3	9004159230000	Schraubbolzen	6	
4	248419	Federplättchen M5	2	
5	566260	Verankerungseinheit scheinwerfer	2	
6	B000937	Rechtes bügel	1	
7	651886	Nebelscheinwerfer	2	
8	566568	Schutzgrill	2	
9	D9356755014	Sechskantschraube	4	
10	B000843	Linkes bügel	1	
11	D9331515010	Flanschschraube	8	
12	294353	Lampen H7 12V-55W	2	
13	292022	Lampen 12V-5W	2	
14	584004	Lampen 12V-21W (Ambra)	2	
15	B004809	Verbinder	2	
16	B004810	Dichtung	2	
17	B004811	Verschlusschraube	2	
18	B004730	Stellmotor Scheinwerfer	2	
19	B004807	Verschlusschraube	2	
20	B004806	Scheinwferereinstell griff	2	
21	B004808	Kabelbaum Scheinwerfer	2	
22	580141	Lampen H1 12V-55W	2	
23	B000979	Deckel Inspektionsbohrung	2	
24	9004871138000	Deckel 20	2	
25	9004159230000	Schraubbolzen	2	
26	1D000776	LED-Scheinwerfer für DRL	1	
27	1D000790	Federbügel Zubehör	1	
28	643452	Mikrorelais mit Widerstand 12V-30A/10A	1	

Einheit	Elektrische Anlage
Code	06.03
Beschreibung	Hinterleuchten - Blinkleuchten
Inspektion	1



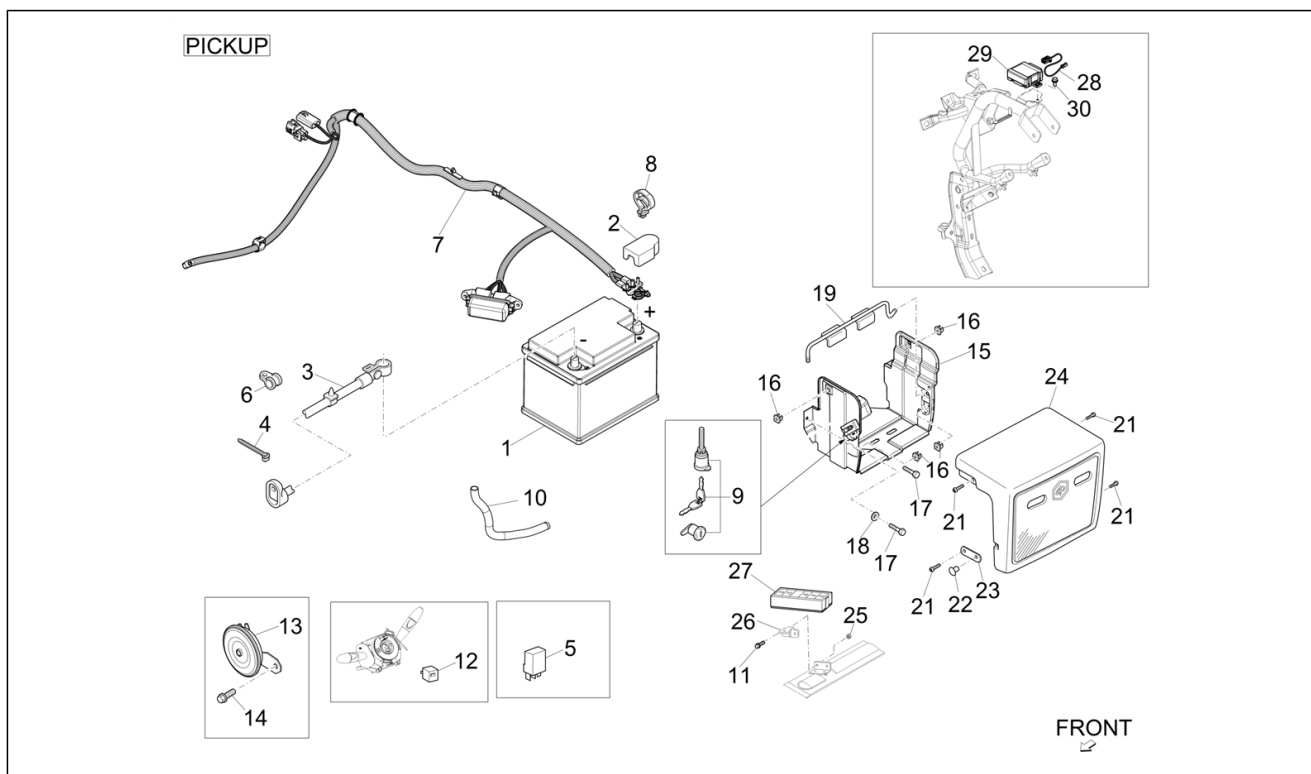
Pos.	Code	Beschreibung	Menge	Varianten
1	613820	Rückfahrscheinwerfer	1	
2	160654	Lampen 12V-21W	1	
3	B000970	Nebellicht	1	
4	B004243	Lampen 12V-21W	1	
5	B000968	Rücklicht/bremslicht	2	
6	640753	Lampen 12V-5/21W	1	
7	B000969	Rücklicht - Blinker	2	
8	584004	Lampen 12V-21W (Ambra)	1	
9	58233R	Rückstrahler hinten	1	
10	CM017401	Platte	12	
11	8155087Z01000	Rechtes Rücklicht	1	
12	8156087Z01000	Linkes rücklicht	1	
13	8155187Z01000	Glas rechts	1	
14	8156187Z01000	Glas links	1	
15	8127887Z01000	Abdeckung nummernschildöffnung	1	
16	8155087Z02000	Rechtes Rücklicht	1	
17	8156087Z02000	Linkes rücklicht	1	
18	8155487Z03000	Rechte dichtung	1	
19	8156487Z01000	Linke dichtung	1	
20	9913211210000	Lampen	1	
21	9913221210000	Lampen	1	
22	8175587Z02000	Lampenhalter	1	
23	D9351055030	Verschuß	2	
24	9004189023000	Langloch für Schraube	3	
25	8167087Z01000	Rückfahrscheinwerfer	1	
26	9913211210000	Lampen	1	
27	8167187Z01000	Scheibe	1	
28	9004183050000	Mutter	1	

Einheit	Elektrische Anlage
Code	06.03
Beschreibung	Hinterleuchten - Blinkleuchten
Inspektion	1



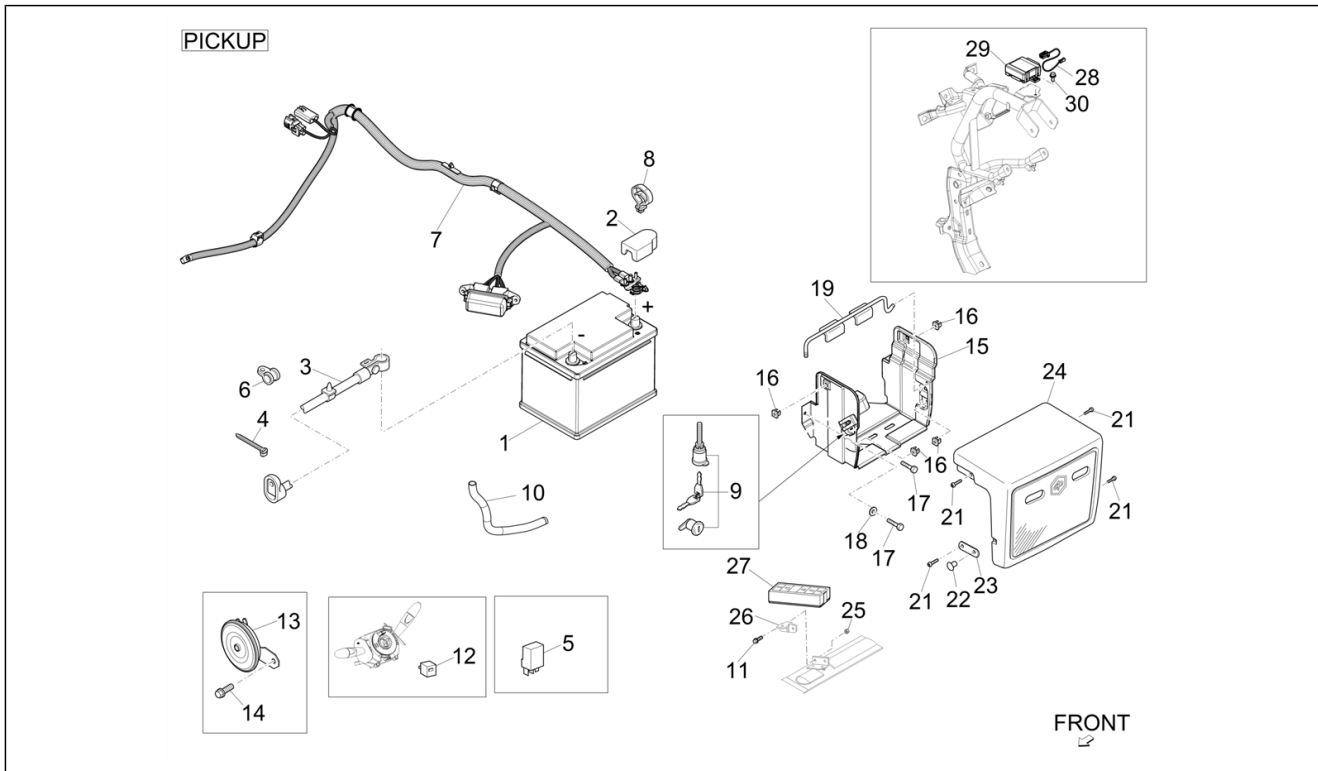
Pos.	Code	Beschreibung	Menge	Varianten
29	8157087Z01000	Nebelschlußleuchte	1	
30	9913211210000	Lampen	1	
31	8121187Z01000	Scheibe	1	
32	8127087Z02000	Nummernschildbeleuchtung	1	
33	9913212050000	Lampen	2	
34	8127187Z01000	Abdeckung nummernschildbeleuchtung	1	
35	9356715016000	Schraube	3	
36	8127087Z01000	Nummernschildbeleuchtung	2	

Einheit	Elektrische Anlage
Code	06.04
Beschreibung	Fernschalteren - Batterie - Hupe
Inspektion	1



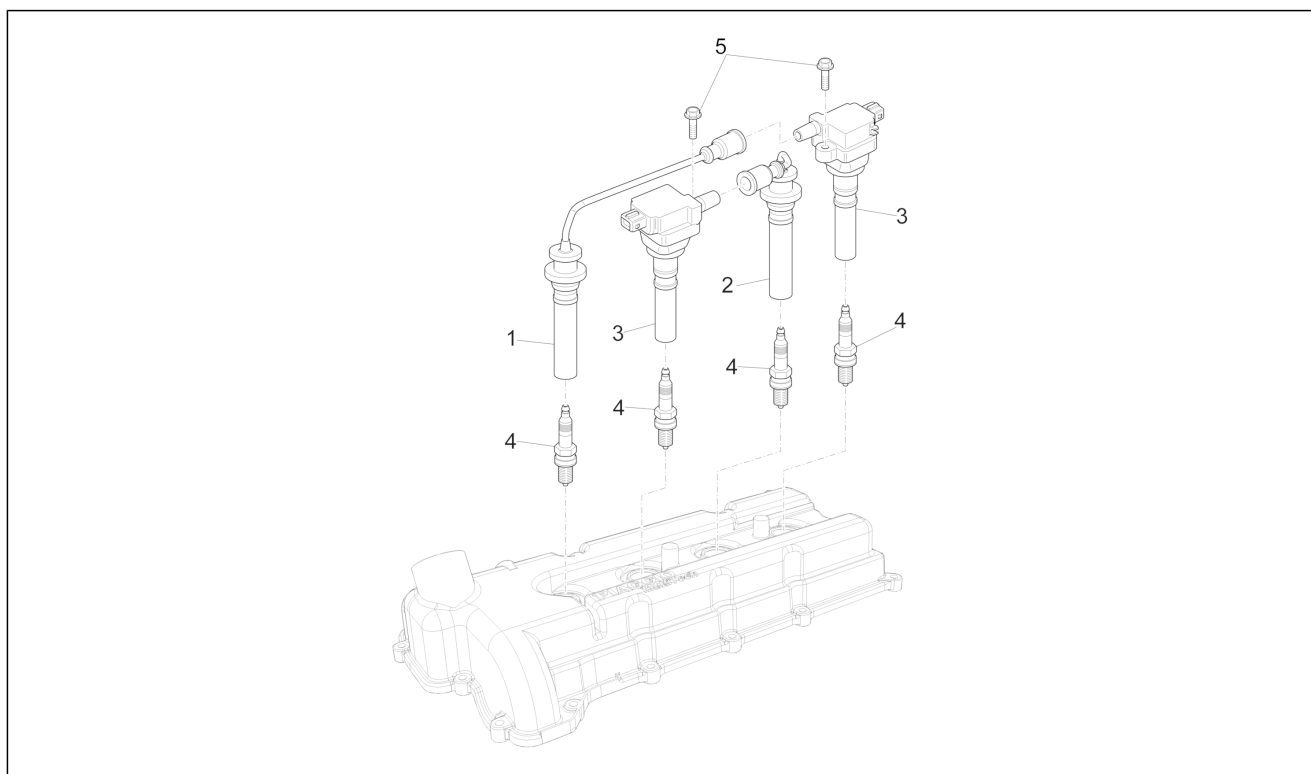
Pos.	Code	Beschreibung	Menge	Varianten
1	600699M	Batterie 12V-55Ah	1	
2	580188	Kappe Batteriepluspol	1	
3	641458	Negativkabel	1	
4	257134	Reißselle L=277 mm	1	
5	B007353	Fernschalter A727 12V-30A 702.50 46520422	1	
6	644286	Schelle	1	
7	1D000942	Kabelbaum	1	
7	1D000943	Hinterer Kabelbaum Batterie Van	1	
8	D9004464482	Schelle	1	
9	613839	Kit Diebstahlschutz für Reserverad	1	
10	645581	Entlüftungsschlauch Kühler	1	
11	D9165140620	Flanschschraube	2	
12	493997	Relais Blinkgeber	1	
13	660522	Akustischer Signalgeber	1	
14	D9161140814	Schraube + Scheibe	1	
15	2628375	Batteriehalter	1	
16	9004189001000	Spreizdübel	4	
17	D9165140614	Sechskantschraube	3	
18	9004208030000	Unterlegscheibe	2	
19	B0259535	Befestigungshaken Batterie	1	
21	9356055012000	Schraube	4	
22	263750	Schelle	1	
23	263740	Halter	1	
24	262836	Batteriedeckel	1	
25	620356	Mutter	2	
26	B005119	Haltebügel	1	
27	B004583	Bügel Sicherungshalter	1	
28	1D001294	Antennenkabel Wegfahrsperr	1	

Einheit	Elektrische Anlage
Code	06.04
Beschreibung	Fernschaltern - Batterie - Hupe
Inspektion	1



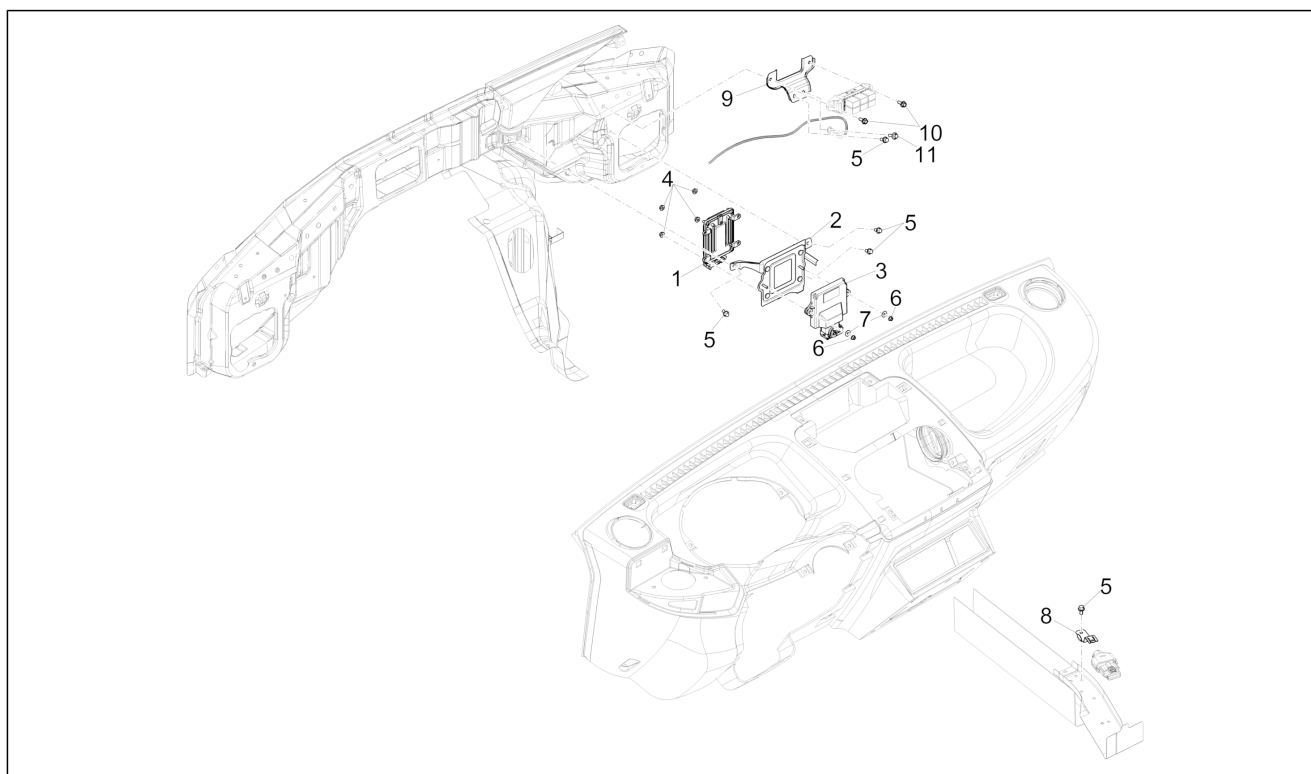
Pos.	Code	Beschreibung	Menge	Varianten
29	1D001190	Decoder für Wegfahrsperre	1	
30	D9165140616	Sechskantschraube	1	

Einheit	Elektrische Anlage
Code	06.05
Beschreibung	Spannungsreglerern - Zündspule
Inspektion	1



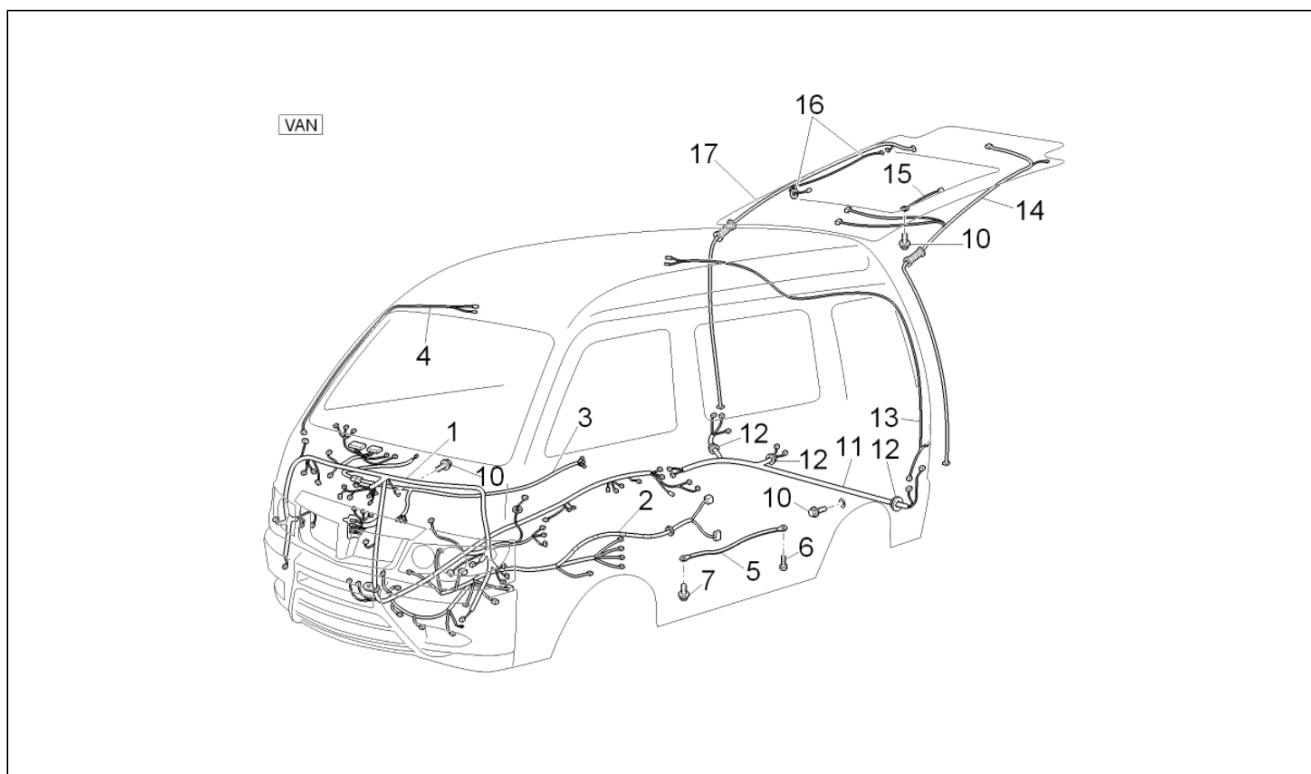
Pos.	Code	Beschreibung	Menge	Varianten
1	CM279501	Zündspulenkabel komplett L=185 mm	1	
2	CM279502	Zündspulenkabel komplett L=32 mm	1	
3	1A005644	Zuendtransform.cpl.	1	
4	1A005645	Zündkerze	1	
5	B010073	Sechskantschraube M6x25	1	

Einheit	Elektrische Anlage
Code	06.06
Beschreibung	Steuerelektroniken - Sensoren
Inspektion	1



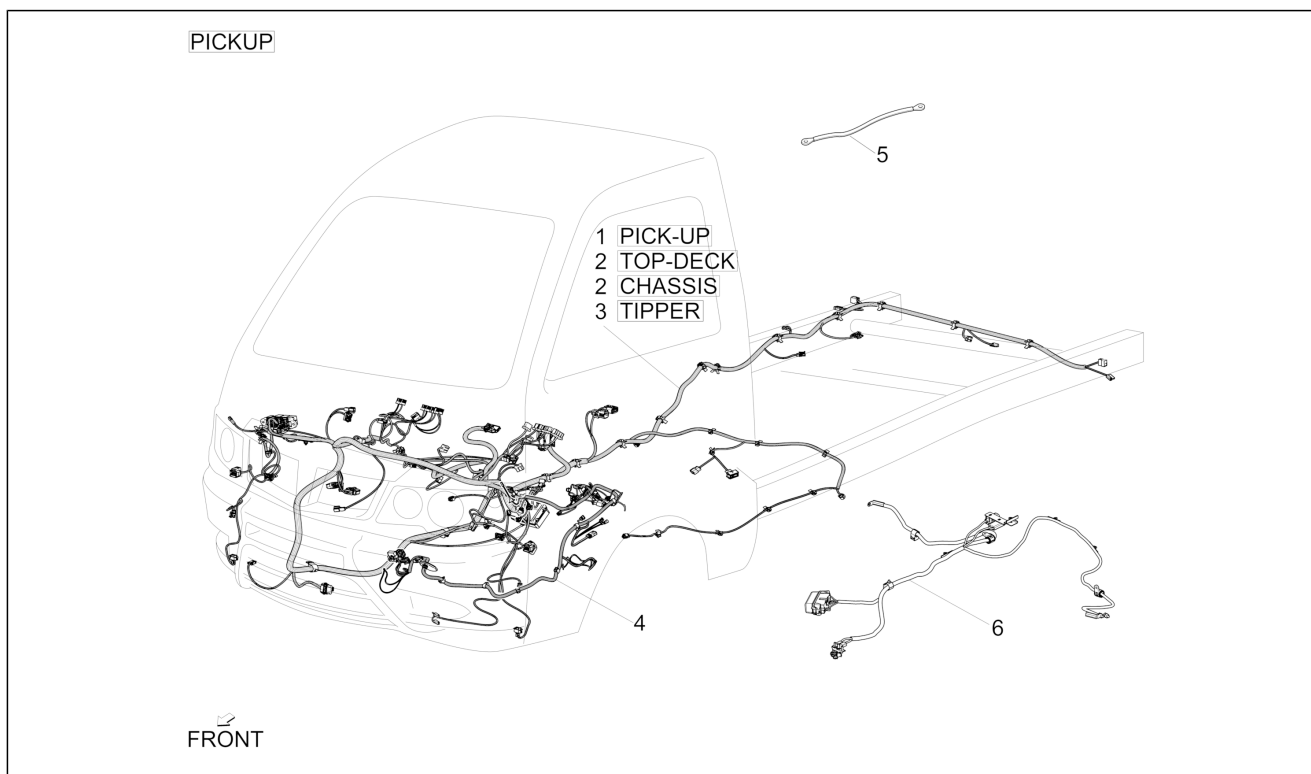
Pos.	Code	Beschreibung	Menge	Varianten
1	1D000970	Elektronisches Einspritzsteuergerät	1	
2	1E001140	Haltebügel Steuergerät mit Innenteilen	1	
3	1D000720	Steuergerät EXI	1	
3	1A012100	Steuergerät EXI	1	Modell: Für gem. Norm Euro 6 C zugelassene Modelle[E6-C]
3	CM272701	Einspritz-Zünderlektronik	1	Modell: Für Modelle mit LPG[GPL]
3	CM272702	Einspritz-Zünderlektronik	1	Modell: Für Modelle mit Erdgasversorgung[CNG]
3	CM301901	Einspritz-Zünderlektronik	1	Modell: Für gem. Norm Euro 6 C zugelassene Modelle[E6-C] Für Modelle mit LPG[GPL]
3	CM301902	Einspritz-Zünderlektronik	1	Modell: Für gem. Norm Euro 6 C zugelassene Modelle[E6-C] Für Modelle mit Erdgasversorgung[CNG]
4	261322	Mutter	4	
5	D9165140616	Sechskantschraube	3	
6	241937	Mutter, selbstsichernd M5	2	
7	013754	Unterlegscheibe	2	
8	1E001206	Haltebügel Kabelstecker	1	
9	1E001159	Haltebügel Relais	1	
10	D9165160618	Flanschschraube	2	
11	031089	Sechskantschraube M6x18	1	

Einheit	Elektrische Anlage
Code	06.07
Beschreibung	Hauptkabelbaum
Inspektion	1



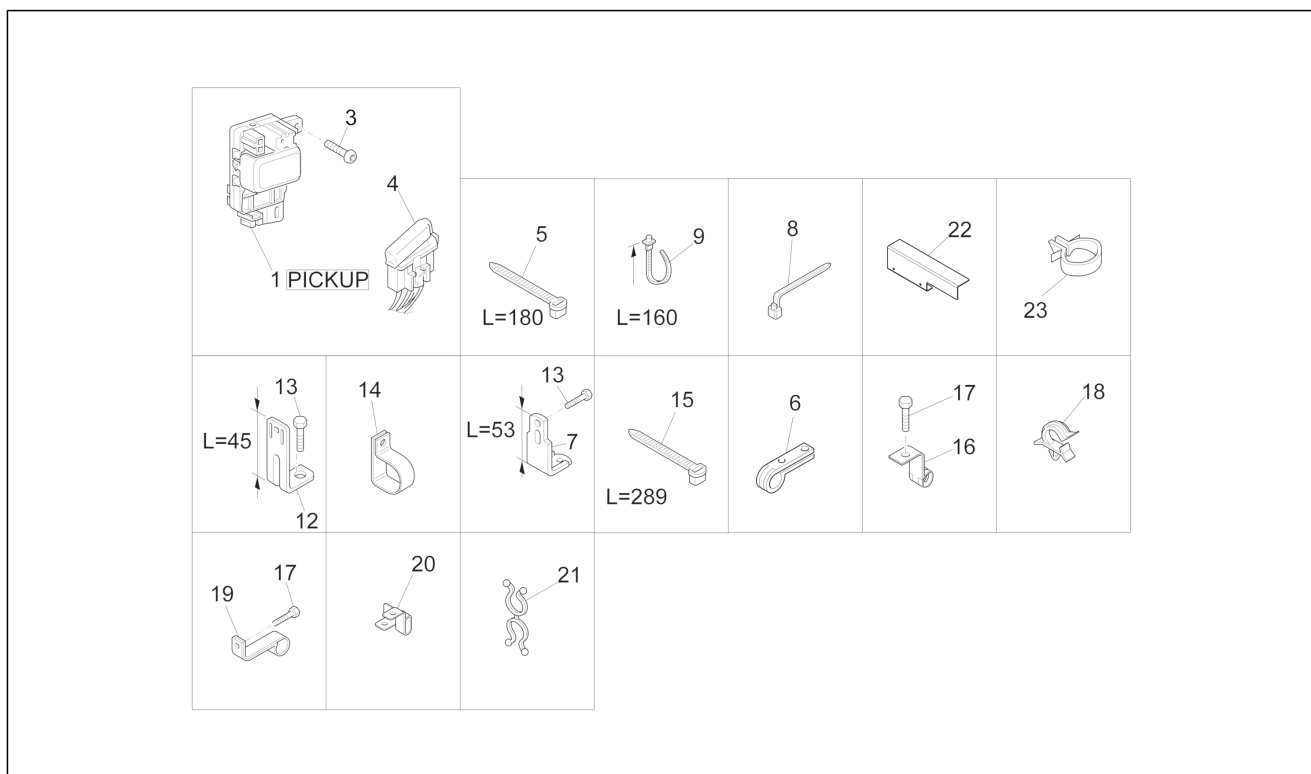
Pos.	Code	Beschreibung	Menge	Varianten
1	1D000812	Hauptelektroanlage VAN	1	
1	1D001976	Hauptelektroanlage VAN	1	
2	B005233	Motor Kabel	1	
3	1D000790	Federbügel Zubehör	1	
3	B004467	Federbügel Zubehör	1	
4	B004364	Federbügel Innenraumbeleuchtung	1	
5	615485	Massekabel	1	
6	D9004119554	Schraubbolzen mit Unterlegscheibe	1	
7	D9165140616	Sechskantschraube	1	
10	9004119450000	Schraubbolzen	3	
11	B004521	Verkabelung Klappe hinten	1	
12	9004480161000	Kabelführung	3	
13	8217287Z01000	Verkabelung Klappe hinten	1	
14	B004604	Verkabelung Klappe hinten	1	
15	1D000797	Kabelbaum Rücklicht Van	1	
15	8218787Z01000	Kabelbaum Rücklicht Van	1	
16	8218687Z01000	Kabel	1	
17	B004520	Verkabelung Klappe hinten	1	

Einheit	Elektrische Anlage
Code	06.08
Beschreibung	Hauptkabelbaum II
Inspektion	1



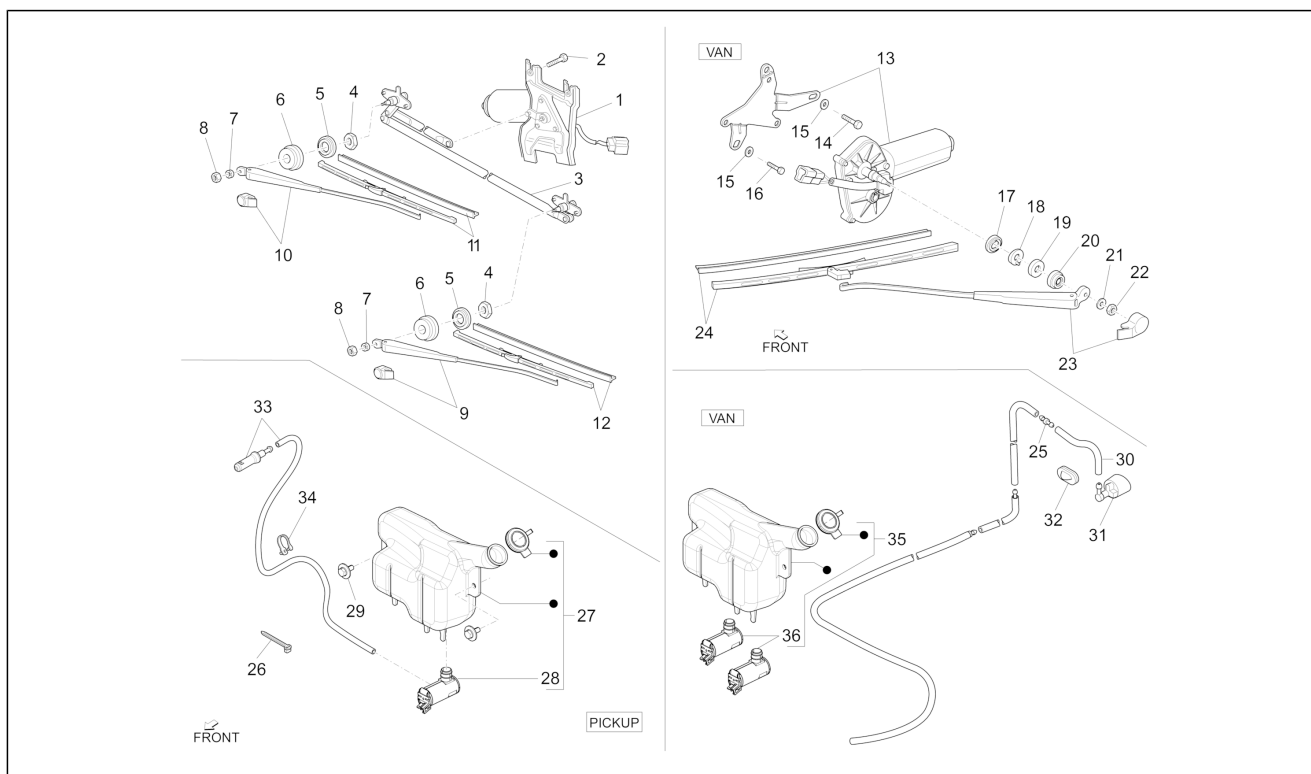
Pos.	Code	Beschreibung	Menge	Varianten
1	1D001973	Hauptelektroanlage PICK	1	
1	1D001627	Hauptelektroanlage CHASSIS und TOP-DECK Extra, OPT	1	
1	1D000808	Hauptelektroanlage PICK	1	
2	1D001974	Hauptelektroanlage TOP-DECK	1	
2	1D000810	Hauptelektroanlage TOP-DECK	1	
3	1D001979	Hauptelektroanlage TIPPER LPG	1	
3	1D001975	Hauptelektroanlage TIPPER	1	
3	1D000811	Hauptelektroanlage TIPPER	1	
4	1E000359	Motorkabelbaum MT EU6	1	
4	1D001633	Motorverkabelung MT EU6 CHASSIS UND TOP-DECK Extra, OPT	1	
5	615484	Massekabel	1	
6	1D000945	Pluskabel Batterie	1	
7	1D001304	Kabelbaum Erdgasanlage	1	
7	1D001692	Kabelbaum Erdgasanlage	1	
8	1D001539	Flüssiggasverkabelung	1	

Einheit	Elektrische Anlage
Code	06.09
Beschreibung	Bauteile elektrische Anlage
Inspektion	1



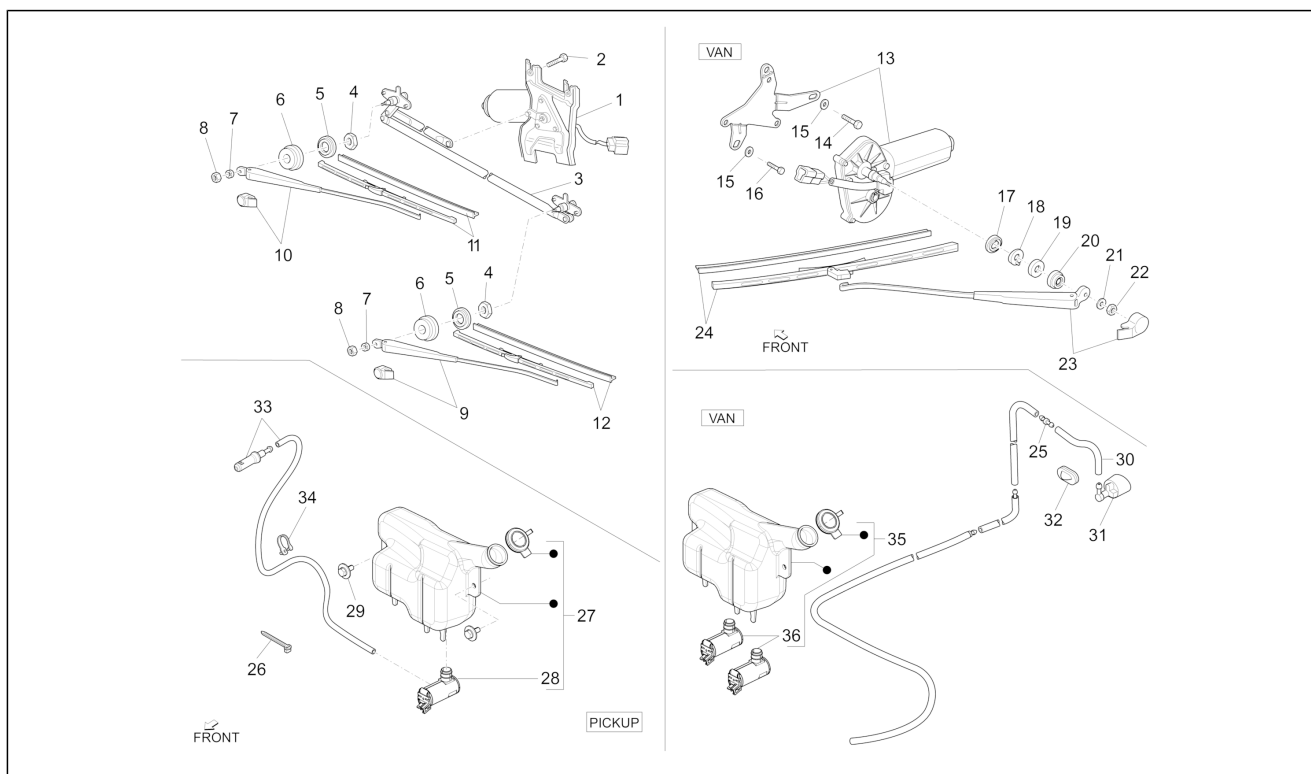
Pos.	Code	Beschreibung	Menge	Varianten
1	8260087538000	Sicherungseinheit komplett	1	
3	D9338315020	Schraube + Scheibe	2	
4	8261087510000	Sicherungshalter	1	
5	145298	Reißschelle L=180 mm	6	
6	9004461420000	Schelle	3	
7	8271587204000	Schelle	1	
8	9004464484000	Schelle	1	
9	9004464190000	Schelle	2	
12	D8271587229	Bügel	1	
13	D9165140612	Sechskantschraube	2	
14	B004729	Schelle	1	
15	257134	Reißschelle L=277 mm	1	
16	D9004461389	Schelle	2	
17	D9165140616	Sechskantschraube	5	
18	D9004464092	Schelle	1	
19	566063	Bügel	2	
20	D9004461419	Schelle	1	
21	9004464240000	Schelle	1	
22	B004700	Halterbügel	1	
23	191002	Kleine Feder	4	

Einheit	Elektrische Anlage
Code	06.12
Beschreibung	Vorderer und hinterer Scheibenwischer
Inspektion	1



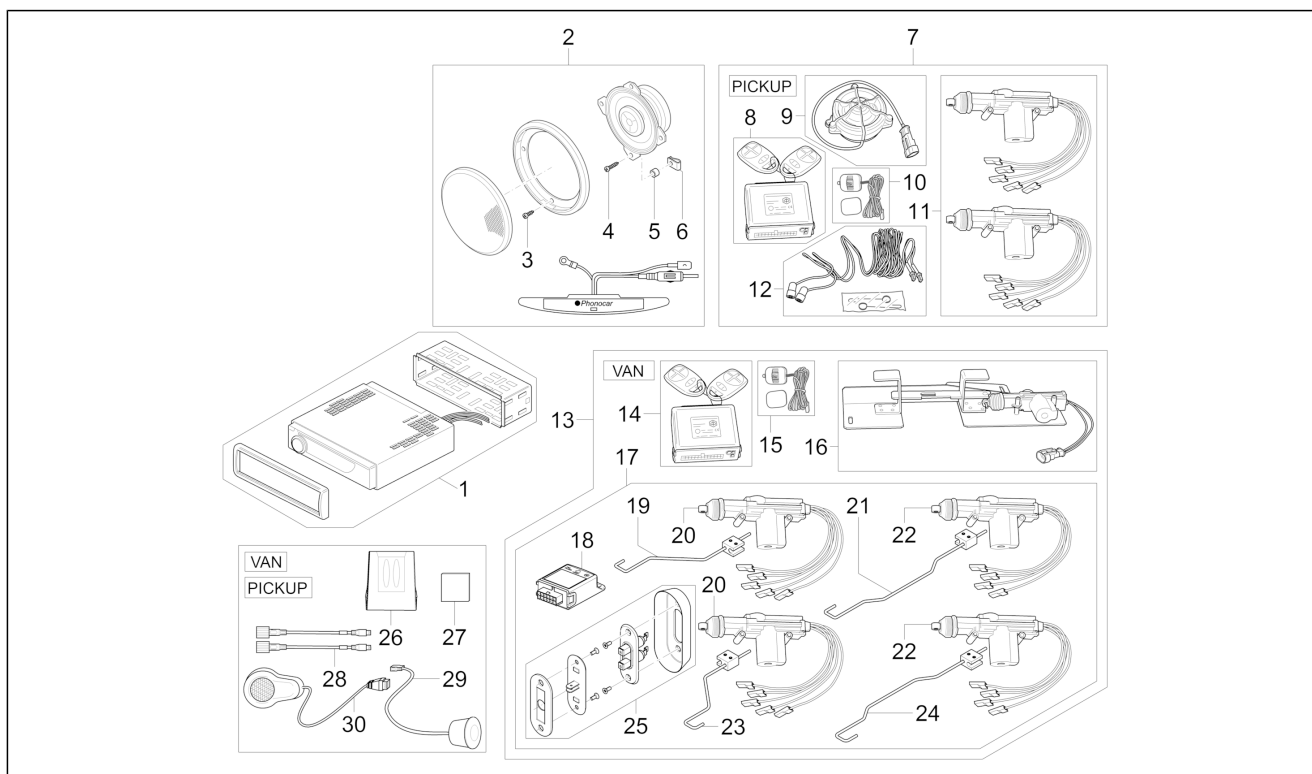
Pos.	Code	Beschreibung	Menge	Varianten
1	B006169	Scheibenwischermotor	1	
2	AP8150073	Sechskantschraube M6x30	4	
3	615895	Fensterheberantrieb	1	
4	645436	Mutter	2	
5	645435	Dichtung	2	
6	645434	Flachscheibe	2	
7	006968	Federring	2	
8	658842	selbstsp. Mutter M8	2	
9	660704	417 mm	1	
10	660705	441,5 mm	1	
11	615897	Wischblatt SX 410 mm	1	
12	615902	Wischblatt DX 380 mm	1	
13	B004603	Scheibenwischermotor rückfenster	2	
14	9165140614000	Schraubbolzen	2	
15	006175	Flachscheibe	3	
16	9004119260000	Schraubbolzen	2	
17	645932	Verschlusschraube	1	
18	645934	Äußerer Abstandhalter	1	
19	645933	Interner Abstandhalter	1	
20	645931	Becher	1	
21	006968	Federring	1	
22	645930	Sechskantmutter	1	
23	644535	Scheibenwischerarm rückfenster	1	
24	644536	Bürste	1	
25	8534987Z01000	Anschluß hintere scheibenwaschanla	1	
26	9004464484000	Schelle	1	
27	1E001186	Behälter scheibenwaschanlage	1	
28	B023318	Wasserpumpe Scheibenwischer	2	

Einheit	Elektrische Anlage
Code	06.12
Beschreibung	Vorderer und hinterer Scheibenwischer
Inspektion	1



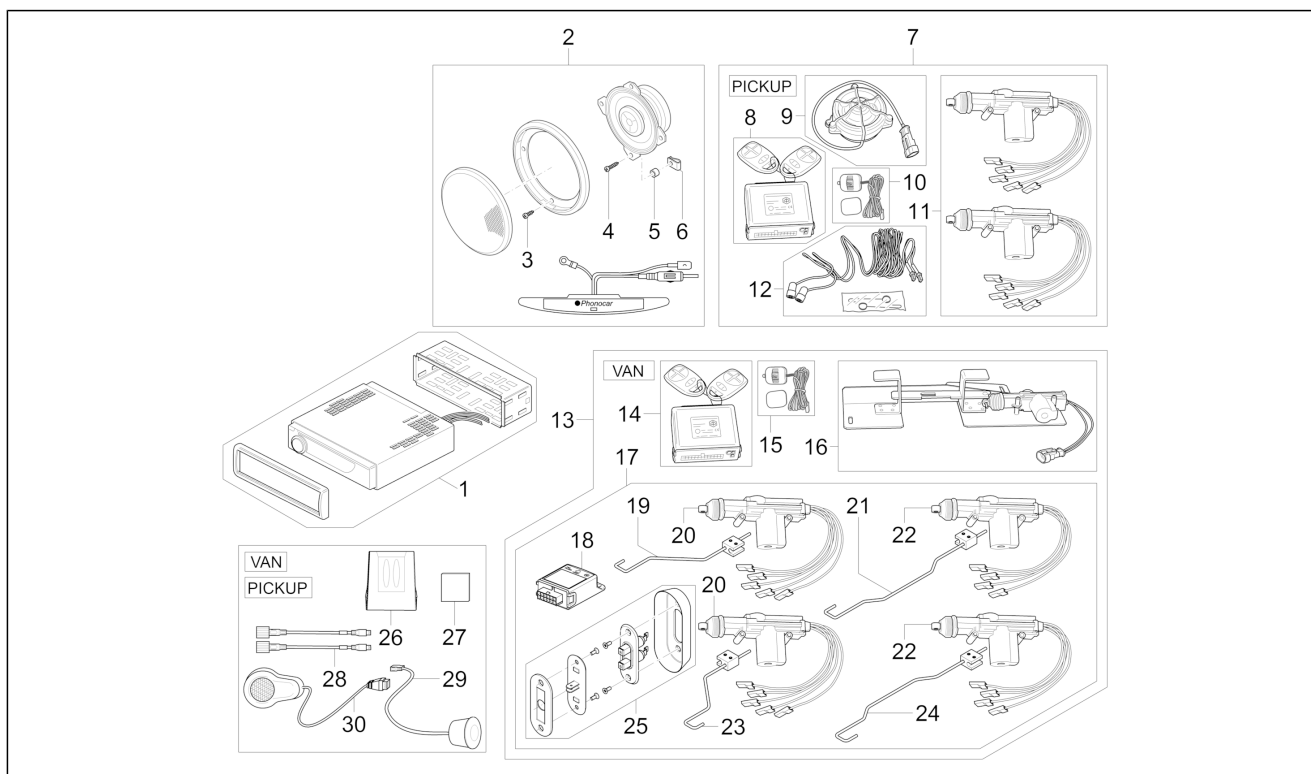
Pos.	Code	Beschreibung	Menge	Varianten
29	9004119260000	Schraubbolzen	2	
30	D8538087Z01	Rohr	1	
31	8503587Z01000	Hintere scheibenwaschanlage	1	
32	D9004480370	Kabelführung	1	
33	B004936	Wischwasserdüse	1	
34	D9004464072	Schelle	3	
35	1E001188	Behälter scheibenwaschanlage	1	
36	B023318	Wasserpumpe Scheibenwischer	2	

Einheit	Elektrische Anlage
Code	06.13
Beschreibung	Optional
Inspektion	1



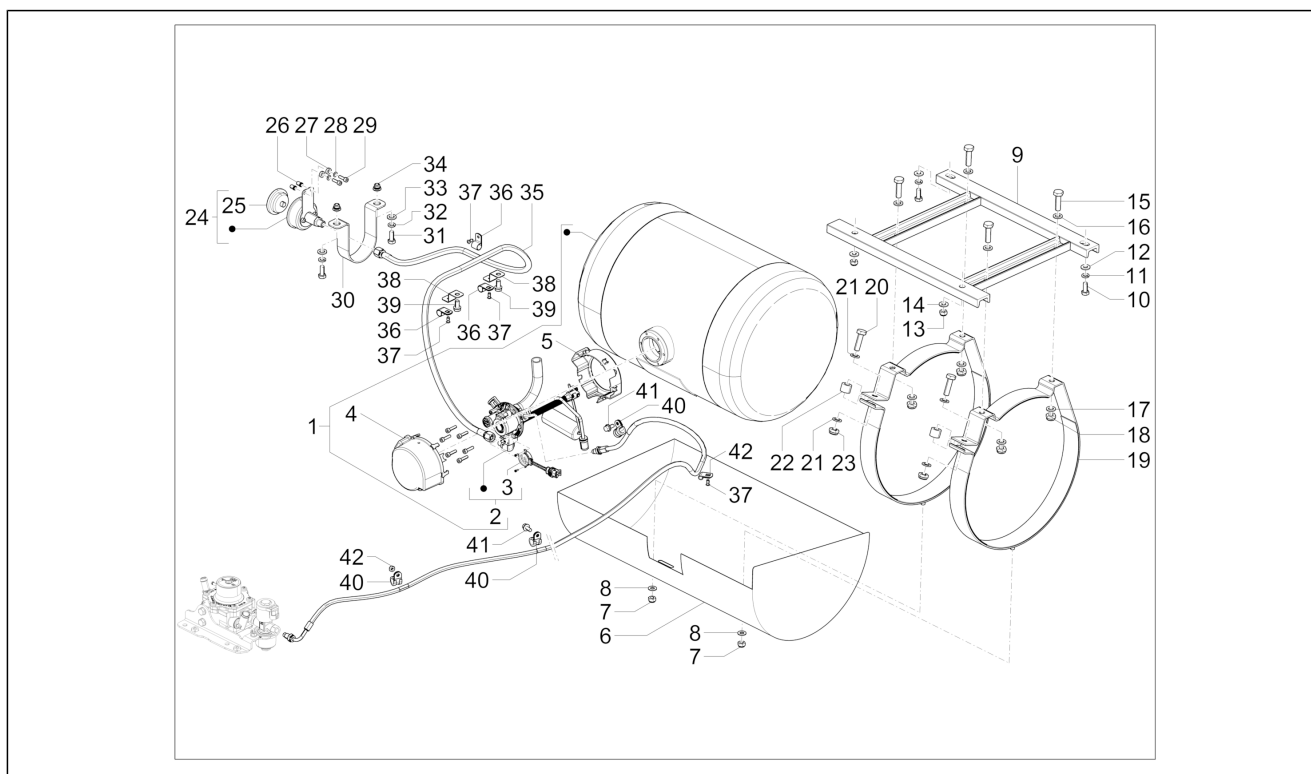
Pos.	Code	Beschreibung	Menge	Varianten
1	1D000736	Kit Autoradio	1	
2	B023206	Kit Lautsprecher und Antenne	1	
3	018536	Gew.schr. 3,5x13	8	
4	015994	Linsenschraube 3,5x19*	6	
5	623770	Distanzscheibe	6	
6	CM017405	Federplättchen	6	
7	B004450	Kit Zentralverriegelung und Diebstahlsicherung PICK LHD	1	
8	B005705	Steuergerät + 2 Fernbedienungen	1	
9	B004461	Siren	1	
10	B004463	Led	1	
11	B004464	Paar Stellvorrichtungen	1	
12	B025105	Paar Halter Messwertgeber	1	
13	1D001682	Kit Zentralverriegelung und Diebstahlsicherung VAN LHD	1	
14	B005705	Steuergerät + 2 Fernbedienungen	1	
15	B004463	Led	1	
16	B004465	Platte	1	
17	1D001594	Kit Child Lock	1	
18	1D001592	Steuergerät Child Lock	1	
19	612817	Vordere Schubstange rechts	1	
20	612698	Stellvorrichtung vordere Türen	2	
21	612818	Hintere Schubstange rechts	1	
22	1D001593	Stellvorrichtung hintere Türen	2	
23	612709	Vordere Schubstange links	1	
24	612710	Schubstange hinten links	1	
25	6127065	Baugruppe Kontakte	1	
26	B025102	Steuergerät Aktivierung Sensoren	1	

Einheit	Elektrische Anlage
Code	06.13
Beschreibung	Optional
Inspektion	1



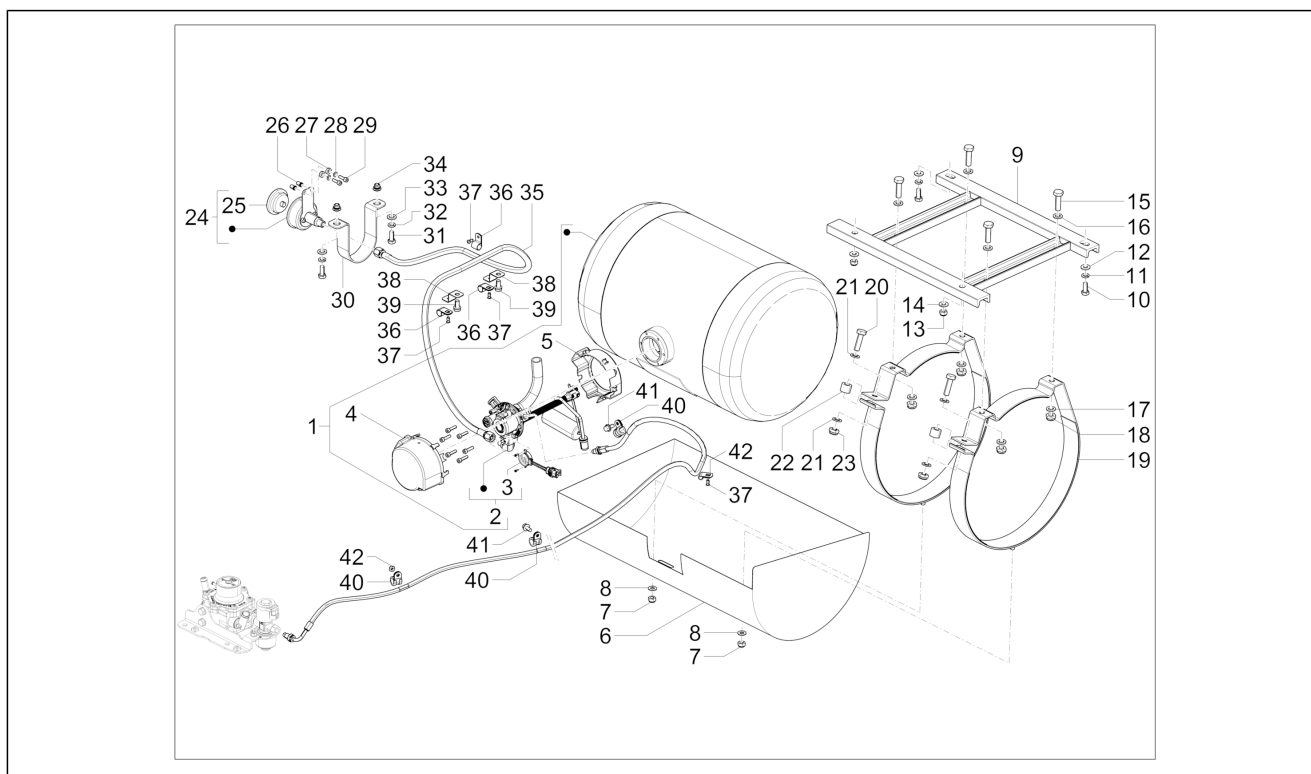
Pos.	Code	Beschreibung	Menge	Varianten
27	661042	Biadheseive	1	
28	B025106	Verkabelung Messwertgeber	2	
29	B025626	Paar Messwertgeber	2	
30	B025104	Warnsummer Parksensoren	1	

Einheit	LPG
Code	08.02
Beschreibung	Benzintank GPL (Van)
Inspektion	1



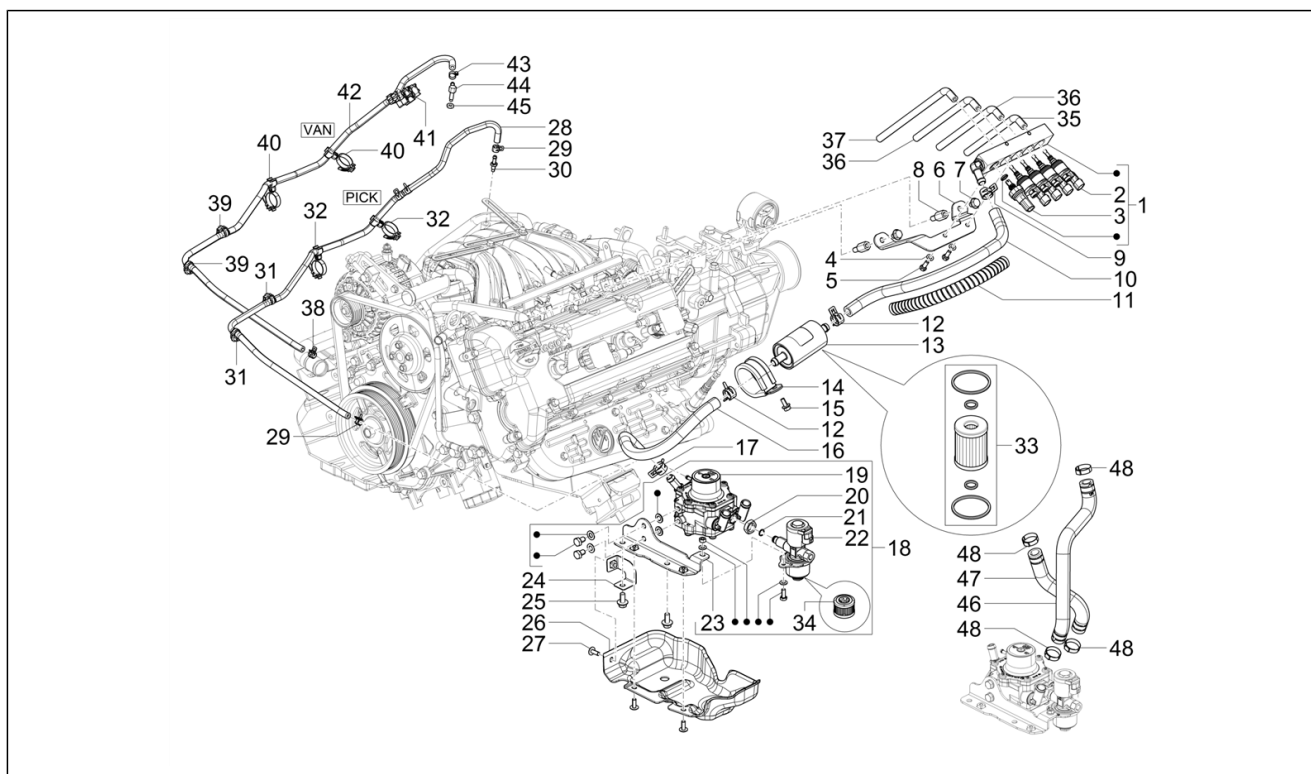
Pos.	Code	Beschreibung	Menge	Varianten
1	B005796	Kraftstofftank	1	
2	B005797	Schwimmer komplett	1	
3	661140	Widerstandsscheibe	1	
4	B005774	Schutzdeckel Mehrfachventil	1	
5	B005775	Schutzbasis Mehrfachventil	1	
6	660655	Tankschutz	1	
7	709052	Selbstsperr.mut Unt.	2	
8	013776	Unterlegscheibe	2	
9	1E001918	Rahmen Verankerung	1	
10	031118	Schraube M8x20	2	
11	016408	Sprengscheibe 13,75x8,15x4,5	2	
12	003038	Flachscheibe 8,4x18x2	2	
13	709052	Selbstsperr.mut Unt.	2	
14	003038	Flachscheibe 8,4x18x2	2	
15	031159	Schraube Efel	4	
16	003060	Flachscheibe	4	
17	003060	Flachscheibe	4	
18	002440	Mutter, selbstsichernd M10	4	
19	660665	Tankhalterung komplett	2	
20	031159	Schraube Efel	2	
21	003060	Flachscheibe	4	
22	B004105	Distanzscheibe	2	
23	002440	Mutter, selbstsichernd M10	2	
24	B005798	Füllstutzen	1	
25	659706	-leinfülldeckel	1	
26	660727	Geschnitten Kunststoffniet M5	2	
27	244585	Distanzscheibe	2	
28	003055	U.scheibe 5,4x10x0,8	2	

Einheit	LPG
Code	08.02
Beschreibung	Benzintank GPL (Van)
Inspektion	1



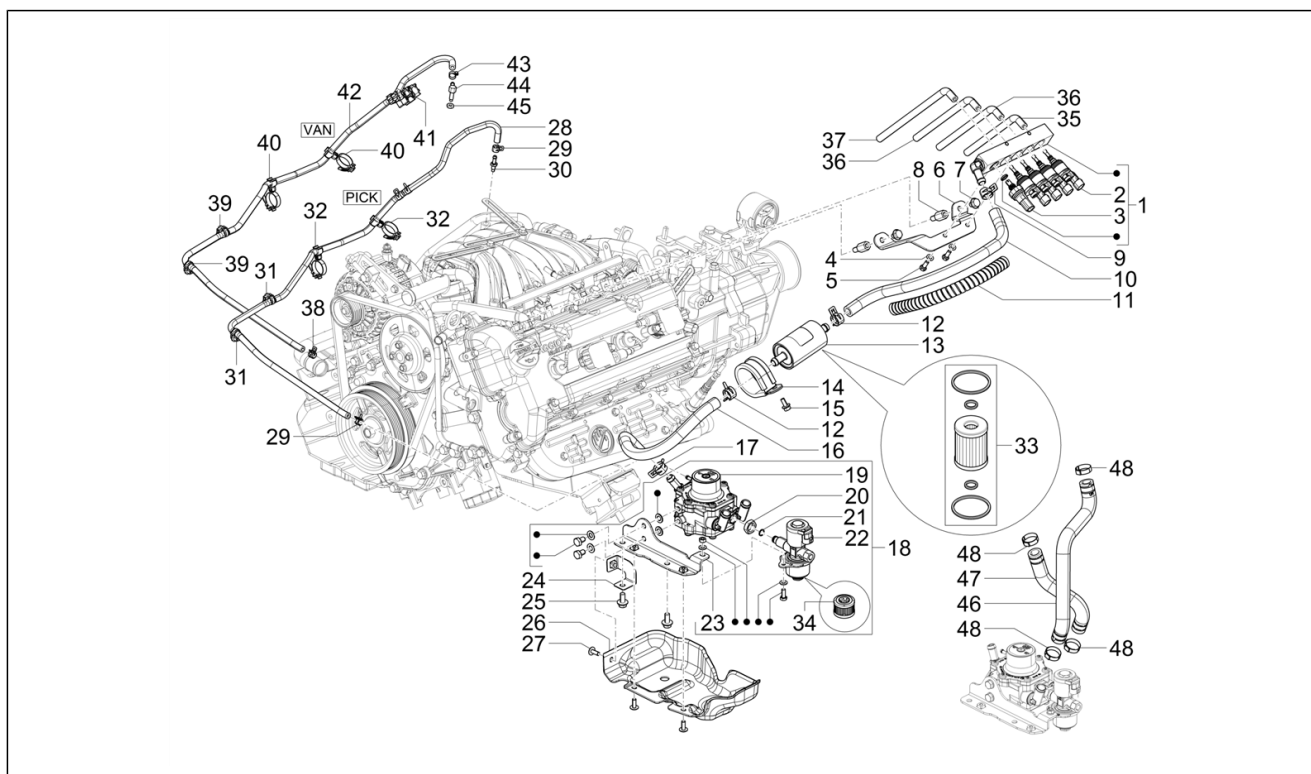
Pos.	Code	Beschreibung	Menge	Varianten
29	975805	Zylinderkopfschraube Innensechskant M5x16	2	
30	660689	Bügel	1	
31	031118	Schraube M8x20	2	
32	016408	Sprengscheibe 13,75x8,15x4,5	2	
33	003060	Flachscheibe	2	
34	264369	Kunststoffniet	2	
35	1E001917	Flexible Gasleitung (Füllanschluss-Mehrfachventil)	1	
36	1E001951	Schelle Gasleitung 1/4"	3	
37	661065	Niet Aluminium	4	
38	1E002213	Befestigungsbügel Gasleitungen	2	
39	D9161160816	Flanschschraube	2	
40	1E001865	Gummischelle	3	
41	D9165140616	Sechskantschraube	2	
42	709116	Mutter	1	
43	1E001853	Flexible Gasleitung (Mehrfachventil-Druckregler)	1	

Einheit	LPG
Code	08.03
Beschreibung	Benzin-einspritzanlage GPL
Inspektion	1



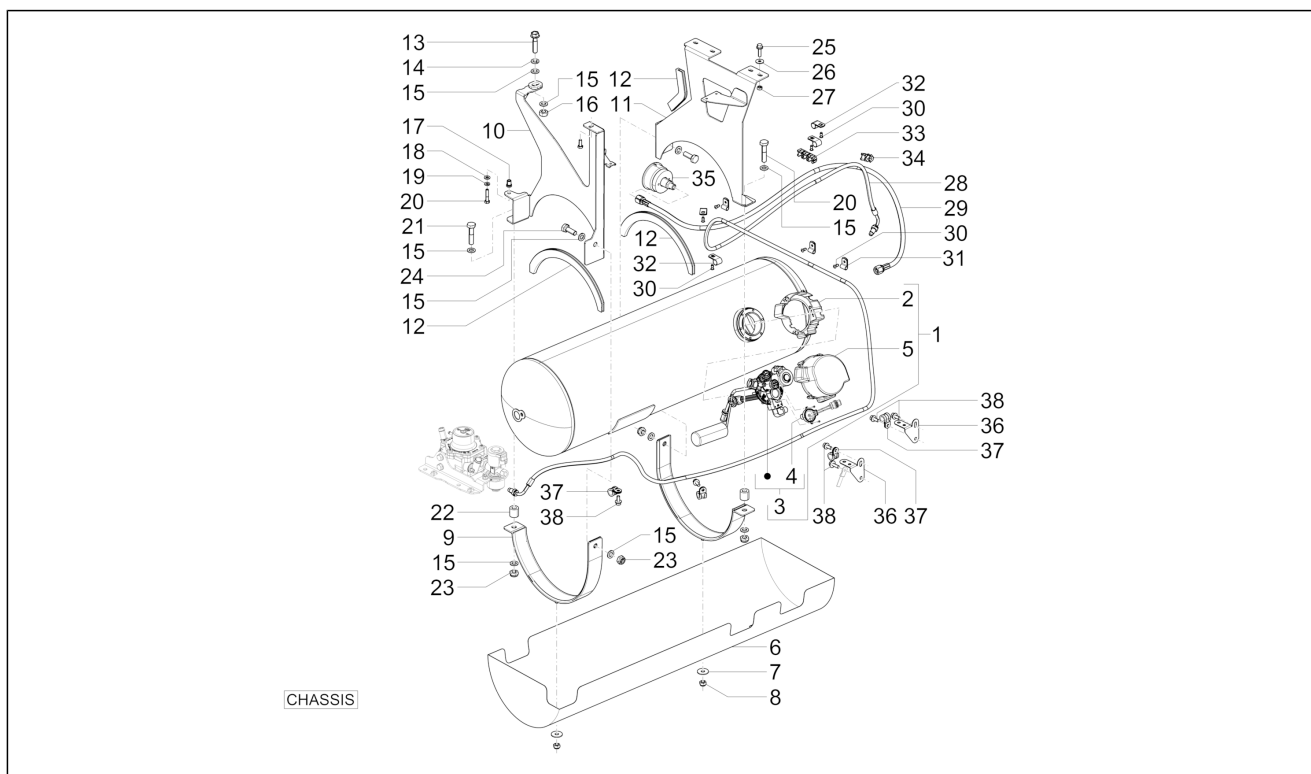
Pos.	Code	Beschreibung	Menge	Varianten
1	1A006490	Baugruppe Rail + Einspritzdüsen	1	
2	B005781	Einspritzdüse komplett INO3	4	
3	659736	Sensor	1	
4	003056	Flachscheibe 6,4x12x1	2	
5	031088	Sechskantschraube M6x16	2	
6	1A006838	Haltebügel Rail	1	
7	857008	TE Schr. m. Flansch M8x10,3	2	
8	B005727	Distanzscheibe	2	
9	1E001863	Schlauchschele	1	
10	1E001734	Gasleitung Filter-Rail	1	
11	612476	Spirale	1	
12	1E001863	Schlauchschele	2	
13	1E001806	Filter Gasphase	1	
14	1E001848	Bundring Befestigung Filter LPG	1	
15	9165140616000	Schraubbolzen	1	
16	1E001733	Gasleitung Druckregler-Filter	1	
17	1E001863	Schlauchschele	1	
18	1E001724	Druckminderer komplett	1	
19	1E001726	Druckminderer	1	
20	B005789	Spezia mutter M16x1	1	
21	B005790	O-Ring	1	
22	B005788	Elektroventil	1	
23	1E001725	Unterer Haltebügel	1	
24	1E001982	Befestigungsbügel Abdeckung	1	
25	9165160820000	Schraubbolzen	2	
26	1E001728	Abdeckung Flüssiggas-Druckregler	1	
27	272836	Zylinderkopfschraube mit Kreuzschlitz M6x16	3	
28	1E001753	Druckabbauleitung komplett	1	

Einheit	LPG
Code	08.03
Beschreibung	Benzin-einspritzanlage GPL
Inspektion	1



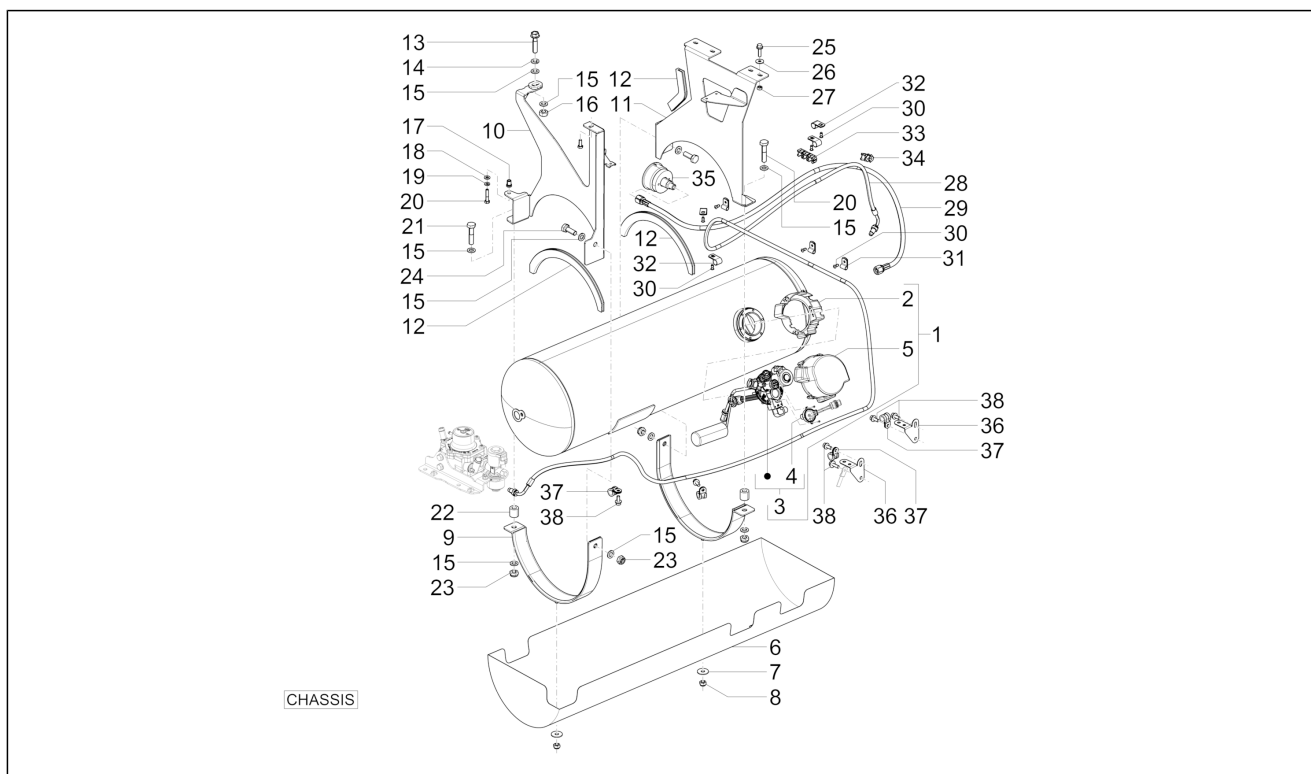
Pos.	Code	Beschreibung	Menge	Varianten
29	1F000320	Schlauchschele	2	
30	1F000321	Düse	1	
31	CM013203	Feder Blechkanten	2	
32	1E001868	Rückhaltefeder Leitungen/Kabel	2	
33	1E001903	Kit LPG-Filter gasförmige Phase	1	
34	1R000089	Filter Flüssigphase	1	
35	1A006881	Leitung Einspritzdüse L=134 mm	1	
36	1A006882	Leitung Einspritzdüse L=147 mm	2	
37	1A006883	Leitung Einspritzdüse L=184 mm	1	
38	1F000320	Schlauchschele	1	
39	CM013203	Feder Blechkanten	2	
40	1E001868	Rückhaltefeder Leitungen/Kabel	2	
41	CM017820	Sperrfeder Leitungen	1	
42	1E001914	Schlauch	1	
43	B005780	Schelle 13x5	1	
44	1E001882	Düse für Unterdruckleitung	1	
45	020206	Mutter M6	1	
46	1E001670	Vorlaufleitung Druckminderer Flüssiggas	1	
47	1E001671	Rücklaufleitung Druckminderer Flüssiggas	1	
48	CM001906	Schlauchschele	4	

Einheit	LPG
Code	08.04
Beschreibung	Benzintank GPL (Chassis)
Inspektion	1



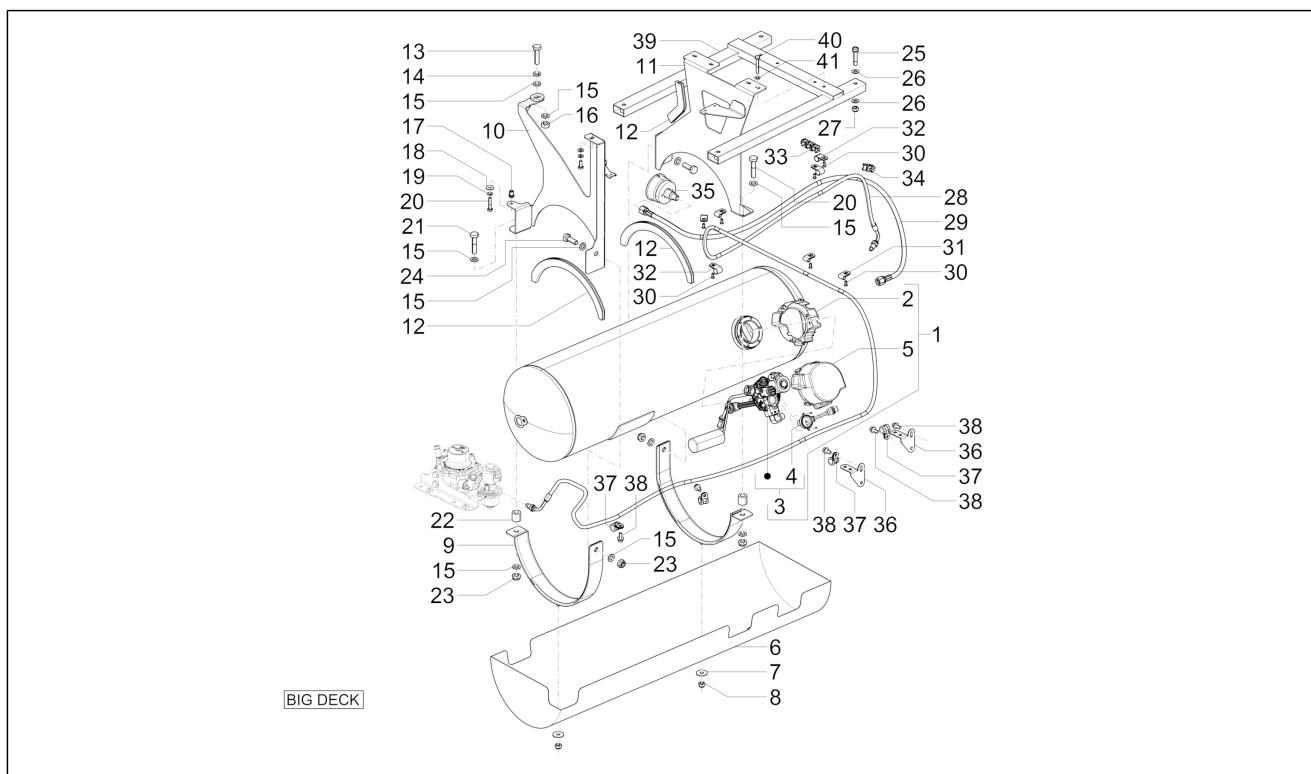
Pos.	Code	Beschreibung	Menge	Varianten
1	1E001368	***TANK GAZ	1	
2	B005775	Schutzbasis Mehrfachventil	1	
3	B005784	Schwimmer komplett	1	
4	661140	Widerstandsscheibe	1	
5	B005774	Schutzdeckel Mehrfachventil	1	
6	B005719	Tankschutz	1	
7	709077	Unterlegscheibe	2	
8	709052	Selbstsperr.mut Unt.	2	
9	B005721	Strang	2	
10	1E001973	Haltebügel vorne LPG-Tank	1	
11	1E001838	***	1	
12	B007982	Schutzhülle	3	
13	9004105165000	Schraubbolzen	1	
14	016410	Unterlegscheibe 17,6x11x2,5	0	
15	003060	Flachscheibe	10	
16	021110	Mutter	1	
17	660710	Geschnitten Kunststoffniet M6x16	1	
18	013777	Unterlegscheibe 6.4x13x1.5	1	
19	016406	Federring 6,4x11,8x1	1	
20	030052	Schraube	1	
21	030098	Schraube m10x45	2	
22	660652	Distanzscheibe	2	
23	002440	Mutter, selbstsichernd M10	4	
24	031157	Sechskantschraube M10x30	1	
25	9165160625000	Schraubbolzen	1	
26	709056	Flachscheibe 18x6,4x1,6	1	
27	020106	Mutter M6	1	
28	1E001851	Flexible Gasleitung (Mehrfachventil-Druckregler)	1	

Einheit	LPG
Code	08.04
Beschreibung	Benzintank GPL (Chassis)
Inspektion	1



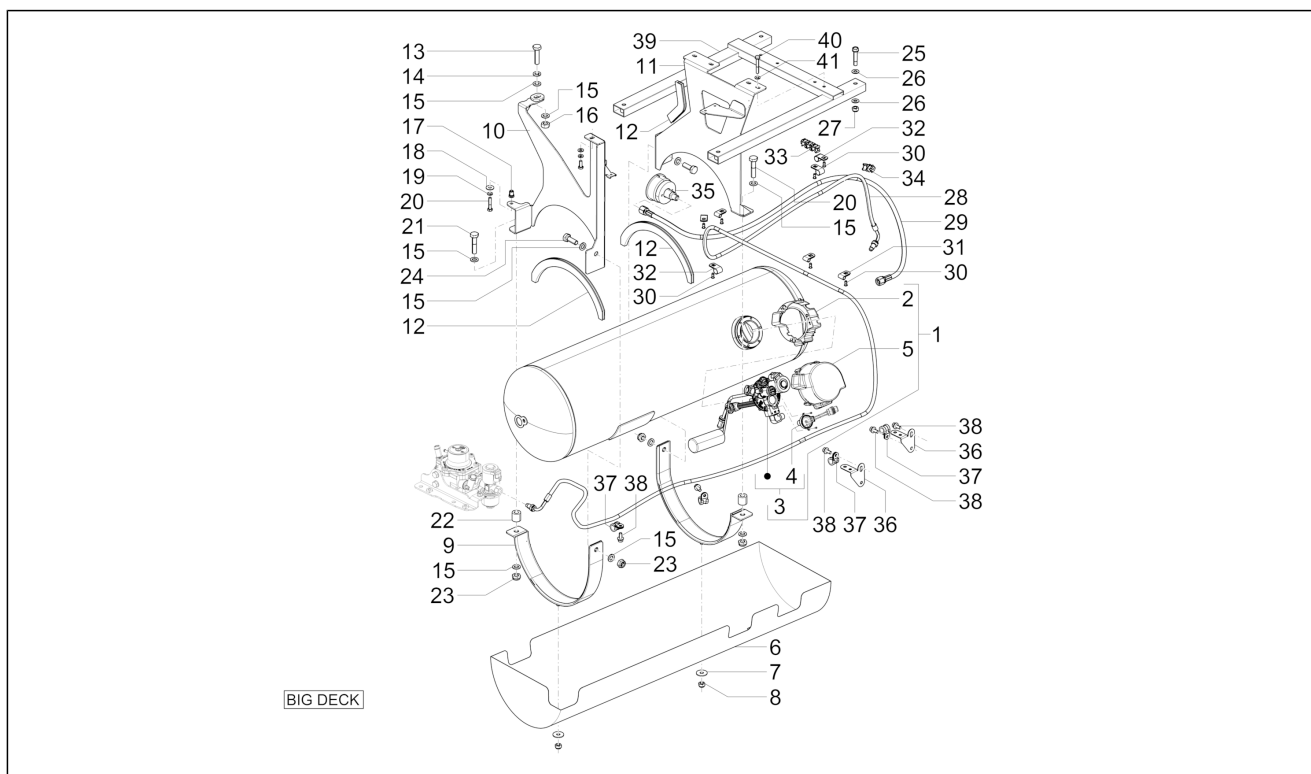
Pos.	Code	Beschreibung	Menge	Varianten
29	1E001857	Flexible Gasleitung (Füllanschluss-Mehrfachventil)	1	
30	661065	Niet Aluminium	7	
31	660684	Schelle	3	
32	1E001951	Schelle Gasleitung 1/4"	4	
33	CM017821	Sperrfeder Leitungen	1	
34	CM017810	Sperrfeder Leitungen	1	
35	B005785	Füllstutzen	1	
36	1E001836	Haltebügel Verkabelung	2	
37	1E001865	Gummischelle	4	
38	9165140616000	Schraubbolzen	6	

Einheit	LPG
Code	08.05
Beschreibung	Benzintank GPL (Big Deck)
Inspektion	1



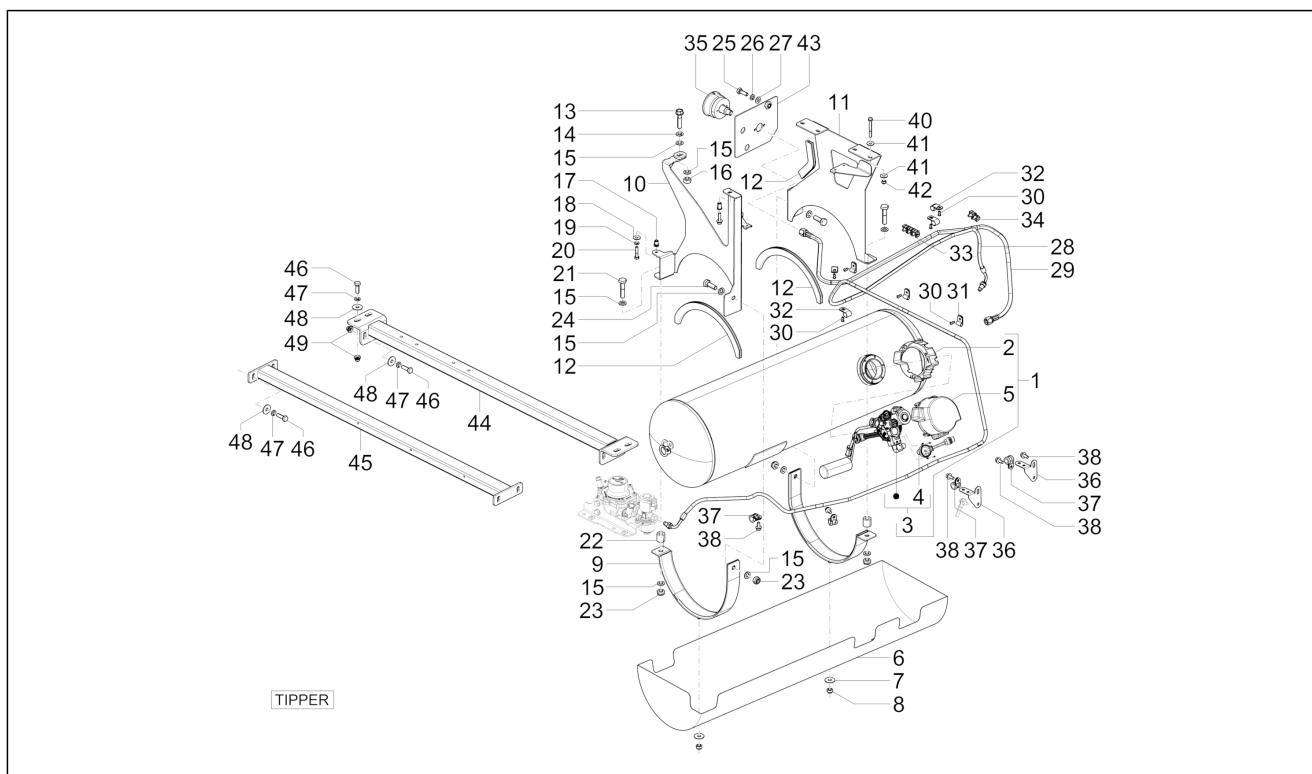
Pos.	Code	Beschreibung	Menge	Varianten
1	1E001368	***TANK GAZ	1	
2	B005775	Schutzbasis Mehrfachventil	1	
3	B005784	Schwimmer komplett	1	
4	661140	Widerstandsscheibe	1	
5	B005774	Schutzdeckel Mehrfachventil	1	
6	B005719	Tankschutz	1	
7	709077	Unterlegscheibe	2	
8	709052	Selbstsperr.mut Unt.	2	
9	B005721	Strang	2	
10	1E001828	Haltebügel vorne LPG-Tank	1	
11	1E001830	Bügel hinten Halterung LPG-Tank	1	
12	B007982	Schutzhülle	3	
13	661075	Sechskantschraube M10x40	1	
14	016410	Unterlegscheibe 17,6x11x2,5	1	
15	003060	Flachscheibe	10	
16	021110	Mutter	1	
17	660710	Geschnitten Kunststoffniet M6x16	1	
18	013777	Unterlegscheibe 6.4x13x1.5	1	
19	016406	Federring 6,4x11,8x1	1	
20	030052	Schraube	1	
21	030098	Schraube m10x45	2	
22	660652	Distanzscheibe	2	
23	002440	Mutter, selbstsichernd M10	2	
24	031057	Schraube M5x14	2	
25	9161160840000	Schraubbolzen	4	
26	013776	Unterlegscheibe	8	
27	709052	Selbstsperr.mut Unt.	4	
28	1E001851	Flexible Gasleitung (Mehrfachventil-Druckregler)	1	

Einheit	LPG
Code	08.05
Beschreibung	Benzintank GPL (Big Deck)
Inspektion	1



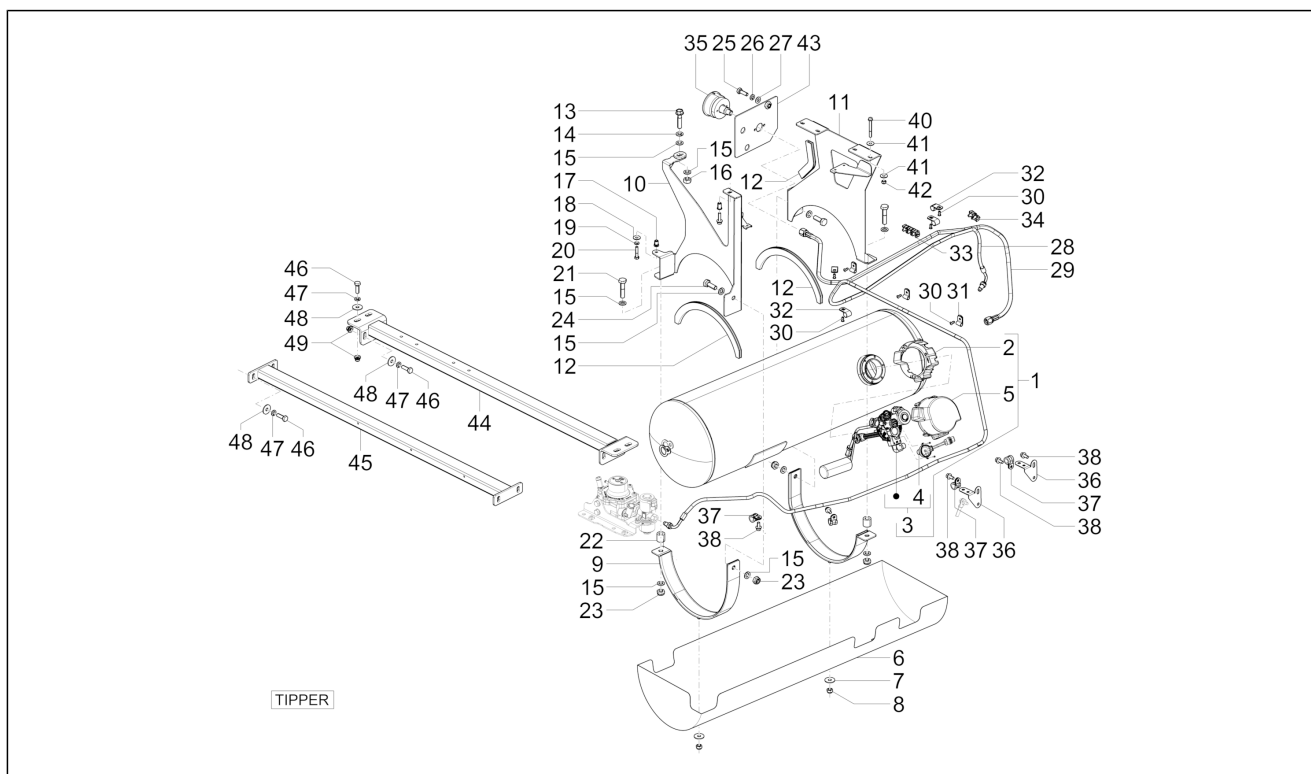
Pos.	Code	Beschreibung	Menge	Varianten
29	1E001857	Flexible Gasleitung (Füllanschluss-Mehrfachventil)	1	
30	661065	Niet Aluminium	7	
31	660684	Schelle	3	
32	1E001951	Schelle Gasleitung 1/4"	4	
33	CM017821	Sperrfeder Leitungen	1	
34	CM017821	Sperrfeder Leitungen	1	
35	B005785	Füllstutzen	1	
36	1E001836	Haltebügel Verkabelung	2	
37	1E001865	Gummischelle	3	
38	9165140616000	Schraubbolzen	4	
39	B005728	Hinterer Steigbügel	1	
40	414834	TE Schr. m. Flansch M6x40	4	
41	709056	Flachscheibe 18x6,4x1,6	4	

Einheit	LPG
Code	08.06
Beschreibung	Benzintank GPL (Tipper)
Inspektion	1



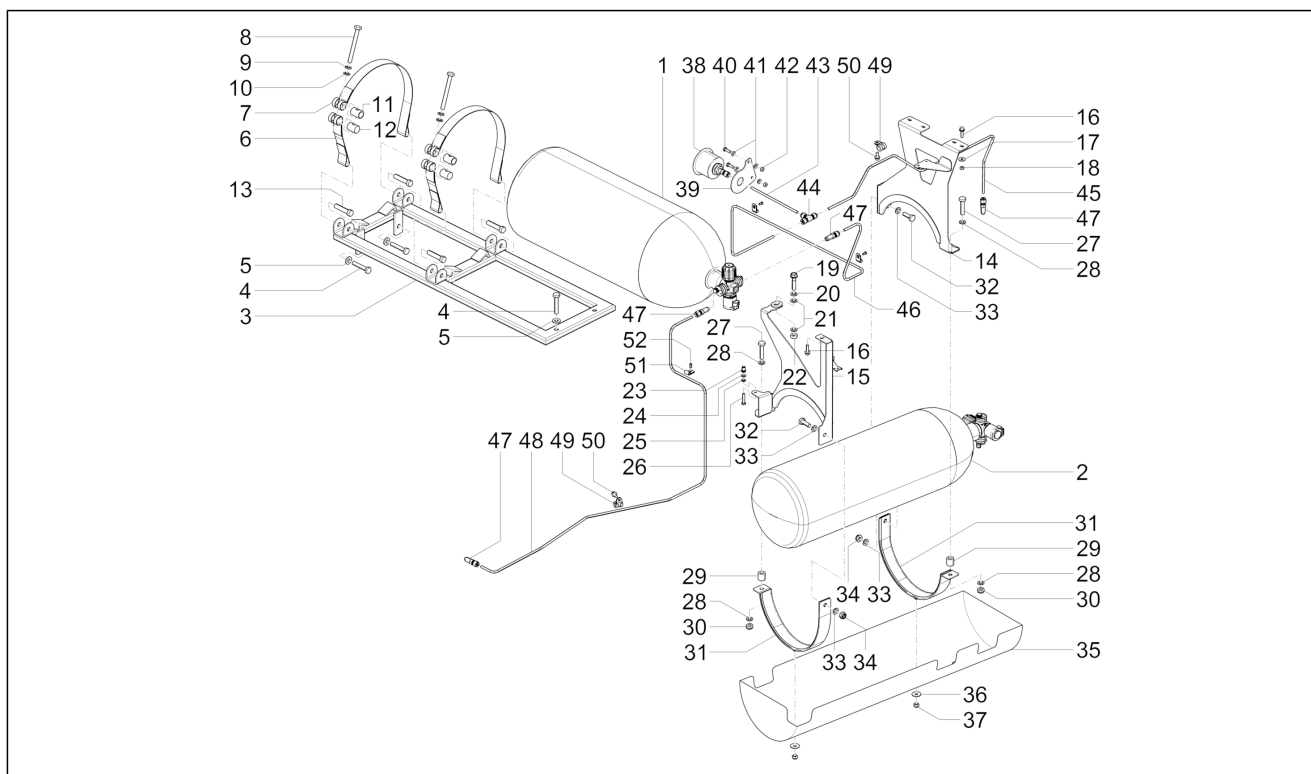
Pos.	Code	Beschreibung	Menge	Varianten
1	1E001368	***TANK GAZ	1	
2	B005775	Schutzbasis Mehrfachventil	1	
3	B005784	Schwimmer komplett	1	
4	661140	Widerstandsscheibe	1	
5	B005774	Schutzdeckel Mehrfachventil	1	
6	B005719	Tankschutz	1	
7	709077	Unterlegscheibe	2	
8	709052	Selbstsperr.mut Unt.	2	
9	B005721	Strang	2	
10	1E001828	Haltebügel vorne LPG-Tank	1	
11	1E001831	Bügel hinten Halterung LPG-Tank	1	
12	B007982	Schutzhülle	1	
13	9004105165000	Schraubbolzen	1	
14	016410	Unterlegscheibe 17,6x11x2,5	1	
15	003060	Flachscheibe	10	
16	021110	Mutter	1	
17	660710	Geschnitten Kunststoffniet M6x16	1	
18	709056	Flachscheibe 18x6,4x1,6	1	
19	016406	Federring 6,4x11,8x1	1	
20	030052	Schraube	1	
21	030098	Schraube m10x45	2	
22	660652	Distanzscheibe	2	
23	002440	Mutter, selbstsichernd M10	2	
24	031157	Sechskantschraube M10x30	2	
25	031120	Schraube	1	
26	016408	Sprengscheibe 13,75x8,15x4,5	1	
27	013776	Unterlegscheibe	1	
28	1E001855	Flexible Gasleitung (Füllanschluss-Mehrfachventil)	1	

Einheit	LPG
Code	08.06
Beschreibung	Benzintank GPL (Tipper)
Inspektion	1



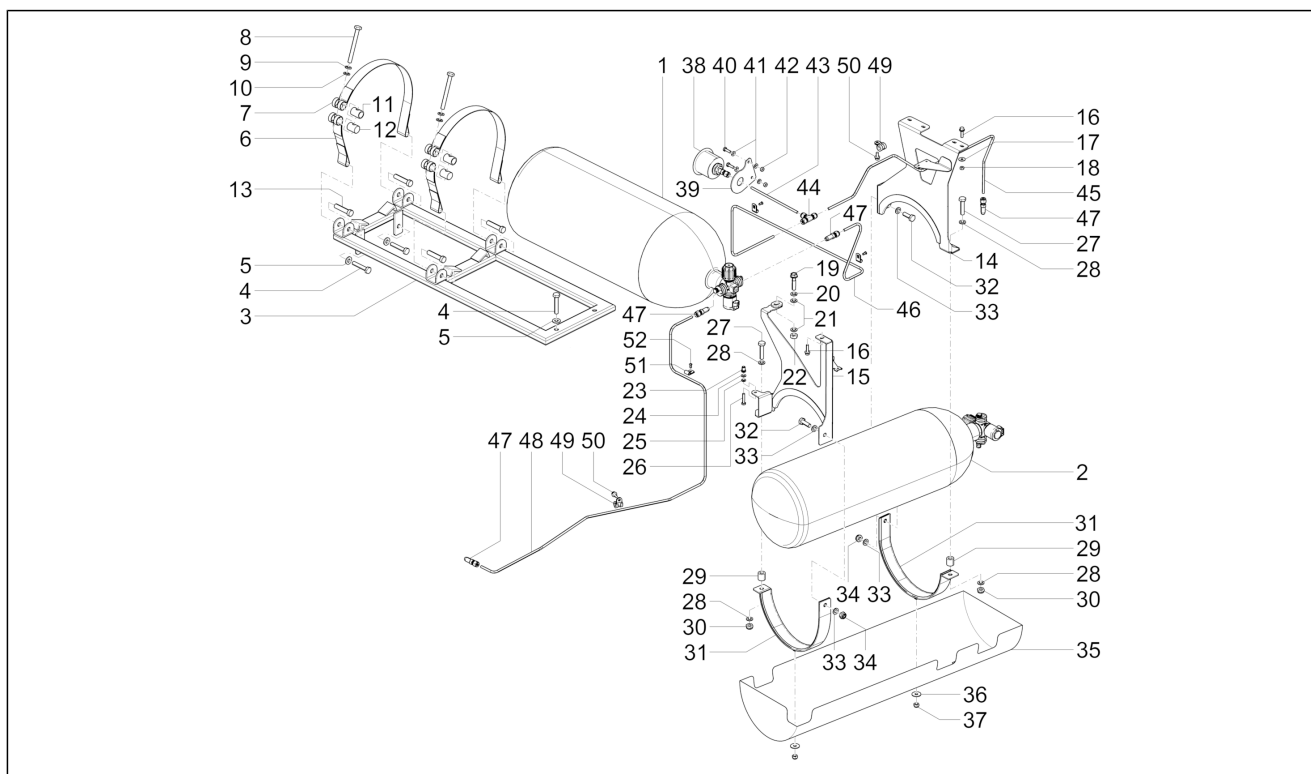
Pos.	Code	Beschreibung	Menge	Varianten
29	1E001852	Flexible Gasleitung (Mehrfachventil-Druckregler)	1	
30	661065	Niet Aluminium	7	
31	660684	Schelle	3	
32	1E001951	Schelle Gasleitung 1/4"	4	
33	CM017821	Sperrfeder Leitungen	1	
34	CM017810	Sperrfeder Leitungen	1	
35	B005785	Füllstutzen	1	
36	1E001836	Haltebügel Verkabelung	2	
37	1E001865	Gummischelle	2	
38	9165140616000	Schraubbolzen	4	
40	430207	Schraube M6x50	4	
41	709056	Flachscheibe 18x6,4x1,6	8	
42	709116	Mutter	4	
43	661128	Haltebügel	1	
44	661130	Hinterer Querträger Tankhalterung GPL	1	
45	1E001864	Vorderer Querträger Tankhalterung GPL	1	
46	031120	Schraube	12	
47	016408	Sprengscheibe 13,75x8,15x4,5	12	
48	709077	Unterlegscheibe	12	
49	264369	Kunststoffniet	8	

Einheit	Methan
Code	09.01
Beschreibung	Kraftstofftank Methan
Inspektion	1



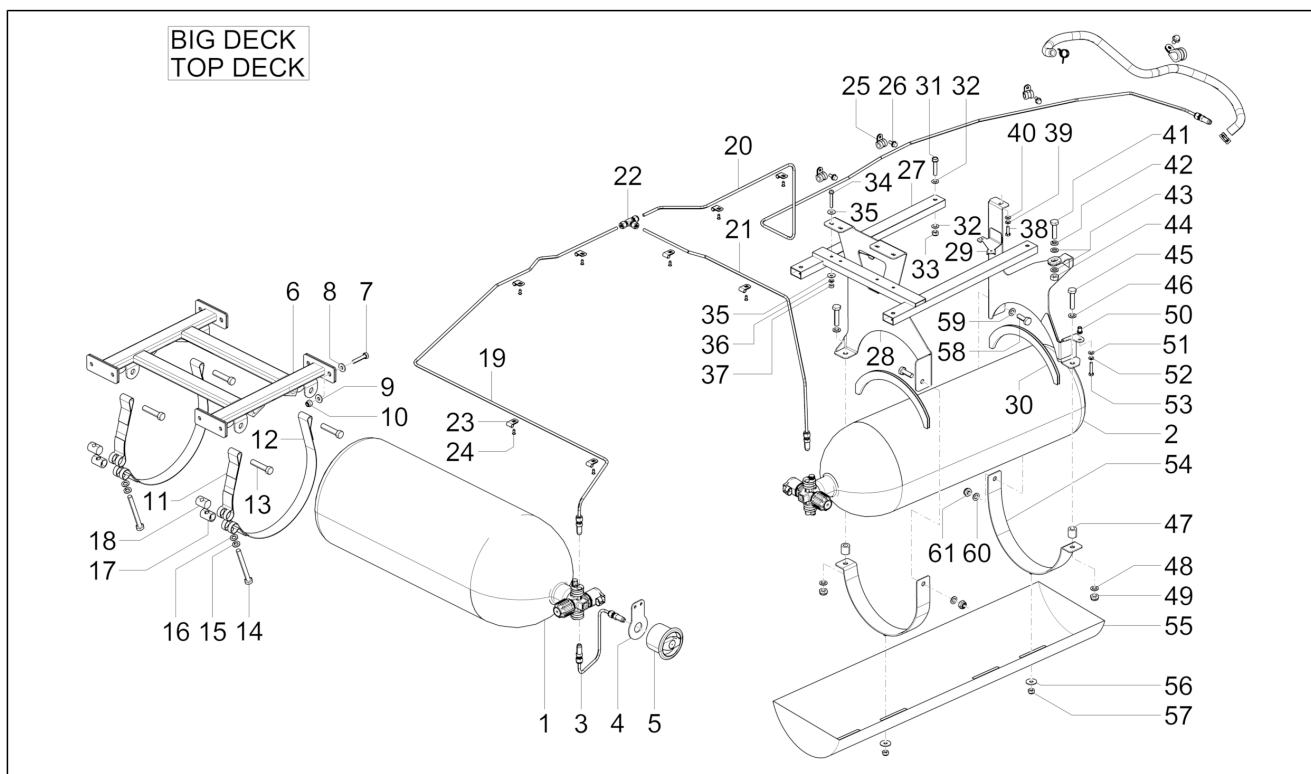
Pos.	Code	Beschreibung	Menge	Varianten
1	B007935	Benzintank komplett 273x750	1	
2	B007936	Benzintank komplett 229x750	1	
3	B007925	Vorderer kleiner rahmen	1	
4	268158	Sechskantschraube M10	4	
5	0030404	Unterlegscheibe	4	
6	B007930	Stutzebinde	2	
7	B007929	Stutzebinde	2	
8	030109	Schraubbolzen	2	
9	016410	Unterlegscheibe 17,6x11x2,5	2	
10	003060	Flachscheibe	2	
11	B007932	Fixierstift	2	
12	B007933	Fixierstift	2	
13	B007931	Fixierstift L=62	4	
14	1E002259	Hinterer Bügel Tankhalterung	1	
15	1E002256	Vorderer Bügel Tankhalterung	1	
16	9165160625000	Schraubbolzen	5	
17	709056	Flachscheibe 18x6,4x1,6	4	
18	020106	Mutter M6	4	
19	9004105165000	Schraubbolzen	1	
20	016410	Unterlegscheibe 17,6x11x2,5	1	
21	003060	Flachscheibe	2	
22	021110	Mutter	1	
23	660710	Geschnitten Kunststoffniet M6x16	1	
24	013777	Unterlegscheibe 6.4x13x1.5	1	
25	016406	Federring 6,4x11,8x1	1	
26	030052	Schraube	1	
27	015578	Sechskantschraube M10x45	2	
28	003060	Flachscheibe	2	

Einheit	Methan
Code	09.01
Beschreibung	Kraftstofftank Methan
Inspektion	1



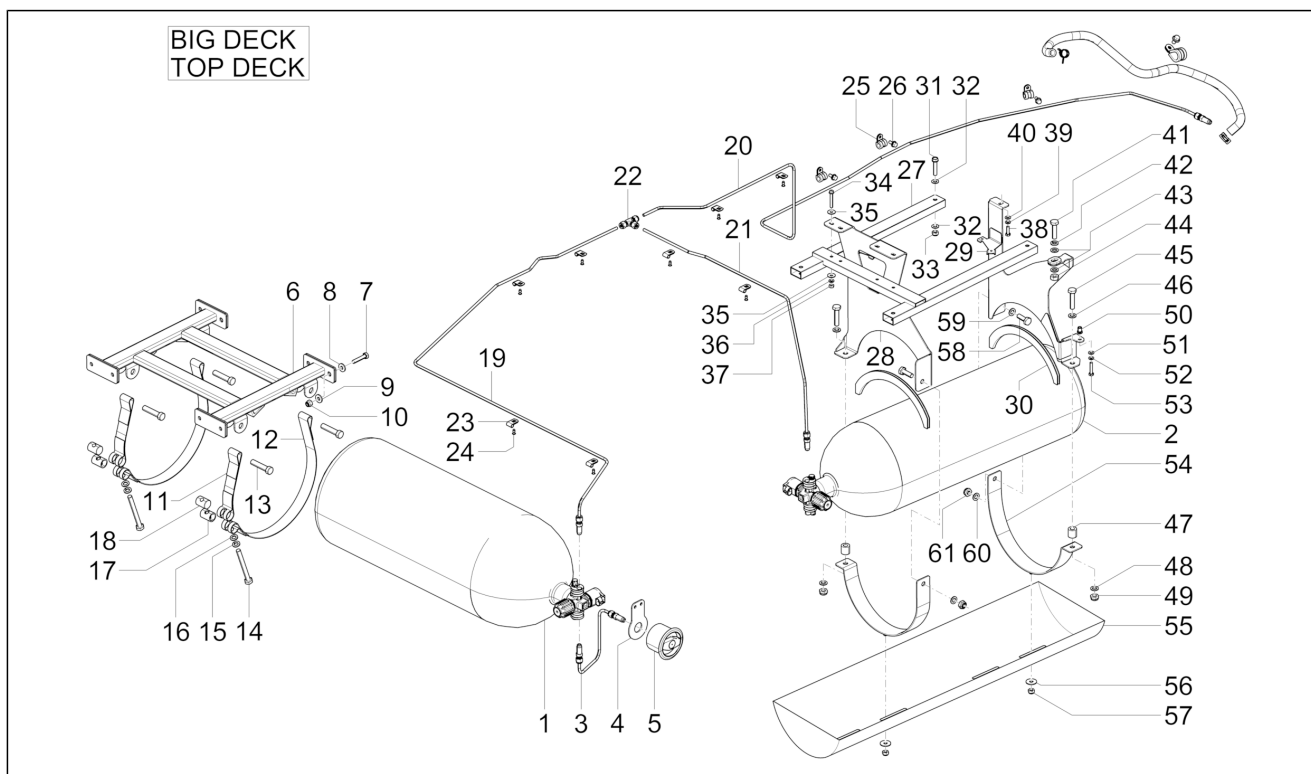
Pos.	Code	Beschreibung	Menge	Varianten
29	660652	Distanzscheibe	2	
30	002440	Mutter, selbstsichernd M10	2	
31	B005718	Strang	2	
32	031157	Sechskantschraube M10x30	2	
33	003060	Flachscheibe	4	
34	002440	Mutter, selbstsichernd M10	2	
35	B005719	Tankschutz	1	
36	709077	Unterlegscheibe	2	
37	709052	Selbstsperr.mut Unt.	2	
38	B007939	Füllstutzen	1	
39	B007952	Haltebügel	1	
40	031090	Sechskantschraube	2	
41	013777	Unterlegscheibe 6.4x13x1.5	4	
42	020106	Mutter M6	2	
43	1E002223	Starre Gasleitung (Füllanschluss-Verschraubung)	1	
44	B007949	3-Wegeanschluß	1	
45	1E002224	Starre Gasleitung (Beh.rechts-Verschraubung)	1	
46	1E002222	Starre Gasleitung (Verschraubung-vord.Beh.)	1	
47	B007955	Endverschraubung	4	
48	1E002221	Starre Gasleitung (vord.Beh.-Druckregler)	1	
49	1E002209	Gummischelle	2	
50	D9165140616	Sechskantschraube	2	
51	660684	Schelle	3	
52	661065	Niet Aluminium	3	

Einheit	Methan
Code	09.02
Beschreibung	Kraftstofftank Methan II
Inspektion	1



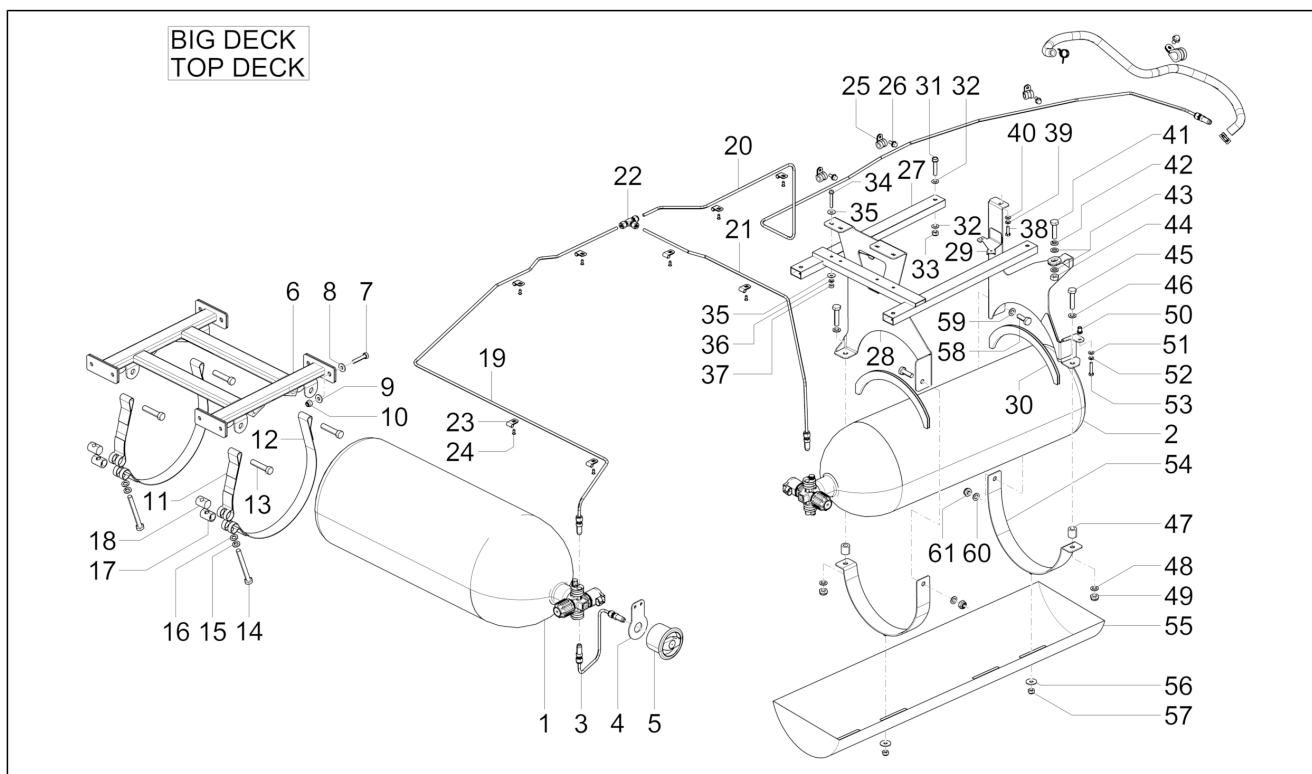
Pos.	Code	Beschreibung	Menge	Varianten
1	B007935	Benzintank komplett 273x750	1	
2	B007936	Benzintank komplett 229x750	1	
3	1E001978	Starre Gasleitung (Füllanschluss-hint.Beh.)	1	
4	B007980	Halterbügel	1	
5	B007939	Füllstutzen	1	
6	B007926	Hinterer kleiner rahmen	1	
7	015861	Schraube	8	
8	013861	Flachscheibe 8,2x20x2,5	8	
9	013861	Flachscheibe 8,2x20x2,5	8	
10	002418	Mutter M8	8	
11	B007930	Stutzebinde	2	
12	B007929	Stutzebinde	2	
13	B007931	Fixierstift L=62	4	
14	030109	Schraubbolzen	2	
15	016410	Unterlegscheibe 17,6x11x2,5	2	
16	003060	Flachscheibe	2	
17	B007932	Fixierstift	2	
18	B007933	Fixierstift	2	
19	1E001976	Starre Gasleitung (hint.Beh.-Verschraubung)	1	
20	1E001980	Starre Gasleitung (Verschraubung-Druckregler)	1	
21	1E001977	Starre Gasleitung (Beh.rechts-Verschraubung)	1	
22	B007949	3-Wegeanschluß	1	
23	660684	Schelle	8	
24	661065	Niet Aluminium	8	
25	1E002209	Gummischelle	3	
26	D9165140616	Sechskantschraube	3	
27	B005728	Hinterer Steigbügel	1	
28	1E002261	Hinterer Bügel Tankhalterung	1	

Einheit	Methan
Code	09.02
Beschreibung	Kraftstofftank Methan II
Inspektion	1



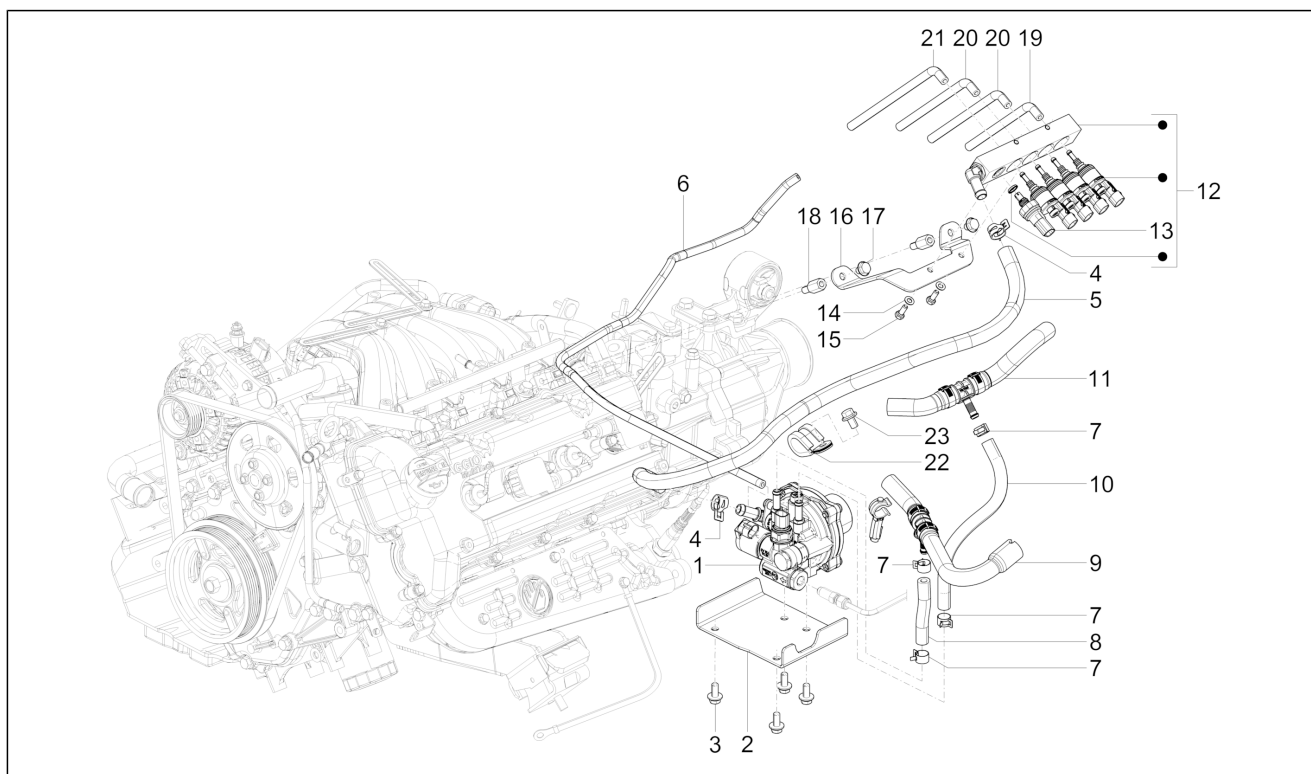
Pos.	Code	Beschreibung	Menge	Varianten
29	1E002258	Vorderer Bügel Tankhalterung	1	
30	B007982	Schutzhülle	2	
31	D9161160840	Schraubbolzen	4	
32	013776	Unterlegscheibe	8	
33	B005728	Hinterer Steigbügel	0	
34	414834	TE Schr. m. Flansch M6x40	4	
35	709056	Flachscheibe 18x6,4x1,6	8	
36	016406	Federring 6,4x11,8x1	4	
37	020106	Mutter M6	4	
38	031090	Sechskantschraube	1	
39	016406	Federring 6,4x11,8x1	1	
40	013777	Unterlegscheibe 6.4x13x1.5	1	
41	661075	Sechskantschraube M10x40	1	
42	016410	Unterlegscheibe 17,6x11x2,5	1	
43	003060	Flachscheibe	1	
44	021110	Mutter	1	
45	030098	Schraube m10x45	2	
46	003060	Flachscheibe	2	
47	660652	Distanzscheibe	2	
48	003060	Flachscheibe	2	
49	002440	Mutter, selbstsichernd M10	2	
50	660710	Geschnitten Kunststoffniet M6x16	1	
51	013777	Unterlegscheibe 6.4x13x1.5	1	
52	016406	Federring 6,4x11,8x1	1	
53	030052	Schraube	1	
54	B005718	Strang	1	
55	B007950	Tankschutz	1	
56	709077	Unterlegscheibe	2	

Einheit	Methan
Code	09.02
Beschreibung	Kraftstofftank Methan II
Inspektion	1



Pos.	Code	Beschreibung	Menge	Varianten
57	709052	Selbstsperr.mut Unt.	2	
58	031157	Sechskantschraube M10x30	2	
59	003060	Flachscheibe	2	
60	003060	Flachscheibe	2	
61	002440	Mutter, selbstsichernd M10	2	

Einheit	Methan
Code	09.03
Beschreibung	Benrin-einspritzanlage Methan
Inspektion	1



Pos.	Code	Beschreibung	Menge	Varianten
1	1E001766	Druckminderer komplett	1	
2	1E001732	Haltebügel Druckregler	1	
3	D9165160820	Sechskantschraube	4	
4	1E001863	Schlauchschele	2	
5	1E001804	Gasleitung Druckregler-Rail	1	
6	1E001752	Schlauch	1	
7	D9004467190	Bundring	4	
8	1E002250	Kühlflüssigkeitsleitung	1	
9	1E001800	Rücklaufleitung Behälter komplett mit Anschluss	1	
10	1E002251	Kühlflüssigkeitsleitung	1	
11	1E001799	Vorlaufleitung Heizer	1	
12	1A006490	Baugruppe Rail + Einspritzdüsen	1	
13	659736	Sensor	1	
14	003056	Flachscheibe 6,4x12x1	2	
15	031088	Sechskantschraube M6x16	2	
16	1A006838	Haltebügel Rail	1	
17	874554	Sechskantschraube geflanscht M6x14	2	
18	B005727	Distanzscheibe	2	
19	1A006881	Leitung Einspritzdüse L=134 mm	1	
20	1A006882	Leitung Einspritzdüse L=147 mm	2	
21	1A006883	Leitung Einspritzdüse L=184 mm	1	
22	1E002211	[...]	1	
23	9165140816000	Schraube	1	