



ERSATZTEILKATALOG



Ape 50 2T E4 2018-2020

Vorsatzcode Fahrgestell:
Vorsatzcode Motor: C804M

Inhaltsverzeichnis

| | |
|---|----|
| Fertige Produkte..... | 4 |
| Alphanumerisches Verzeichnis..... | 9 |
| Motor..... | 14 |
| Tafel 01.02 - Motor, komplett..... | 14 |
| Tafel 01.05 - Kurbelwellengehäuse..... | 15 |
| Tafel 01.06 - Kurbelwelle..... | 17 |
| Tafel 01.07 - Einheit Zylinder-Kolben-Kolbenbolzen..... | 18 |
| Tafel 01.12 - Zylinderkopfabdeckung..... | 19 |
| Tafel 01.18 - Ölpumpe..... | 20 |
| Tafel 01.20 - Starter - Elektrischer starter..... | 21 |
| Tafel 01.21 - Lichtmaschine..... | 22 |
| Tafel 01.23 - Schwungraddeckel - Ölfilter..... | 23 |
| Tafel 01.28 - Hinterachsantrieb..... | 24 |
| Tafel 01.31 - Schaltgetriebe..... | 26 |
| Tafel 01.32 - Schalthebel..... | 27 |
| Tafel 01.34 - Kupplung..... | 28 |
| Tafel 01.39 - Vergaser, komplett - Ansaugstutzen..... | 29 |
| Tafel 01.40 - Vergaserkomponenten..... | 30 |
| Tafel 01.42 - Auspufftopf..... | 32 |
| Tafel 01.45 - Luftfilter..... | 33 |
| Tafel 01.46 - Gehäuse nebenluft..... | 34 |
| Fahrgestell - Plastformteil - Karosserien..... | 36 |
| Tafel 02.01 - Fahrgestell/Karosserie..... | 36 |
| Tafel 02.02 - Rahmen/ vordere Karosserieteile..... | 37 |
| Tafel 02.04 - Rahmen/ hintere Karosserieteile..... | 38 |
| Tafel 02.05 - Motorhalterungen..... | 39 |
| Tafel 02.10 - Hintere Klappe - Scheibe..... | 40 |
| Tafel 02.11 - Fahrkabine - Türen..... | 41 |
| Tafel 02.12 - Kabinenbauteile..... | 44 |
| Tafel 02.13 - Sicherheitsgurte..... | 45 |
| Tafel 02.17 - Offene Ladefläche - Ladeklappen..... | 46 |
| Tafel 02.19 - Ladeflächenbauteile..... | 47 |
| Tafel 02.27 - Windschutzscheibe - Scheiben..... | 48 |
| Tafel 02.33 - Radgehäuse - Radkotflügel..... | 49 |
| Tafel 02.35 - Vorderes Bodenpaneel..... | 50 |
| Tafel 02.37 - Hinterabdeckung - Kotflügellappen..... | 51 |
| Tafel 02.38 - Plaketten - Verzierungen..... | 52 |
| Tafel 02.39 - Sitzbank/Sitzbänke - Werkzeugtasche..... | 53 |
| Tafel 02.40 - Vordersitze..... | 54 |
| Tafel 02.45 - Rückspiegel/n..... | 55 |
| Tafel 02.46 - Schloßen..... | 56 |
| Tafel 02.47 - Benzintank..... | 57 |
| Tafel 02.52 - Öltank..... | 58 |

| | |
|---|----|
| Lenker/Lenkung..... | 59 |
| Tafel 03.01 - Lenker Deckungen..... | 59 |
| Tafel 03.02 - Cockpitinstrumente - Cruscotto..... | 60 |
| Tafel 03.06 - Lenker - Hauptbremszylinder..... | 62 |
| Radaufhängungen..... | 64 |
| Tafel 04.07 - Vordere Radaufhängung - Stoßdämpfer..... | 64 |
| Tafel 04.10 - Hintere Radaufhängung - Stoßdämpfer..... | 66 |
| Tafel 04.11 - Vorderrad..... | 68 |
| Tafel 04.12 - Hinterrad..... | 69 |
| Bremsanlage - Bowdenzüge..... | 70 |
| Tafel 05.02 - Bremsbackensätzen..... | 70 |
| Tafel 05.03 - Bowdenzügen..... | 71 |
| Tafel 05.04 - Bremsanlage..... | 72 |
| Tafel 05.07 - Feststellbremse..... | 74 |
| Elektrische Anlage..... | 75 |
| Tafel 06.01 - Wechselschalter - Umschalter - Druckschalter - Schalter..... | 75 |
| Tafel 06.03 - Vorderleuchten - Blinkleuchten..... | 76 |
| Tafel 06.04 - Hinterleuchten - Blinkleuchten..... | 77 |
| Tafel 06.05 - Fernschalteren - Batterie - Hupe..... | 78 |
| Tafel 06.06 - Spannungsreglerern - Elektronisches Steuergerern - Zündspule..... | 79 |
| Tafel 06.08 - Hauptkabelbaum..... | 80 |
| Tafel 06.16 - Vorderer und hinterer Scheibenwischer..... | 81 |

Fertige Produkte

| Code | Gültigkeit |
|------------|------------|
| E33K000040 | |
| E33K000041 | |
| E33K000042 | |
| E33K000045 | |
| E33K000046 | |
| E33K000047 | |
| E33K000081 | |
| E33K000PL1 | |
| E33K000U90 | |
| E33K000U91 | |
| E33K000U95 | |
| E33K000U97 | |
| E33K000U98 | |
| E33K12N040 | |
| E33K12N041 | |
| E33K12N042 | |
| E33K12N045 | |
| E33K12N046 | |
| E33K12N047 | |
| E33K12N081 | |
| E33K8BN040 | |
| E33K8BN041 | |
| E33K8BN042 | |
| E33K8BN045 | |
| E33K8BN046 | |
| E33K8BN047 | |
| E33K8BNPL1 | |
| E33K8BNU98 | |
| E33KACN040 | |
| E33KACN041 | |
| E33KACN042 | |
| E33KACN045 | |
| E33KACN046 | |
| E33KACN047 | |
| E33KDHN040 | |
| E33KDHN041 | |
| E33KDHN042 | |
| E33KDHN045 | |
| E33KDHN046 | |
| E33KDHN047 | |
| E33KHZN040 | |
| E33KHZN041 | |

| Code | Gültigkeit |
|------------|------------|
| E33KHZN042 | |
| E33KHZN045 | |
| E33KHZN046 | |
| E33KHZN047 | |
| E33KNBN040 | |
| E33KNBN041 | |
| E33KNBN042 | |
| E33KNBN045 | |
| E33KNBN046 | |
| E33KNBN047 | |
| E33KRTN040 | |
| E33KRTN041 | |
| E33KRTN042 | |
| E33KRTN045 | |
| E33KRTN046 | |
| E33KRTN047 | |
| E33KRTNU90 | |
| E33KRTNU91 | |
| E33KRTNU95 | |
| E33KRTNU97 | |
| E33KVIN040 | |
| E33KVIN041 | |
| E33KVIN042 | |
| E33KVIN045 | |
| E33KVIN046 | |
| E33KVIN047 | |
| E33L000A40 | |
| E33L000A45 | |
| E33L000A80 | |
| E33L12NA40 | |
| E33L12NA45 | |
| E33L8BNA40 | |
| E33L8BNA45 | |
| E33L8BNA80 | |
| E33LACNA40 | |
| E33LACNA45 | |
| E33LDHNA40 | |
| E33LDHNA45 | |
| E33LHZNA40 | |
| E33LHZNA45 | |
| E33LNBNA40 | |
| E33LNBNA45 | |
| E33LRTNA40 | |
| E33LRTNA45 | |
| E33LVINA40 | |

| Code | Gültigkeit |
|------------|------------|
| E33LVINA45 | |
| E33M000040 | |
| E33M000045 | |
| E33M000U35 | |
| E33M000U90 | |
| E33M000U95 | |
| E33M12N040 | |
| E33M12N045 | |
| E33M12NU35 | |
| E33M8BN040 | |
| E33M8BN045 | |
| E33MACN040 | |
| E33MACN045 | |
| E33MDHN040 | |
| E33MDHN045 | |
| E33MHZN040 | |
| E33MHZN045 | |
| E33MNB040 | |
| E33MNB045 | |
| E33MRTN040 | |
| E33MRTN045 | |
| E33MRTNU90 | |
| E33MRTNU95 | |
| E33MVIN040 | |
| E33MVIN045 | |
| N33K000040 | |
| N33K000041 | |
| N33K000042 | |
| N33K000080 | |
| N33K000082 | |
| N33K000PL1 | |
| N33K000PL2 | |
| N33K000PL3 | |
| N33K000X90 | |
| N33K000X91 | |
| N33K000X92 | |
| N33K12N040 | |
| N33K12N041 | |
| N33K12N042 | |
| N33K12N082 | |
| N33K8BN040 | |
| N33K8BN041 | |
| N33K8BN042 | |
| N33K8BNPL1 | |
| N33K8BNPL2 | |

| Code | Gültigkeit |
|------------|------------|
| N33K8BNPL3 | |
| N33KACN040 | |
| N33KACN041 | |
| N33KACN042 | |
| N33KDHN040 | |
| N33KDHN041 | |
| N33KDHN042 | |
| N33KHZN040 | |
| N33KHZN041 | |
| N33KHZN042 | |
| N33KNBN040 | |
| N33KNBN041 | |
| N33KNBN042 | |
| N33KRTN040 | |
| N33KRTN041 | |
| N33KRTN042 | |
| N33KRTNX90 | |
| N33KRTNX91 | |
| N33KRTNX92 | |
| N33KVIN040 | |
| N33KVIN041 | |
| N33KVIN042 | |
| N33L000A40 | |
| N33L000PL1 | |
| N33L000X90 | |
| N33L12NA40 | |
| N33L8BNA40 | |
| N33L8BNPL1 | |
| N33LACNA40 | |
| N33LDHNA40 | |
| N33LHZNA40 | |
| N33LNBNA40 | |
| N33LRTNA40 | |
| N33LRTNX90 | |
| N33LVINA40 | |
| N33LVINA80 | |
| N33M000040 | |
| N33M000080 | |
| N33M000PL1 | |
| N33M000X92 | |
| N33M12N040 | |
| N33M8BN040 | |
| N33M8BNPL1 | |
| N33MACN040 | |
| N33MDHN040 | |

| Code | Gültigkeit |
|------------|------------|
| N33MHZN040 | |
| N33MNBN040 | |
| N33MNBN080 | |
| N33MRTN040 | |
| N33MRTNX92 | |
| N33MVIN040 | |
| N33MVIN080 | |

| Code | Nr. der Tafel | Pos. | Code | Nr. der Tafel | Pos. | Code | Nr. der Tafel | Pos. |
|---------|---------------|------|---------|---------------|------|---------|---------------|------|
| 000267 | 01.06 | 8 | 007631 | 01.12 | 4 | 016404 | 02.10 | 4 |
| 000292 | 01.21 | 5 | 007631 | 01.39 | 4 | 016406 | 01.20 | 3 |
| 000397 | 01.05 | 17 | 008112 | 01.12 | 2 | 016406 | 01.28 | 41 |
| 000480 | 01.05 | 2 | 008246 | 02.33 | 20 | 016406 | 02.04 | 14 |
| 000584 | 01.05 | 3 | 008327 | 01.05 | 16 | 016406 | 02.04 | 2 |
| 000675 | 02.11 | 44 | 008420 | 01.05 | 16 | 016406 | 02.47 | 12 |
| 001508 | 01.31 | 8 | 008432 | 01.45 | 18 | 016406 | 05.04 | 36 |
| 001821 | 01.06 | 4 | 008451 | 02.35 | 9 | 016406 | 06.06 | 16 |
| 002383 | 02.12 | 17 | 008451 | 03.02 | 17 | 016406 | 06.16 | 7 |
| 002438 | 02.12 | 18 | 008451 | 03.02 | 22 | 016407 | 01.07 | 6 |
| 002440 | 04.10 | 41 | 008451 | 05.03 | 22 | 016407 | 01.12 | 10 |
| 002800 | 04.07 | 27 | 008451 | 05.07 | 16 | 016408 | 01.46 | 32 |
| 003014 | 04.10 | 23 | 008499 | 01.05 | 16 | 016408 | 04.10 | 17 |
| 003054 | 05.04 | 28 | 008851 | 02.11 | 10 | 016408 | 04.11 | 2 |
| 003054 | 06.05 | 12 | 009101 | 01.31 | 10 | 016408 | 04.11 | 8 |
| 003055 | 01.45 | 3 | 0111094 | 04.07 | 23 | 016408 | 04.12 | 10 |
| 003055 | 01.45 | 9 | 011753 | 01.31 | 3 | 016408 | 04.12 | 4 |
| 003056 | 01.20 | 2 | 012112 | 06.06 | 11 | 016410 | 01.28 | 37 |
| 003056 | 01.28 | 40 | 012533 | 01.42 | 6 | 016410 | 02.10 | 10 |
| 003056 | 01.42 | 5 | 012533 | 06.06 | 4 | 016410 | 04.07 | 17 |
| 003056 | 02.17 | 13 | 012533 | 06.08 | 5 | 016410 | 04.07 | 29 |
| 003056 | 05.04 | 35 | 012535 | 02.05 | 3 | 016410 | 04.10 | 20 |
| 003056 | 06.16 | 6 | 012535 | 02.05 | 5 | 016410 | 04.11 | 5 |
| 003057 | 01.12 | 9 | 012536 | 05.02 | 9 | 016410 | 04.12 | 7 |
| 003058 | 02.10 | 12 | 012555 | 01.06 | 2 | 016604 | 02.17 | 8 |
| 003058 | 04.10 | 15 | 012761 | 02.17 | 10 | 016631 | 01.05 | 20 |
| 003058 | 04.10 | 16 | 012768 | 02.11 | 9 | 016670 | 02.11 | 25 |
| 003058 | 05.04 | 12 | 012768 | 05.07 | 11 | 016670 | 02.12 | 14 |
| 003058 | 05.04 | 9 | 013010 | 01.32 | 4 | 016670 | 02.12 | 8 |
| 003060 | 02.45 | 3 | 013754 | 06.06 | 12 | 016708 | 01.28 | 18 |
| 003060 | 02.45 | 6 | 013754 | 06.06 | 3 | 017017 | 01.40 | 28 |
| 0037514 | 04.07 | 22 | 013763 | 02.11 | 31 | 017019 | 01.28 | 24 |
| 003916 | 01.07 | 8 | 013763 | 02.33 | 19 | 017503 | 05.03 | 8 |
| 004515 | 01.05 | 5 | 013763 | 03.02 | 18 | 018509 | 01.12 | 12 |
| 005434 | 01.05 | 7 | 013836 | 02.33 | 14 | 018515 | 02.46 | 1 |
| 005955 | 01.28 | 29 | 013836 | 06.03 | 4 | 018519 | 03.02 | 6 |
| 005955 | 01.28 | 35 | 013843 | 05.03 | 11 | 018536 | 03.02 | 34 |
| 005962 | 01.32 | 6 | 013861 | 01.46 | 33 | 018592 | 02.19 | 5 |
| 005967 | 02.17 | 9 | 013880 | 02.04 | 9 | 018639 | 01.28 | 47 |
| 005970 | 05.03 | 10 | 013880 | 02.33 | 2 | 018639 | 01.42 | 10 |
| 005970 | 05.07 | 8 | 013950 | 02.04 | 10 | 018732 | 05.03 | 21 |
| 006018 | 03.02 | 14 | 013950 | 02.04 | 3 | 0193014 | 01.05 | 23 |
| 006018 | 03.06 | 13 | 014246 | 04.07 | 20 | 020007 | 01.05 | 19 |
| 006032 | 01.42 | 13 | 014417 | 02.04 | 11 | 020104 | 05.04 | 29 |
| 006078 | 03.02 | 3 | 015559 | 01.12 | 11 | 020105 | 01.45 | 11 |
| 006175 | 05.04 | 31 | 015582 | 04.10 | 35 | 020105 | 01.45 | 5 |
| 006379 | 01.31 | 17 | 015584 | 01.05 | 4 | 020106 | 01.18 | 8 |
| 006380 | 04.07 | 8 | 015646 | 01.05 | 16 | 020106 | 01.20 | 4 |
| 006425 | 01.31 | 9 | 015647 | 01.05 | 16 | 020106 | 01.28 | 39 |
| 006627 | 01.28 | 11 | 015715 | 03.02 | 2 | 020106 | 01.39 | 5 |
| 006632 | 04.07 | 28 | 015728 | 06.03 | 5 | 020106 | 01.42 | 7 |
| 006646 | 01.28 | 15 | 015859 | 02.11 | 12 | 020106 | 02.04 | 13 |
| 006647 | 01.05 | 12 | 015859 | 02.11 | 21 | 020106 | 02.04 | 8 |
| 006647 | 01.31 | 5 | 015859 | 02.11 | 48 | 020106 | 05.04 | 37 |
| 006647 | 04.10 | 30 | 015859 | 02.12 | 10 | 020106 | 05.07 | 14 |
| 006706 | 01.32 | 1 | 015859 | 02.12 | 12 | 020106 | 06.06 | 5 |
| 006707 | 01.28 | 32 | 015859 | 02.12 | 7 | 020106 | 06.08 | 6 |
| 006710 | 01.34 | 12 | 015859 | 05.04 | 44 | 020106 | 06.16 | 5 |
| 006731 | 04.07 | 3 | 015859 | 06.05 | 11 | 020107 | 01.05 | 14 |
| 006844 | 04.07 | 13 | 015911 | 02.11 | 29 | 020107 | 01.07 | 9 |
| 006965 | 01.21 | 4 | 015911 | 02.12 | 11 | 020108 | 04.10 | 18 |
| 006965 | 01.45 | 10 | 015911 | 03.02 | 28 | 020110 | 01.28 | 38 |
| 006965 | 01.45 | 4 | 015911 | 03.02 | 29 | 020110 | 02.05 | 4 |
| 006977 | 01.05 | 15 | 015911 | 03.02 | 32 | 020110 | 02.05 | 6 |
| 007035 | 01.31 | 1 | 015994 | 02.11 | 24 | 020110 | 04.07 | 30 |
| 007130 | 01.31 | 4 | 016036 | 01.05 | 8 | 020110 | 04.10 | 19 |
| 007563 | 04.10 | 29 | 016195 | 01.42 | 3 | 020110 | 04.10 | 39 |

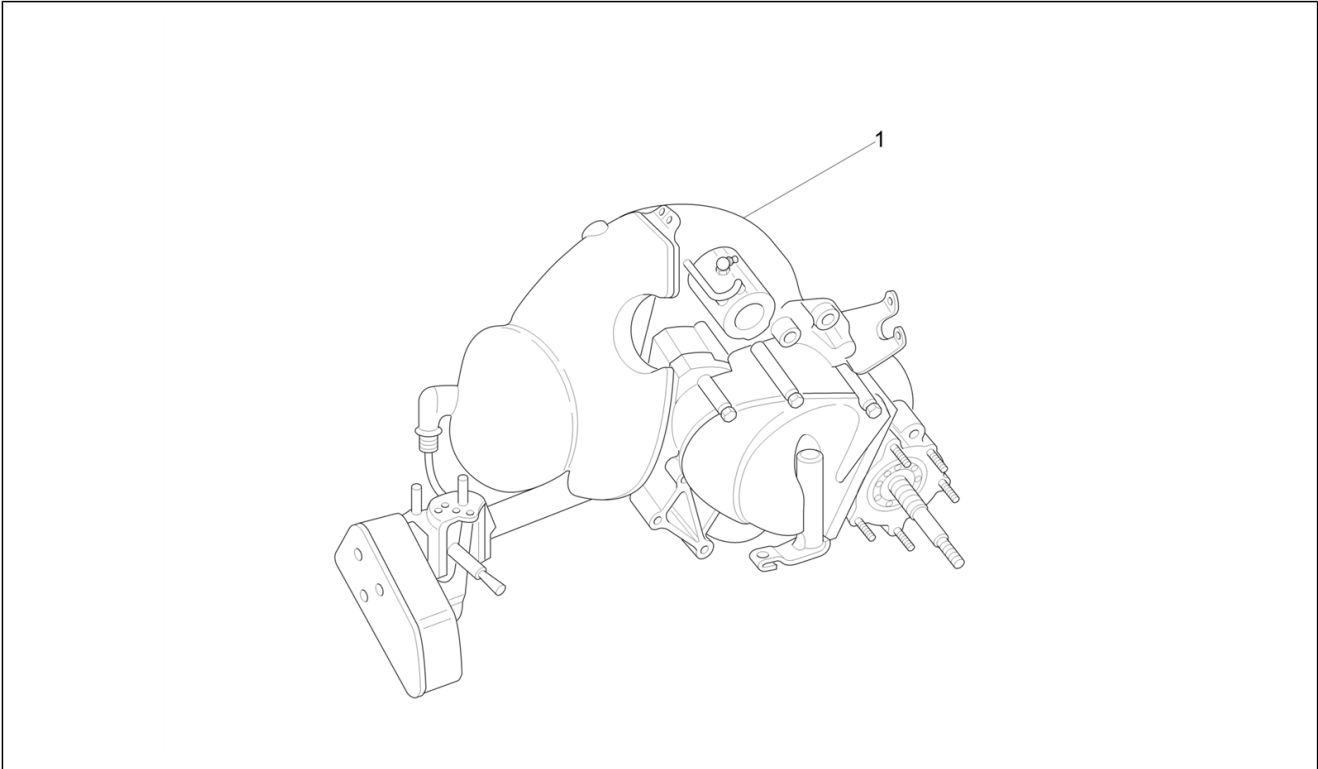
| Code | Nr. der Tafel | Pos. | Code | Nr. der Tafel | Pos. | Code | Nr. der Tafel | Pos. |
|---------|---------------|------|---------|---------------|------|---------|---------------|------|
| 020110 | 04.11 | 6 | 113906 | 01.40 | 4 | 121780 | 03.06 | 8 |
| 020110 | 04.12 | 8 | 115817 | 02.10 | 2 | 123389 | 03.06 | 21 |
| 020206 | 05.03 | 17 | 116097 | 04.10 | 24 | 123391 | 03.06 | 23 |
| 021110 | 04.07 | 18 | 116140 | 04.10 | 8 | 123394 | 03.06 | 20 |
| 021110 | 04.10 | 12 | 116147 | 01.28 | 8 | 1250834 | 01.31 | 2 |
| 021110 | 04.10 | 6 | 1161484 | 01.28 | 9 | 1252535 | 05.03 | 2 |
| 021112 | 01.06 | 1 | 116195 | 01.28 | 46 | 125254 | 05.03 | 5 |
| 021460 | 04.07 | 24 | 116229 | 01.28 | 28 | 125256 | 05.03 | 7 |
| 024201 | 02.11 | 8 | 116232 | 05.07 | 2 | 125647 | 05.03 | 6 |
| 024638 | 01.40 | 3 | 116238 | 01.28 | 22 | 125757 | 01.40 | 30 |
| 030062 | 01.28 | 42 | 116240 | 01.28 | 19 | 126283 | 01.28 | 13 |
| 030065 | 01.28 | 42 | 116241 | 01.28 | 16 | 126328 | 05.04 | 26 |
| 030081 | 05.04 | 8 | 116260 | 05.03 | 16 | 126409 | 04.07 | 31 |
| 030101 | 04.10 | 40 | 116260 | 05.07 | 19 | 126410 | 04.07 | 32 |
| 030104 | 01.28 | 36 | 116298 | 03.06 | 30 | 126612 | 03.06 | 27 |
| 031025 | 05.04 | 27 | 1163764 | 01.32 | 7 | 127050 | 01.40 | 1 |
| 031027 | 02.10 | 5 | 116378 | 01.32 | 3 | 127350 | 02.05 | 2 |
| 031056 | 03.02 | 13 | 116379 | 01.32 | 2 | 127966 | 06.06 | 8 |
| 031058 | 01.18 | 9 | 116627 | 02.17 | 5 | 128079 | 04.10 | 28 |
| 031059 | 03.06 | 12 | 116635 | 02.11 | 3 | 128080 | 04.10 | 27 |
| 031084 | 05.04 | 32 | 116693 | 01.28 | 30 | 128217 | 01.28 | 2 |
| 031086 | 01.12 | 1 | 116695 | 01.28 | 6 | 1349026 | 01.31 | 19 |
| 031086 | 02.10 | 7 | 116733 | 04.10 | 2 | 136371 | 05.04 | 33 |
| 031086 | 06.08 | 4 | 116736 | 01.28 | 26 | 1368076 | 01.28 | 10 |
| 031086 | 06.16 | 16 | 116737 | 01.28 | 27 | 136808 | 04.10 | 31 |
| 031089 | 02.33 | 3 | 116742 | 01.28 | 25 | 137144 | 04.07 | 5 |
| 031090 | 02.17 | 12 | 116946 | 02.12 | 16 | 137146 | 04.07 | 2 |
| 031091 | 02.04 | 4 | 117024 | 01.28 | 34 | 137347 | 03.06 | 15 |
| 031092 | 02.04 | 5 | 1170274 | 01.28 | 31 | 138345 | 01.05 | 18 |
| 031092 | 06.06 | 2 | 1172734 | 05.03 | 23 | 138393 | 01.31 | 11 |
| 031116 | 01.46 | 31 | 117368 | 01.45 | 12 | 140275 | 01.40 | 12 |
| 031120 | 04.10 | 14 | 117401 | 05.03 | 4 | 140435 | 05.03 | 20 |
| 046699 | 01.28 | 44 | 117402 | 05.03 | 3 | 141833 | 02.10 | 1 |
| 063440 | 05.02 | 10 | 1176124 | 05.07 | 7 | 145298 | 06.08 | 9 |
| 074419 | 04.10 | 9 | 117613 | 05.07 | 10 | 146197 | 01.18 | 7 |
| 074521 | 04.10 | 21 | 117614 | 05.07 | 12 | 146197 | 03.06 | 11 |
| 075962 | 05.03 | 30 | 117614 | 06.08 | 8 | 150110 | 01.31 | 18 |
| 078307 | 01.12 | 3 | 117615 | 05.07 | 13 | 150418 | 03.06 | 34 |
| 078307 | 01.23 | 2 | 117616 | 05.07 | 18 | 152067 | 01.40 | 10 |
| 078597 | 01.32 | 8 | 117625 | 04.10 | 34 | 152077 | 01.40 | 33 |
| 078783 | 04.10 | 36 | 118058 | 04.10 | 26 | 157716 | 03.02 | 8 |
| 078783 | 04.10 | 37 | 118259 | 03.02 | 12 | 157716 | 05.04 | 46 |
| 0789454 | 01.32 | 5 | 118578 | 02.04 | 6 | 163015 | 06.04 | 2 |
| 080341 | 06.06 | 7 | 118625 | 02.11 | 4 | 165417 | 01.31 | 11 |
| 085288 | 01.40 | 9 | 118648 | 02.04 | 12 | 165418 | 01.31 | 11 |
| 085291 | 01.40 | 15 | 118652 | 02.10 | 6 | 1654494 | 01.31 | 14 |
| 085294 | 01.40 | 8 | 118745 | 05.07 | 15 | 1654504 | 01.31 | 13 |
| 087975 | 01.45 | 7 | 118806 | 05.03 | 18 | 1654574 | 01.31 | 15 |
| 0900455 | 01.21 | 3 | 118872 | 02.04 | 15 | 165945 | 01.34 | 11 |
| 090131 | 01.05 | 10 | 118873 | 02.04 | 16 | 168407 | 01.28 | 3 |
| 090506 | 01.40 | 14 | 118917 | 02.17 | 6 | 174874 | 04.07 | 15 |
| 090742 | 02.17 | 7 | 119215 | 04.07 | 10 | 174874 | 04.10 | 10 |
| 098130 | 01.40 | 26 | 119216 | 04.07 | 6 | 174874 | 04.10 | 3 |
| 098134 | 01.40 | 17 | 119219 | 04.07 | 4 | 175074 | 02.11 | 19 |
| 098135 | 01.40 | 24 | 119344 | 01.28 | 33 | 177468 | 04.07 | 12 |
| 098138 | 01.40 | 18 | 119801 | 01.28 | 12 | 178559 | 02.46 | 5 |
| 098146 | 01.40 | 32 | 119839 | 02.33 | 16 | 178562 | 02.46 | 3 |
| 098148 | 01.40 | 19 | 119878 | 04.07 | 14 | 178709 | 03.06 | 9 |
| 098149 | 01.40 | 31 | 119940 | 04.10 | 32 | 180859 | 05.03 | 19 |
| 098433 | 01.40 | 20 | 119941 | 04.10 | 33 | 181746 | 06.03 | 9 |
| 099315 | 01.40 | 11 | 119981 | 01.28 | 4 | 181746 | 06.04 | 5 |
| 101422 | 05.07 | 9 | 1199851 | 01.28 | 20 | 182015 | 01.05 | 13 |
| 104296 | 01.05 | 22 | 119987 | 01.28 | 43 | 183321 | 05.03 | 29 |
| 109306 | 05.07 | 5 | 119989 | 01.28 | 45 | 184400 | 02.19 | 17 |
| 109309 | 05.07 | 6 | 119995 | 01.45 | 13 | 187305 | 02.11 | 43 |
| 109310 | 05.07 | 3 | 120073 | 01.40 | 34 | 190479 | 02.11 | 32 |
| 109961 | 01.45 | 14 | 121095 | 04.07 | 26 | 191002 | 05.04 | 42 |

| Code | Nr. der Tafel | Pos. | Code | Nr. der Tafel | Pos. | Code | Nr. der Tafel | Pos. |
|-----------|---------------|------|-----------|---------------|------|----------|---------------|------|
| 191962 | 02.04 | 1 | 1E002944 | 04.10 | 25 | 1E003282 | 03.06 | 28 |
| 194721 | 02.40 | 3 | 1E002946 | 04.12 | 6 | 1E003285 | 03.06 | 14 |
| 195482 | 06.16 | 12 | 1E0029515 | 04.10 | 13 | 1E003315 | 06.03 | 2 |
| 196380 | 01.40 | 7 | 1E0029535 | 04.10 | 13 | 1E003316 | 06.03 | 3 |
| 196692 | 01.40 | 5 | 1E002967 | 05.04 | 13 | 1E003317 | 06.03 | 13 |
| 196694 | 01.40 | 6 | 1E002969 | 05.04 | 10 | 1E003318 | 06.03 | 14 |
| 196868 | 02.52 | 4 | 1E002981 | 05.04 | 18 | 1E003411 | 02.38 | 4 |
| 1981012 | 02.10 | 9 | 1E002982 | 05.04 | 19 | 1E003514 | 02.45 | 2 |
| 199190 | 02.12 | 13 | 1E002985 | 05.04 | 22 | 1E003515 | 02.45 | 5 |
| 199915 | 01.40 | 16 | 1E002990 | 05.04 | 23 | 1R000423 | 04.11 | 1 |
| 1A010671 | 01.12 | 8 | 1E002991 | 05.04 | 41 | 1R000423 | 04.12 | 3 |
| 1A010674 | 01.12 | 7 | 1E002992 | 05.04 | 40 | 1R000468 | 06.03 | 7 |
| 1A010762 | 01.42 | 8 | 1E002993 | 05.04 | 38 | 1R000469 | 06.03 | 8 |
| 1A011335 | 01.05 | 6 | 1E002996 | 05.04 | 4 | 214801 | 06.05 | 6 |
| 1A011363 | 01.07 | 3 | 1E002997 | 05.04 | 25 | 216021 | 02.27 | 2 |
| 1A011388 | 01.07 | 5 | 1E003041 | 04.11 | 12 | 217166 | 02.10 | 13 |
| 1A011391 | 01.07 | 4 | 1E003041 | 04.12 | 12 | 220549 | 01.45 | 15 |
| 1A011393 | 01.42 | 1 | 1E003042 | 02.11 | 33 | 226352 | 03.06 | 26 |
| 1A011416 | 01.39 | 6 | 1E003045 | 02.11 | 34 | 228663 | 04.11 | 10 |
| 1A011421 | 01.46 | 30 | 1E003046 | 06.16 | 15 | 228663 | 04.12 | 2 |
| 1A011422 | 01.46 | 18 | 1E003047 | 02.33 | 17 | 229524 | 06.16 | 10 |
| 1A011423 | 01.46 | 16 | 1E003052 | 02.37 | 1 | 229741 | 03.06 | 25 |
| 1A011424 | 01.46 | 21 | 1E003058 | 05.04 | 43 | 229741 | 03.06 | 6 |
| 1A011425 | 01.46 | 25 | 1E003062 | 02.47 | 1 | 229935 | 03.06 | 22 |
| 1A011426 | 01.46 | 28 | 1E003064 | 02.47 | 3 | 231726 | 02.27 | 5 |
| 1A011427 | 01.46 | 24 | 1E003065 | 02.47 | 6 | 2325715 | 02.02 | 6 |
| 1A011428 | 01.39 | 2 | 1E0030665 | 03.06 | 1 | 232679 | 02.11 | 47 |
| 1A011442 | 01.45 | 1 | 1E003080 | 02.11 | 1 | 232679 | 02.27 | 6 |
| 1A011446 | 01.46 | 19 | 1E003083 | 02.11 | 2 | 233006 | 05.04 | 34 |
| 1A011448 | 01.45 | 16 | 1E003087 | 06.16 | 4 | 234471 | 02.27 | 3 |
| 1A011449 | 01.46 | 11 | 1E003098 | 06.16 | 18 | 235661 | 02.47 | 7 |
| 1A011477 | 01.39 | 1 | 1E003112 | 05.02 | 17 | 239275 | 01.34 | 7 |
| 1A011525 | 01.40 | 29 | 1E003113 | 05.02 | 18 | 240199 | 01.40 | 23 |
| 1A0115825 | 01.05 | 1 | 1E003114 | 05.02 | 18 | 2411493 | 02.05 | 1 |
| 1A0115865 | 01.07 | 1 | 1E003115 | 05.07 | 17 | 2425815 | 01.31 | 16 |
| 1A011811 | 01.12 | 13 | 1E003118 | 05.02 | 14 | 243710 | 02.17 | 14 |
| 1A011907 | 06.06 | 6 | 1E003120 | 05.02 | 11 | 243831 | 01.45 | 17 |
| 1A011929 | 01.42 | 11 | 1E003121 | 05.02 | 11 | 244297 | 01.31 | 7 |
| 1A014197 | 01.39 | 2 | 1E003128 | 05.04 | 20 | 244395 | 01.12 | 6 |
| 1A0142145 | 01.05 | 1 | 1E003129 | 05.04 | 21 | 244395 | 06.06 | 9 |
| 1A014215 | 01.05 | 3 | 1E003134 | 02.35 | 4 | 244474 | 02.33 | 6 |
| 1A014316 | 01.39 | 3 | 1E0031345 | 02.02 | 12 | 244585 | 06.06 | 13 |
| 1A014336 | 01.46 | 34 | 1E003141 | 05.03 | 1 | 245201 | 01.40 | 13 |
| 1A014343 | 01.46 | 19 | 1E003149 | 04.11 | 7 | 2452374 | 01.06 | 5 |
| 1A014348 | 01.39 | 1 | 1E003149 | 04.12 | 9 | 245632 | 01.40 | 25 |
| 1A014380 | 01.40 | 7 | 1E003174 | 03.06 | 18 | 245633 | 01.40 | 22 |
| 1D001143 | 06.08 | 7 | 1E003184 | 03.06 | 2 | 246387 | 02.10 | 8 |
| 1D001433 | 06.05 | 8 | 1E003186 | 03.06 | 19 | 246616 | 02.10 | 3 |
| 1D001587R | 06.01 | 1 | 1E003187 | 02.37 | 6 | 2469812 | 02.10 | 14 |
| 1D001588R | 06.01 | 3 | 1E003196 | 02.11 | 45 | 2469845 | 02.04 | 7 |
| 1D001636 | 06.05 | 13 | 1E003197 | 02.11 | 35 | 2485145 | 01.28 | 1 |
| 1D001966 | 01.20 | 1 | 1E003208 | 06.16 | 20 | 250626 | 06.04 | 6 |
| 1D002518 | 06.08 | 1 | 1E003209 | 06.16 | 21 | 252772 | 06.08 | 2 |
| 1D002520 | 06.01 | 4 | 1E003210 | 06.16 | 11 | 254485 | 02.52 | 8 |
| 1D002521 | 03.02 | 1 | 1E003211 | 06.16 | 8 | 255799 | 02.47 | 13 |
| 1D002522 | 02.47 | 4 | 1E003212 | 06.16 | 9 | 255800 | 02.47 | 10 |
| 1D002593 | 06.08 | 10 | 1E003217 | 06.16 | 22 | 2560755 | 02.35 | 2 |
| 1D002696 | 06.03 | 6 | 1E003218 | 06.16 | 23 | 256194 | 06.04 | 4 |
| 1E000024 | 02.11 | 15 | 1E003219 | 06.16 | 24 | 256382 | 03.02 | 35 |
| 1E000025 | 02.11 | 14 | 1E003220 | 06.16 | 19 | 256382 | 03.02 | 7 |
| 1E001264 | 03.06 | 5 | 1E003228 | 02.38 | 1 | 256382 | 05.04 | 45 |
| 1E001948 | 05.04 | 15 | 1E003234 | 06.03 | 1 | 256415 | 02.47 | 14 |
| 1E002760 | 02.45 | 1 | 1E003235 | 03.02 | 25 | 256416 | 02.47 | 15 |
| 1E002761 | 02.45 | 4 | 1E003236 | 03.02 | 4 | 257094 | 02.10 | 11 |
| 1E0029305 | 04.07 | 1 | 1E0032425 | 03.06 | 1 | 258407 | 02.33 | 13 |
| 1E0029355 | 04.07 | 25 | 1E003254 | 03.01 | 1 | 2586375 | 02.35 | 3 |
| 1E002936 | 04.11 | 4 | 1E003255 | 03.02 | 9 | 258639 | 05.03 | 12 |

| Code | Nr. der Tafel | Pos. | Code | Nr. der Tafel | Pos. | Code | Nr. der Tafel | Pos. |
|---------|---------------|------|----------|---------------|------|---------|---------------|------|
| 258641 | 05.03 | 13 | 289305 | 01.05 | 11 | 567170 | 02.33 | 12 |
| 258646 | 05.03 | 15 | 289306 | 01.05 | 9 | 567174 | 02.11 | 23 |
| 258656 | 05.07 | 1 | 289613 | 01.34 | 15 | 567177 | 02.33 | 5 |
| 258657 | 05.07 | 4 | 2898774 | 01.34 | 14 | 567178 | 02.33 | 4 |
| 258827 | 05.03 | 9 | 2898935 | 01.34 | 13 | 567179 | 02.11 | 28 |
| 260467 | 04.10 | 11 | 290944 | 06.04 | 3 | 567185 | 02.11 | 27 |
| 260467 | 04.10 | 38 | 291447 | 03.02 | 15 | 567192 | 06.04 | 1 |
| 260467 | 04.10 | 5 | 291582 | 02.46 | 2 | 567195 | 03.02 | 5 |
| 261400 | 03.06 | 32 | 293556 | 02.37 | 5 | 567424 | 06.05 | 5 |
| 261401 | 02.12 | 9 | 294145 | 06.03 | 11 | 567426 | 06.05 | 3 |
| 261402 | 02.12 | 15 | 294146 | 06.03 | 11 | 567427 | 04.07 | 16 |
| 261405 | 02.11 | 13 | 295331 | 01.45 | 6 | 567427 | 04.10 | 4 |
| 261688 | 03.06 | 7 | 297498 | 02.11 | 30 | 567427 | 04.10 | 7 |
| 263372 | 03.02 | 26 | 297498 | 02.33 | 15 | 567461 | 05.04 | 5 |
| 2640735 | 02.02 | 2 | 297791 | 06.05 | 4 | 567498R | 06.01 | 5 |
| 2640745 | 02.02 | 3 | 298930 | 02.33 | 7 | 567558 | 02.11 | 50 |
| 264081 | 02.35 | 6 | 2B002254 | 01.46 | 23 | 567601 | 02.11 | 39 |
| 264081 | 03.02 | 23 | 311163 | 01.18 | 4 | 567602 | 02.11 | 46 |
| 264082 | 02.35 | 7 | 401605 | 06.06 | 15 | 567603 | 02.11 | 40 |
| 264082 | 03.02 | 21 | 401606 | 06.06 | 14 | 567604 | 02.11 | 38 |
| 264087 | 06.03 | 10 | 433122 | 01.42 | 2 | 567605 | 02.11 | 20 |
| 264088 | 06.03 | 10 | 4344714 | 01.28 | 21 | 567606 | 02.11 | 37 |
| 264097 | 02.33 | 9 | 4344724 | 01.28 | 17 | 567610 | 02.11 | 49 |
| 2641105 | 02.02 | 4 | 4363951 | 01.31 | 6 | 567839 | 02.37 | 2 |
| 2641105 | 02.35 | 5 | 478533 | 01.46 | 6 | 567920 | 05.04 | 7 |
| 264151 | 02.35 | 8 | 482290 | 05.04 | 30 | 5686105 | 02.02 | 5 |
| 264151 | 03.02 | 20 | 482746 | 01.18 | 5 | 568790 | 06.16 | 14 |
| 264165 | 02.33 | 8 | 482747 | 01.18 | 6 | 568931 | 04.07 | 19 |
| 264252 | 02.02 | 7 | 482748 | 01.06 | 3 | 568932 | 04.07 | 21 |
| 264252 | 02.12 | 6 | 486942 | 01.46 | 2 | 568933 | 04.07 | 7 |
| 264520 | 02.12 | 4 | 486943 | 01.46 | 3 | 568934 | 04.07 | 9 |
| 264740 | 02.19 | 14 | 500501 | 01.06 | 7 | 568939 | 03.02 | 24 |
| 264741 | 02.19 | 11 | 500502 | 01.06 | 7 | 569215 | 03.06 | 14 |
| 264742 | 02.19 | 13 | 500503 | 01.06 | 7 | 569383 | 02.19 | 16 |
| 264743 | 02.19 | 10 | 500504 | 01.06 | 7 | 569384 | 02.19 | 19 |
| 264778 | 02.19 | 12 | 55568R | 02.39 | 1 | 569562 | 02.38 | 3 |
| 264783 | 02.19 | 18 | 561865 | 02.39 | 2 | 569564 | 02.38 | 3 |
| 264785 | 02.19 | 2 | 56500R | 04.11 | 11 | 573080 | 02.52 | 2 |
| 264948 | 02.19 | 6 | 56500R | 04.12 | 1 | 574362 | 02.52 | 3 |
| 264949 | 02.19 | 7 | 56537R | 02.13 | 1 | 575249 | 02.52 | 7 |
| 265728 | 03.06 | 3 | 5653886 | 02.17 | 4 | 577029 | 02.11 | 36 |
| 265860 | 03.06 | 4 | 56539R | 06.05 | 9 | 577557 | 02.52 | 5 |
| 269134 | 02.37 | 8 | 565497 | 02.11 | 7 | 58090R5 | 06.06 | 1 |
| 269134 | 06.16 | 17 | 565779 | 02.17 | 11 | 581149 | 06.05 | 1 |
| 269170 | 02.37 | 7 | 565869 | 02.19 | 3 | 58115R | 06.05 | 7 |
| 272176 | 01.42 | 14 | 56597R | 04.10 | 1 | 612757 | 02.27 | 1 |
| 272382 | 03.06 | 24 | 566871 | 02.39 | 3 | 612790 | 05.03 | 27 |
| 272842 | 01.46 | 14 | 566918 | 02.19 | 8 | 612791 | 01.40 | 2 |
| 277916 | 01.34 | 5 | 566919 | 02.19 | 20 | 632056 | 05.04 | 3 |
| 2854214 | 01.28 | 7 | 566920 | 02.19 | 1 | 642204 | 01.21 | 1 |
| 2854224 | 01.31 | 12 | 566924 | 02.19 | 15 | 642205 | 01.21 | 2 |
| 2854244 | 01.28 | 14 | 566925 | 02.19 | 21 | 6426795 | 06.01 | 2 |
| 2855124 | 01.28 | 5 | 566926 | 02.19 | 9 | 645581 | 06.05 | 2 |
| 2859741 | 01.34 | 17 | 566941 | 02.19 | 4 | 646259 | 02.11 | 42 |
| 2860135 | 01.34 | 16 | 566960 | 02.52 | 1 | 646463 | 04.07 | 11 |
| 2860144 | 01.34 | 18 | 566962 | 02.52 | 6 | 652001 | 05.04 | 6 |
| 286018 | 01.34 | 20 | 567066 | 06.03 | 12 | 658207 | 03.06 | 16 |
| 286019 | 01.34 | 19 | 567083 | 05.03 | 28 | 658208 | 03.06 | 17 |
| 2860245 | 01.34 | 4 | 567106 | 06.04 | 7 | 660543 | 02.11 | 11 |
| 286101 | 01.34 | 10 | 5671115 | 02.35 | 1 | 660950 | 06.16 | 13 |
| 286231 | 03.06 | 35 | 567148 | 02.11 | 17 | 661178 | 02.27 | 4 |
| 2862975 | 01.34 | 21 | 567149 | 02.11 | 18 | 709037 | 05.03 | 14 |
| 286406 | 01.34 | 3 | 567152 | 02.11 | 5 | 709674 | 02.47 | 11 |
| 2885075 | 01.34 | 8 | 567154 | 02.11 | 6 | 810688 | 04.11 | 3 |
| 288611 | 03.06 | 33 | 567166 | 02.11 | 22 | 810688 | 04.11 | 9 |
| 288837 | 01.42 | 4 | 567168 | 02.33 | 1 | 810688 | 04.12 | 11 |
| 2892325 | 01.28 | 23 | 567169 | 02.33 | 11 | 810688 | 04.12 | 5 |

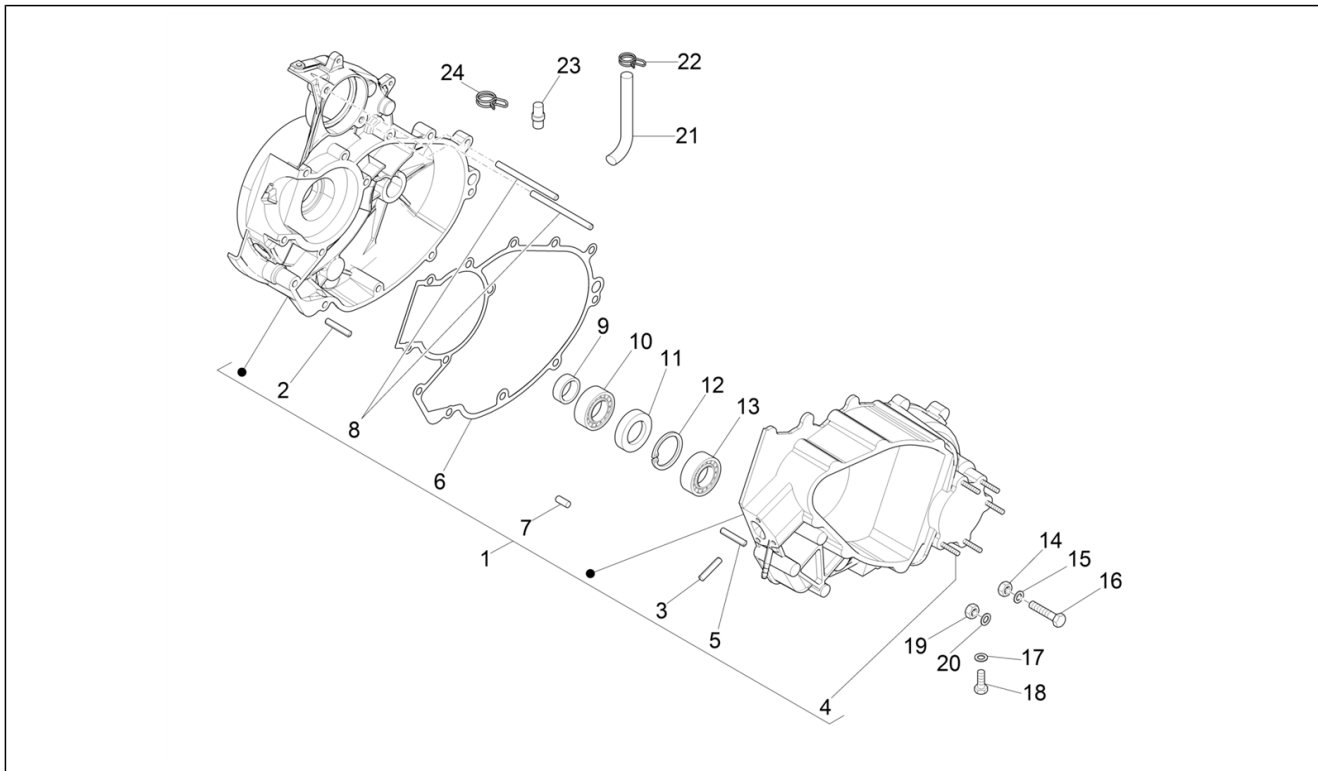
| Code | Nr. der Tafel | Pos. | Code | Nr. der Tafel | Pos. | Code | Nr. der Tafel | Pos. |
|---------------|---------------|------|-----------|---------------|------|-------------|---------------|------|
| 82606R | 01.18 | 1 | CM002306 | 01.05 | 21 | CM300501 | 02.11 | 53 |
| 826118 | 01.45 | 8 | CM002503 | 02.47 | 9 | CM300502 | 02.11 | 53 |
| 826911 | 01.07 | 7 | CM002901 | 01.46 | 29 | CM300601 | 02.40 | 1 |
| 827208 | 01.46 | 10 | CM002904 | 01.46 | 20 | CM300602 | 02.40 | 1 |
| 827209 | 01.46 | 5 | CM002904 | 01.46 | 27 | D9004183025 | 03.01 | 4 |
| 827443 | 01.46 | 7 | CM002905 | 01.05 | 24 | D9356055014 | 02.12 | 5 |
| 827444 | 01.46 | 8 | CM002905 | 01.46 | 17 | | | |
| 82758R | 01.46 | 4 | CM002905 | 01.46 | 26 | | | |
| 8318591 | 01.46 | 1 | CM002907 | 02.47 | 8 | | | |
| 834295 | 01.12 | 5 | CM007428 | 03.02 | 16 | | | |
| 834751 | 01.23 | 1 | CM017401 | 03.02 | 33 | | | |
| 840782 | 01.42 | 9 | CM017408 | 02.33 | 18 | | | |
| 8462675 | 01.06 | 6 | CM017408 | 03.02 | 27 | | | |
| 871561 | 01.34 | 2 | CM017408 | 03.02 | 30 | | | |
| 8715765 | 01.34 | 9 | CM017410 | 02.11 | 26 | | | |
| 871825 | 01.46 | 13 | CM017414 | 03.06 | 31 | | | |
| 873214 | 01.39 | 3 | CM017416 | 02.33 | 10 | | | |
| 879434 | 01.07 | 2 | CM0314011 | 02.17 | 3 | | | |
| 9004468091000 | 03.01 | 2 | CM0314021 | 02.17 | 2 | | | |
| 9356055014000 | 02.12 | 3 | CM0314031 | 02.17 | 3 | | | |
| AP8113003 | 05.04 | 24 | CM0314041 | 02.17 | 2 | | | |
| B001543 | 05.04 | 17 | CM031701 | 02.47 | 2 | | | |
| B003002 | 05.02 | 14 | CM061802 | 06.08 | 3 | | | |
| B003002 | 05.02 | 4 | CM082207 | 02.02 | 10 | | | |
| B003003 | 05.02 | 15 | CM082208 | 02.02 | 9 | | | |
| B003003 | 05.02 | 5 | CM082209 | 02.02 | 8 | | | |
| B003004 | 05.02 | 13 | CM082210 | 02.02 | 11 | | | |
| B003004 | 05.02 | 3 | CM101509 | 01.18 | 3 | | | |
| B003008 | 05.02 | 6 | CM101605 | 01.18 | 2 | | | |
| B003010 | 05.02 | 18 | CM140623 | 01.40 | 21 | | | |
| B003012 | 05.02 | 16 | CM140624 | 01.40 | 21 | | | |
| B003013 | 05.02 | 18 | CM255505 | 02.11 | 16 | | | |
| B003017 | 05.02 | 8 | CM255507 | 02.10 | 15 | | | |
| B003326 | 05.02 | 1 | CM287314 | 03.06 | 29 | | | |
| B003327 | 05.02 | 12 | CM287316 | 02.37 | 4 | | | |
| B003327 | 05.02 | 2 | CM287316 | 05.04 | 16 | | | |
| B004721 | 06.16 | 1 | CM287320 | 02.37 | 3 | | | |
| B004722 | 06.16 | 2 | CM287320 | 02.40 | 4 | | | |
| B005354 | 05.04 | 39 | CM288712 | 01.12 | 14 | | | |
| B006509 | 05.02 | 7 | CM288712 | 01.23 | 3 | | | |
| B007155 | 02.11 | 41 | CM288816 | 03.01 | 3 | | | |
| B007157 | 03.02 | 19 | CM288916 | 03.02 | 10 | | | |
| B007160 | 06.06 | 10 | CM288916 | 06.16 | 3 | | | |
| B007353 | 06.05 | 14 | CM289420 | 05.04 | 14 | | | |
| B007702 | 03.06 | 10 | CM2952015 | 01.02 | 1 | | | |
| B007895 | 02.12 | 1 | CM2952025 | 01.02 | 1 | | | |
| B007909 | 02.12 | 2 | CM2974015 | 02.17 | 1 | | | |
| B014245 | 01.45 | 2 | CM2974025 | 02.17 | 1 | | | |
| B015237 | 01.40 | 27 | CM2974035 | 02.17 | 1 | | | |
| B016773 | 01.42 | 12 | CM2994015 | 02.02 | 1 | | | |
| B016774 | 01.34 | 6 | CM2994025 | 02.02 | 1 | | | |
| B017344 | 01.31 | 20 | CM2994035 | 02.02 | 1 | | | |
| B018214 | 01.34 | 1 | CM299601 | 03.02 | 11 | | | |
| B023231 | 02.46 | 6 | CM299602 | 03.02 | 31 | | | |
| B023531 | 02.47 | 5 | CM2999015 | 02.01 | 1 | | | |
| B023653 | 02.46 | 4 | CM2999025 | 02.01 | 1 | | | |
| B025153 | 02.38 | 2 | CM2999035 | 02.01 | 3 | | | |
| B025161 | 06.05 | 10 | CM2999045 | 02.01 | 2 | | | |
| B042438 | 04.07 | 33 | CM2999055 | 02.01 | 1 | | | |
| B042438 | 04.10 | 22 | CM300201 | 02.40 | 2 | | | |
| B073800 | 05.04 | 11 | CM300202 | 02.40 | 2 | | | |
| B074999 | 05.04 | 2 | CM300301 | 02.40 | 1 | | | |
| B075485 | 05.04 | 1 | CM300302 | 02.40 | 1 | | | |
| CM001901 | 01.46 | 22 | CM300401 | 02.11 | 51 | | | |
| CM001904 | 01.46 | 15 | CM300402 | 02.11 | 52 | | | |
| CM001905 | 01.46 | 12 | CM300403 | 02.11 | 51 | | | |
| CM001905 | 01.46 | 9 | CM300404 | 02.11 | 52 | | | |

| | |
|---------------------|-----------------|
| Einheit | Motor |
| Code | 01.02 |
| Beschreibung | Motor, komplett |
| Inspektion | 1 |



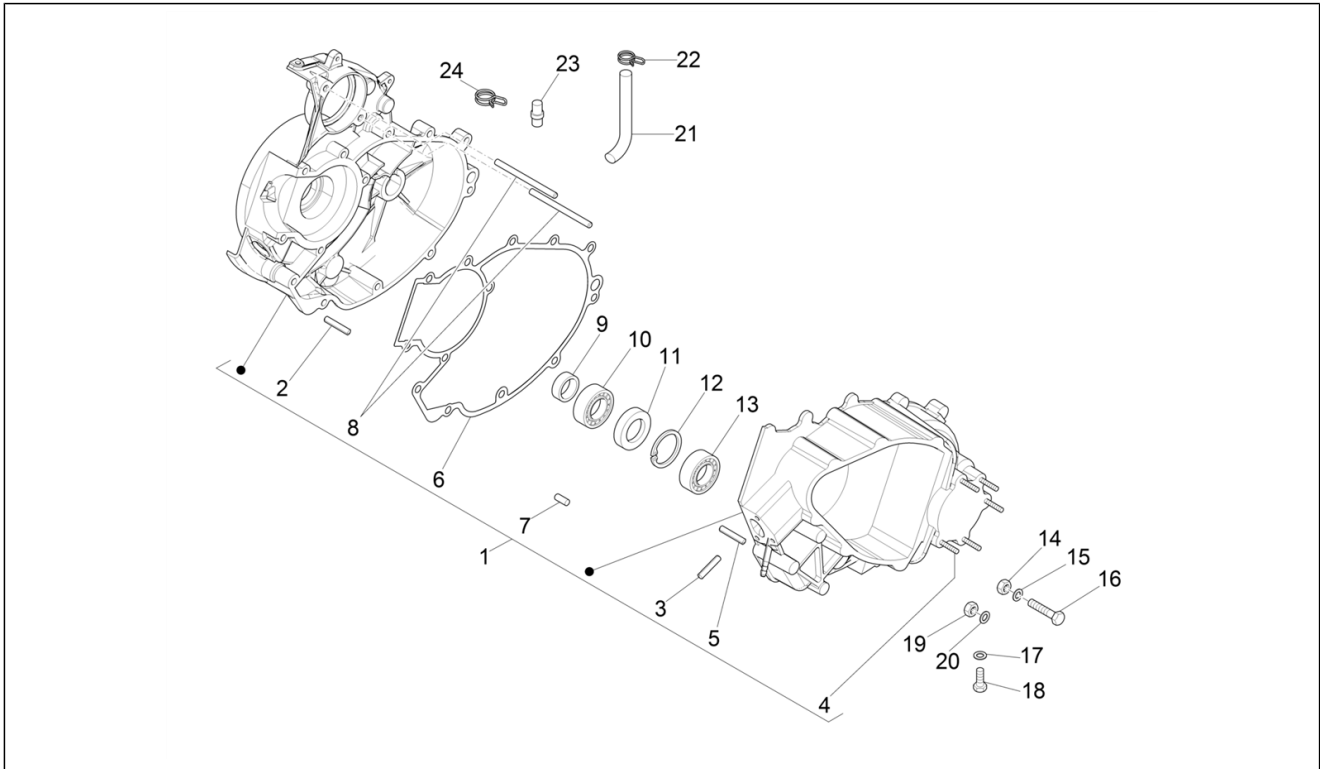
| Pos. | Code | Beschreibung | Menge | Varianten |
|------|-----------|--------------------------|-------|--|
| 1 | CM2952025 | Complete engine 50 2S E4 | 1 | Modellversion: Limited speed version (25 Km/h)[25 Km/h] |
| 1 | CM2952015 | Complete engine 50 2S E4 | 1 | |

| | |
|---------------------|---------------------|
| Einheit | Motor |
| Code | 01.05 |
| Beschreibung | Kurbelwellengehäuse |
| Inspektion | 1 |



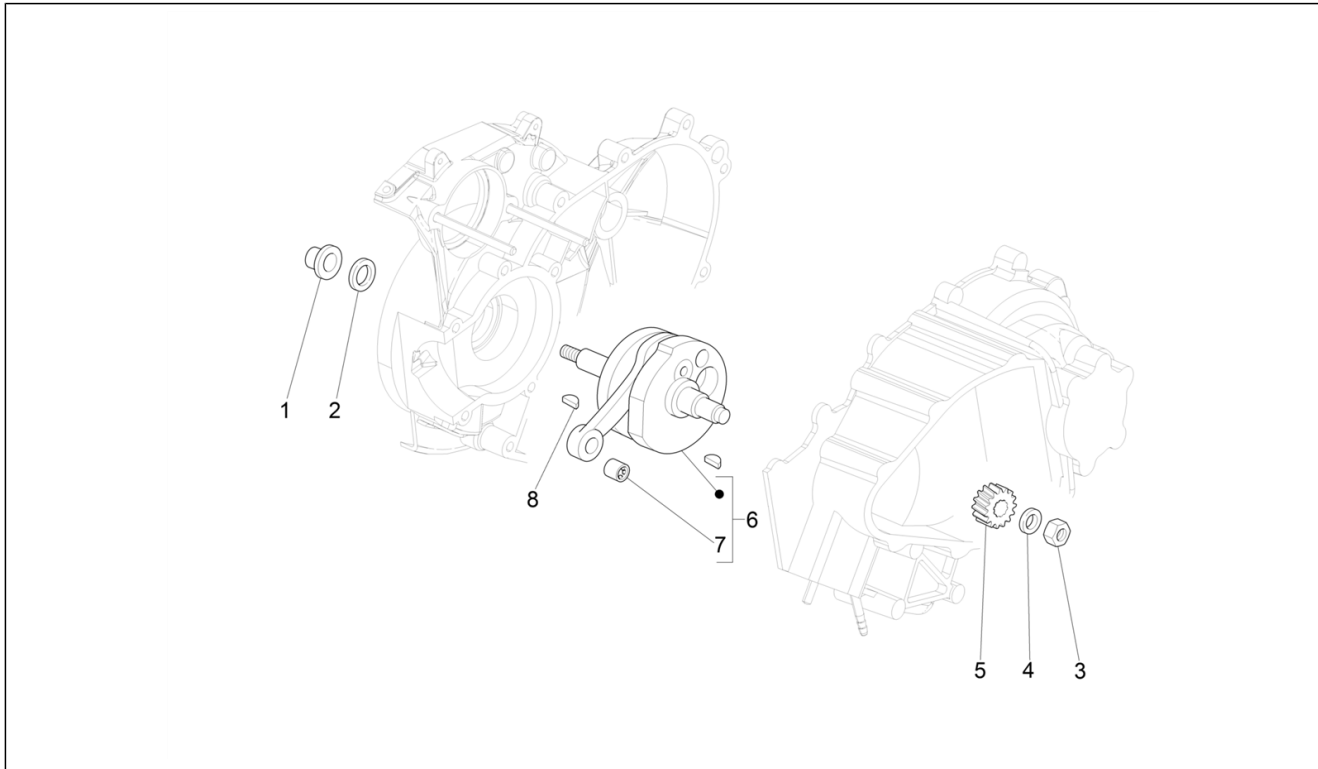
| Pos. | Code | Beschreibung | Menge | Varianten |
|------|-----------|------------------------|-------|--|
| 1 | 1A0115825 | | 1 | |
| 1 | 1A0142145 | | 1 | Modellversion: Limited speed version (25 Km/h)[25 Km/h] |
| 2 | 000480 | Stiftschraube | 4 | |
| 3 | 000584 | Stiftschraube | 3 | |
| 3 | 1A014215 | Stiftschraube | 3 | Modellversion: Limited speed version (25 Km/h)[25 Km/h] |
| 4 | 015584 | Schraube | 5 | |
| 5 | 004515 | Stiftschraube | 2 | |
| 6 | 1A011335 | Dichtung Gehäusehälfte | 1 | |
| 7 | 005434 | Haltestein | 1 | |
| 8 | 016036 | Stiftschraube | 2 | |
| 9 | 289306 | Ring | 1 | |
| 10 | 090131 | Lager | 1 | |
| 11 | 289305 | Ring | 1 | |
| 12 | 006647 | Seegerring | 1 | |
| 13 | 182015 | Nadelhülse | 1 | |
| 14 | 020107 | Mutter | 4 | |
| 15 | 006977 | Unterlegscheibe | 13 | |
| 16 | 015646 | Schraubbolzen | 2 | |
| 16 | 008420 | Schraubbolzen | 6 | |
| 16 | 008327 | Schraubbolzen | 1 | |
| 16 | 015647 | Schraubbolzen | 1 | |
| 16 | 008499 | Schraubbolzen | 1 | |
| 17 | 000397 | Dichtung | 2 | |
| 18 | 138345 | Ölschraube | 2 | |
| 19 | 020007 | Mutter | 3 | |
| 20 | 016631 | Unterlegscheibe | 2 | |
| 21 | CM002306 | Benzinleitung | 1 | |
| 22 | 104296 | Federklammer | 1 | |

| | |
|---------------------|---------------------|
| Einheit | Motor |
| Code | 01.05 |
| Beschreibung | Kurbelwellengehäuse |
| Inspektion | 1 |



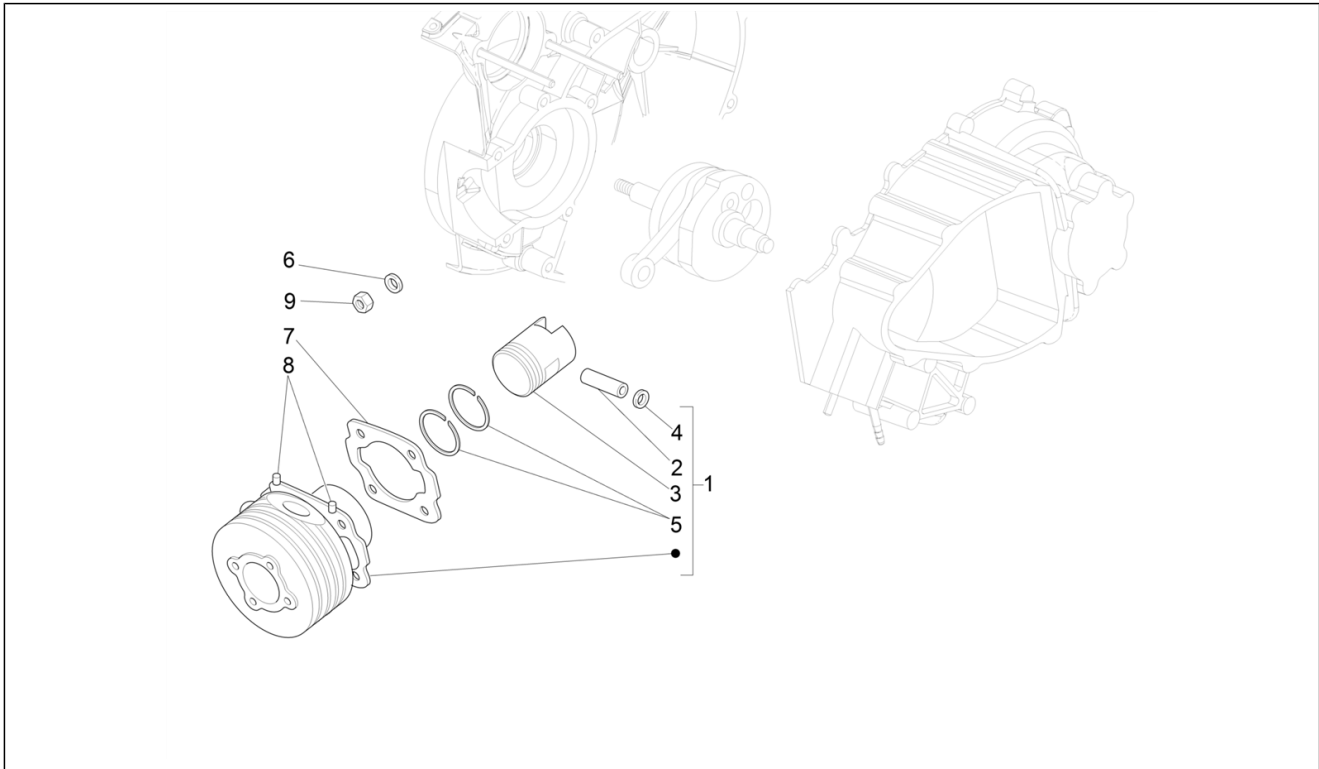
| Pos. | Code | Beschreibung | Menge | Varianten |
|------|----------|-----------------|-------|-----------|
| 23 | 0193014 | Entlüfter | 1 | |
| 24 | CM002905 | Schlauchschelle | 1 | |

| | |
|---------------------|-------------|
| Einheit | Motor |
| Code | 01.06 |
| Beschreibung | Kurbelwelle |
| Inspektion | 1 |



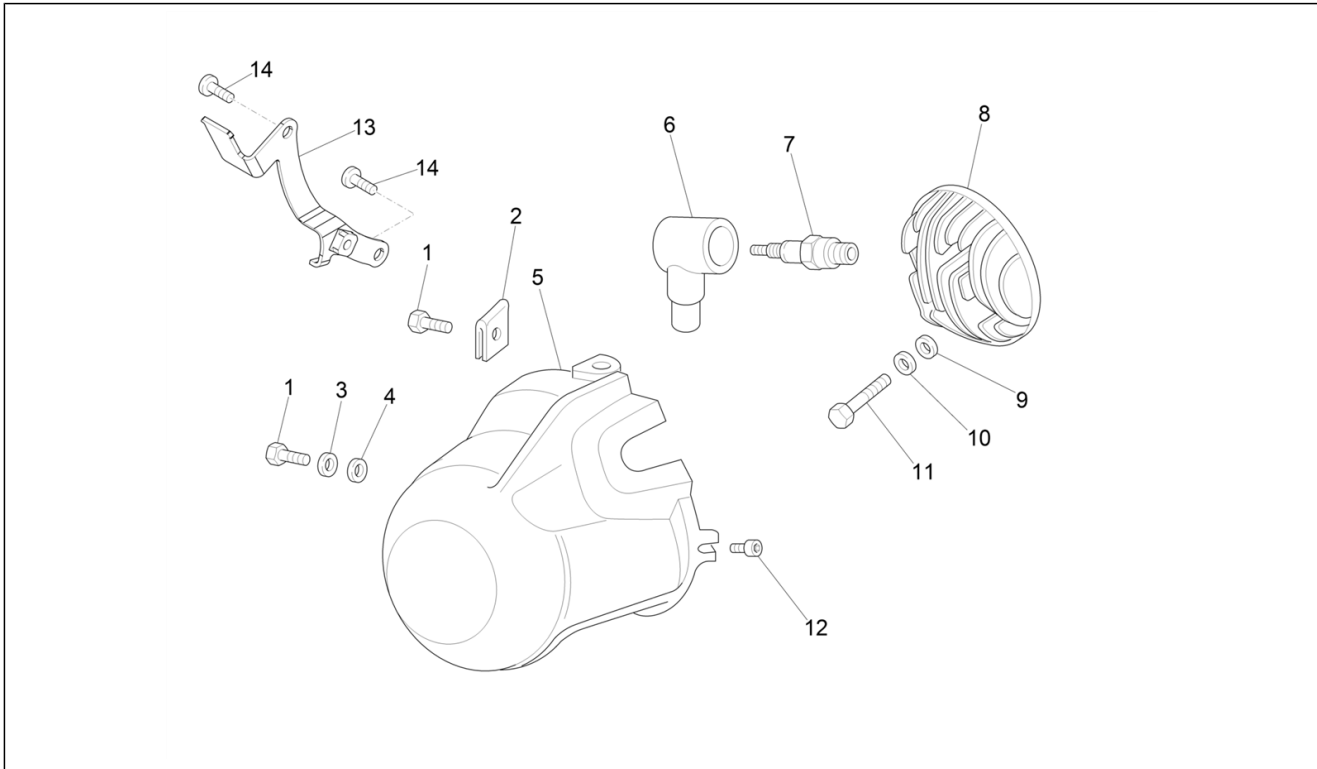
| Pos. | Code | Beschreibung | Menge | Varianten |
|------|---------|-------------------------|-------|-----------|
| 1 | 021112 | Mutter | 1 | |
| 2 | 012555 | Unterlegscheibe | 1 | |
| 3 | 482748 | Mutter | 1 | |
| 4 | 001821 | Unterlegscheibe | 1 | |
| 5 | 2452374 | Antriebszahnrad | 1 | |
| 6 | 8462675 | Kurbelwelle kpl. | 1 | |
| 7 | 500501 | Käfig auf Bolzen 1 cat. | 1 | |
| 7 | 500502 | Käfig auf Bolzen 2 cat. | 1 | |
| 7 | 500503 | Käfig auf Bolzen 3 cat. | 1 | |
| 7 | 500504 | Käfig auf Bolzen 4 cat. | 1 | |
| 8 | 000267 | Keil | 1 | |

| | |
|---------------------|--------------------------------------|
| Einheit | Motor |
| Code | 01.07 |
| Beschreibung | Einheit Zylinder-Kolben-Kolbenbolzen |
| Inspektion | 1 |



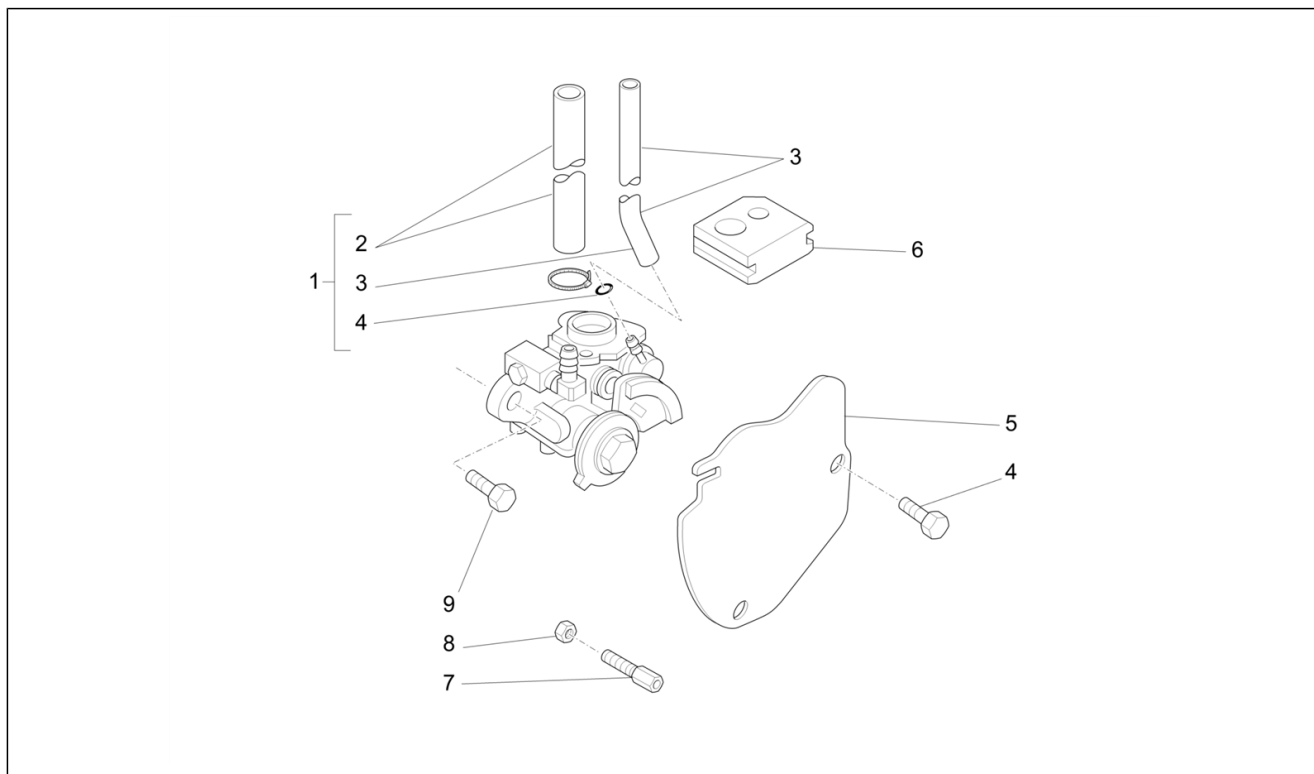
| Pos. | Code | Beschreibung | Menge | Varianten |
|------|-----------|--|-------|-----------|
| 1 | 1A0115865 | Einheit Zylinder – Kolben - Kolbenbolzen | 1 | |
| 2 | 879434 | Bolzen | 1 | |
| 3 | 1A011363 | Kolben komplett | 1 | |
| 4 | 1A011391 | Rückhaltering Kolbenbolzen | 2 | |
| 5 | 1A011388 | Kolbendichtring | 2 | |
| 6 | 016407 | Unterlegscheibe | 8 | |
| 7 | 826911 | Zylinderdichtung | 1 | |
| 8 | 003916 | Stiftschraube | 2 | |
| 9 | 020107 | Mutter | 4 | |

| | |
|---------------------|-----------------------|
| Einheit | Motor |
| Code | 01.12 |
| Beschreibung | Zylinderkopfabdeckung |
| Inspektion | 1 |



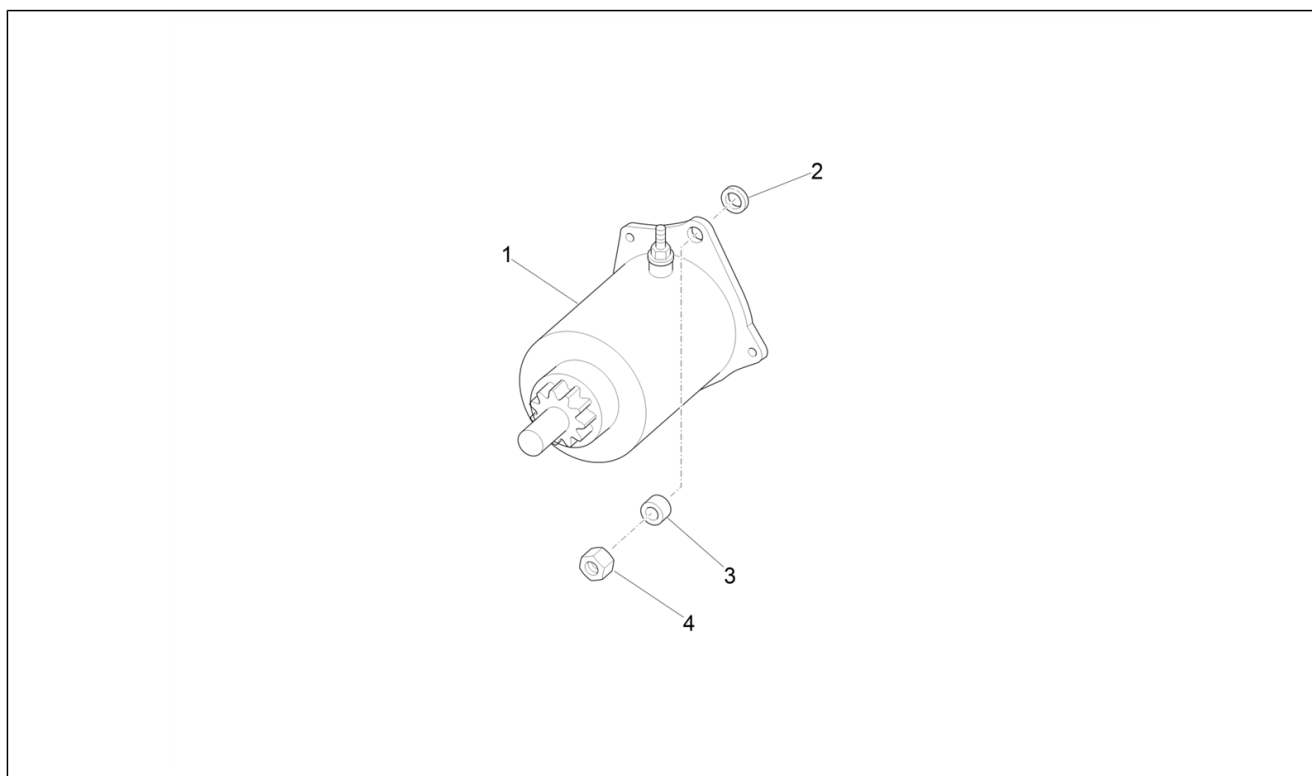
| Pos. | Code | Beschreibung | Menge | Varianten |
|------|----------|--------------------------|-------|-----------|
| 1 | 031086 | Schraube M6x12 | 2 | |
| 2 | 008112 | Platte | 1 | |
| 3 | 078307 | Ausgleichscheibe | 2 | |
| 4 | 007631 | Unterlegscheibe | 4 | |
| 5 | 834295 | Kühlhaube | 1 | |
| 6 | 244395 | Zündkerzenstecker | 1 | |
| 7 | 1A010674 | Zündkerze | 1 | |
| 8 | 1A010671 | Zylinderkopf | 1 | |
| 9 | 003057 | Flachscheibe | 4 | |
| 10 | 016407 | Unterlegscheibe | 8 | |
| 11 | 015559 | Schraubbolzen | 4 | |
| 12 | 018509 | Schraube | 5 | |
| 13 | 1A011811 | Bügel mit inneren Teilen | 1 | |
| 14 | CM288712 | Schraube | 2 | |

| | |
|---------------------|---------|
| Einheit | Motor |
| Code | 01.18 |
| Beschreibung | Ölpumpe |
| Inspektion | 1 |



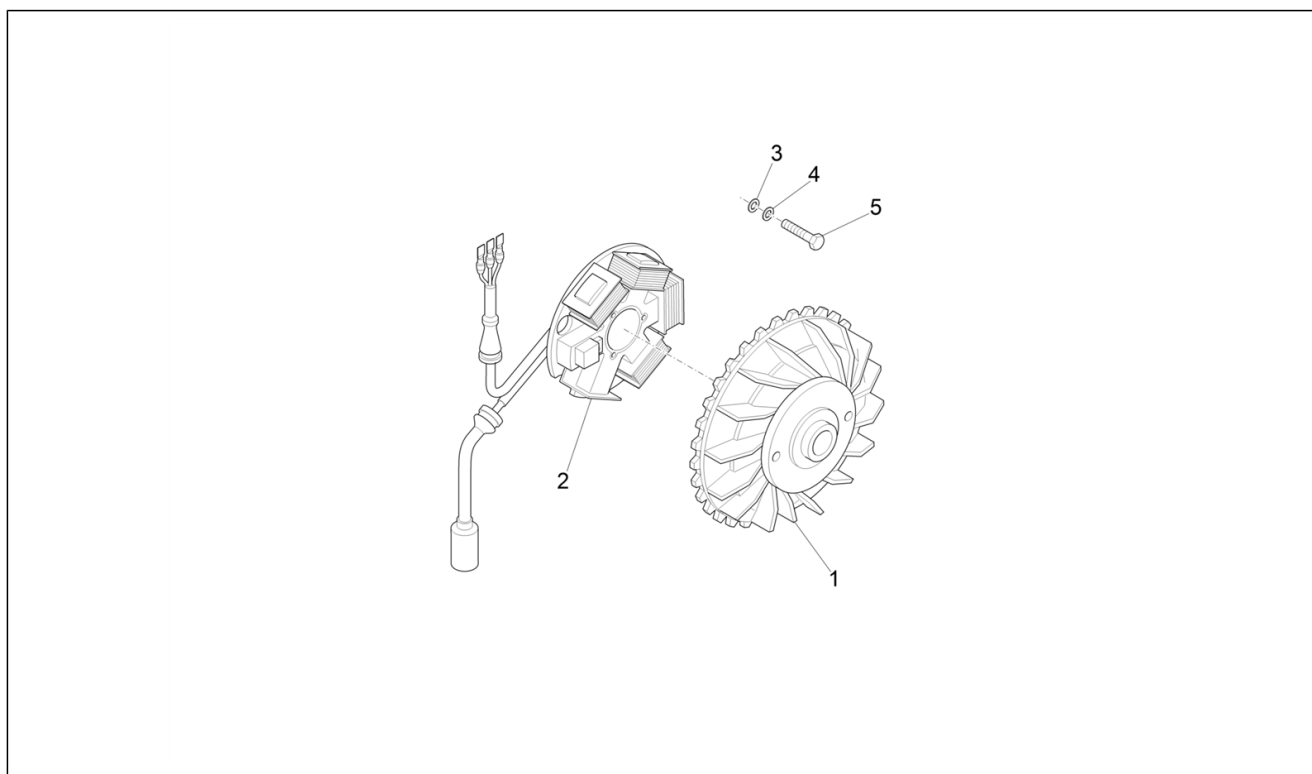
| Pos. | Code | Beschreibung | Menge | Varianten |
|------|----------|------------------|-------|-----------|
| 1 | 82606R | Ölpumpe | 1 | |
| 2 | CM101605 | Ölauslaßschlauch | 1 | |
| 3 | CM101509 | Öleinlaßschlauch | 1 | |
| 4 | 311163 | Dichtung | 1 | |
| 5 | 482746 | Deckel | 1 | |
| 6 | 482747 | Kabelführung | 1 | |
| 7 | 146197 | Regelschraube | 1 | |
| 8 | 020106 | Mutter M6 | 1 | |
| 9 | 031058 | Schraube M5x16 | 2 | |

| | |
|---------------------|--------------------------------|
| Einheit | Motor |
| Code | 01.20 |
| Beschreibung | Starter - Elektrischer starter |
| Inspektion | 1 |



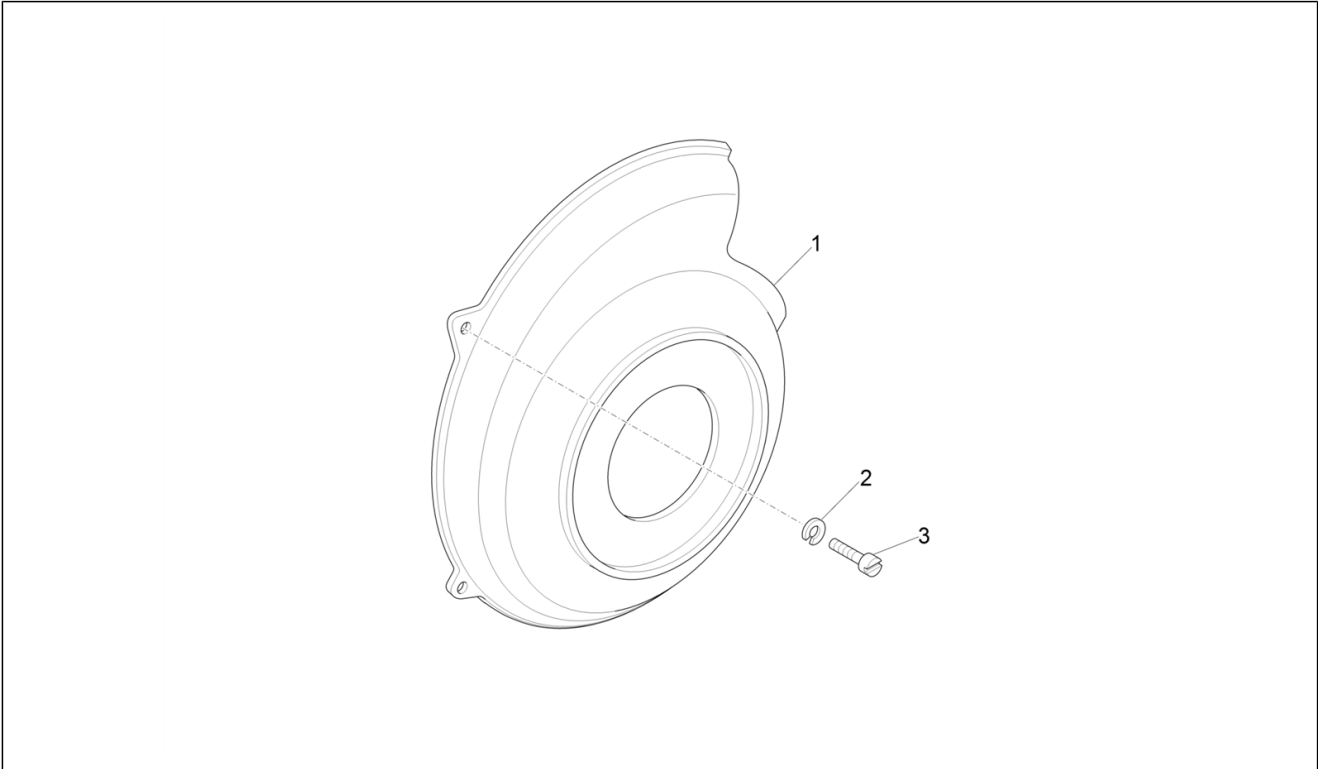
| Pos. | Code | Beschreibung | Menge | Varianten |
|------|----------|-----------------------|-------|-----------|
| 1 | 1D001966 | Anlassermotor | 1 | |
| 2 | 003056 | Flachscheibe 6,4x12x1 | 2 | |
| 3 | 016406 | Federring 6,4x11,8x1 | 2 | |
| 4 | 020106 | Mutter M6 | 2 | |

| | |
|---------------------|---------------|
| Einheit | Motor |
| Code | 01.21 |
| Beschreibung | Lichtmaschine |
| Inspektion | 1 |



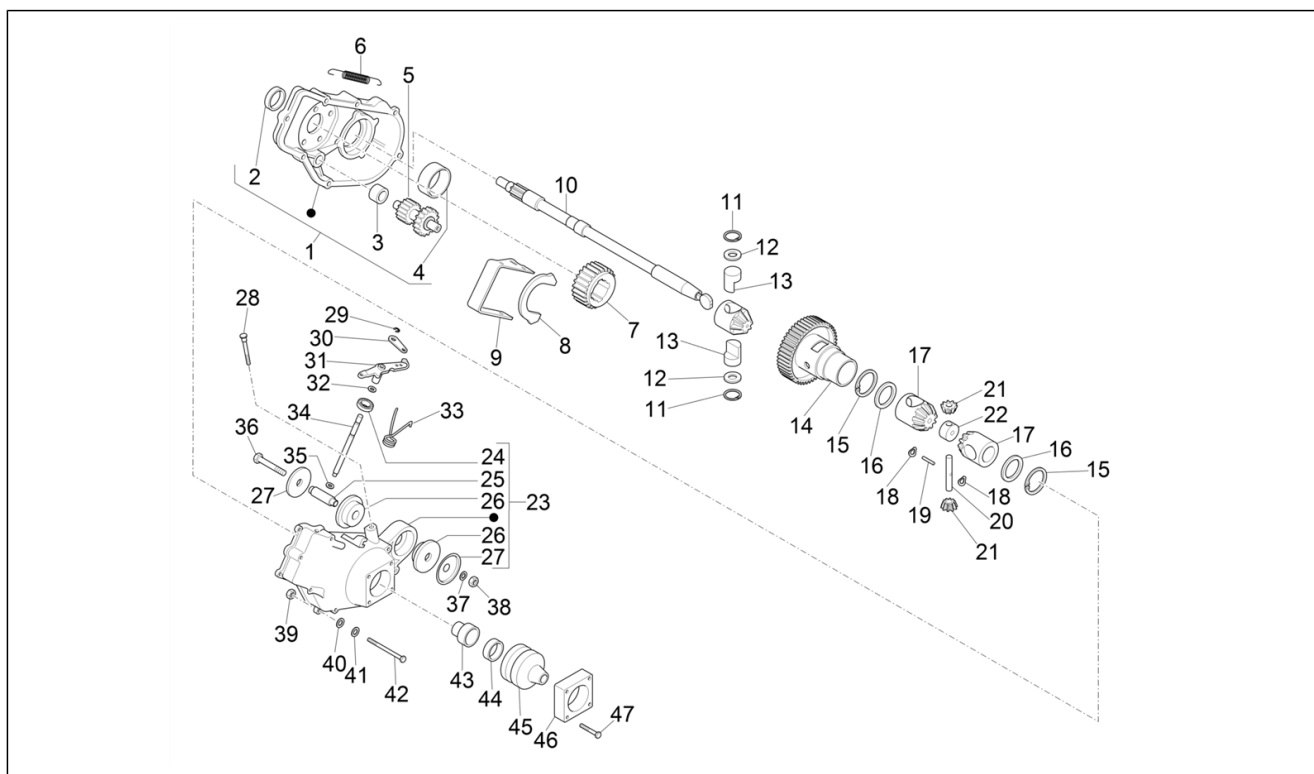
| Pos. | Code | Beschreibung | Menge | Varianten |
|------|---------|----------------------------|-------|-----------|
| 1 | 642204 | Lüfterrad | 1 | |
| 2 | 642205 | Stator komplett | 1 | |
| 3 | 0900455 | Unterlegscheibe | 3 | |
| 4 | 006965 | Ausgleichscheibe 5.3x10x10 | 3 | |
| 5 | 000292 | Schraube | 3 | |

| | |
|---------------------|-----------------------------|
| Einheit | Motor |
| Code | 01.23 |
| Beschreibung | Schwungraddeckel - Ölfilter |
| Inspektion | 1 |



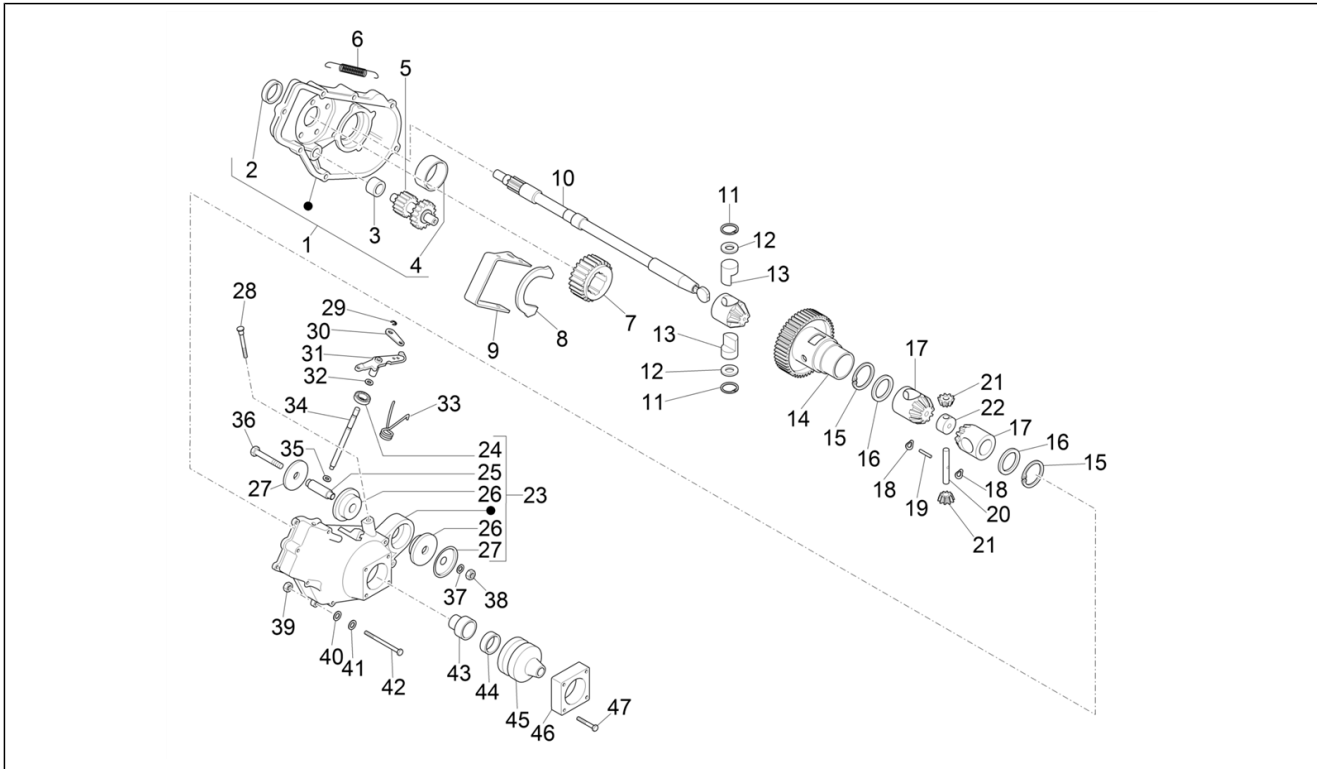
| Pos. | Code | Beschreibung | Menge | Varianten |
|------|----------|------------------|-------|-----------|
| 1 | 834751 | Deckel | 1 | |
| 2 | 078307 | Ausgleichscheibe | 2 | |
| 3 | CM288712 | Schraube | 5 | |

| | |
|---------------------|--------------------|
| Einheit | Motor |
| Code | 01.28 |
| Beschreibung | Hinterachs Antrieb |
| Inspektion | 1 |



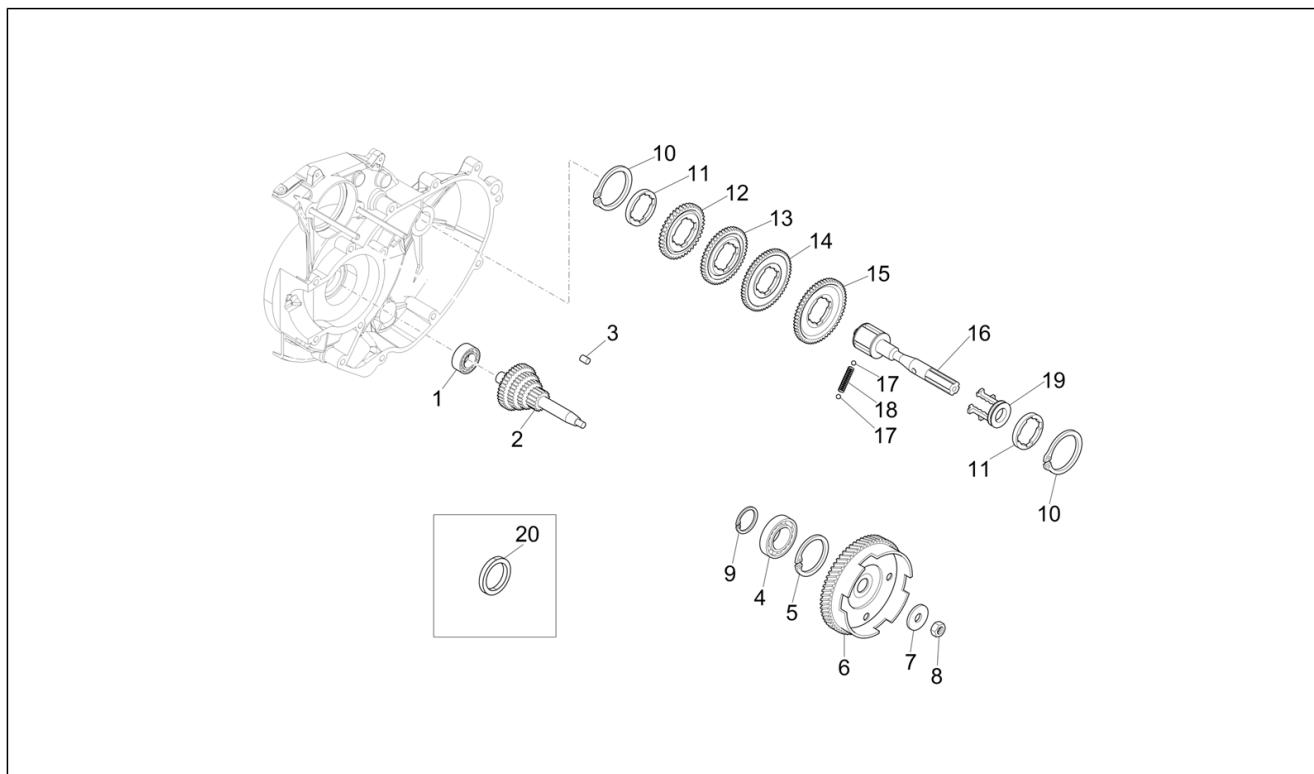
| Pos. | Code | Beschreibung | Menge | Varianten |
|------|---------|---------------------|-------|-----------|
| 1 | 2485145 | Not available | 1 | |
| 2 | 128217 | Ring | 1 | |
| 3 | 168407 | Nadelkaefig | 1 | |
| 4 | 119981 | Buchse | 1 | |
| 5 | 2855124 | Not available | 1 | |
| 6 | 116695 | Feder | 1 | |
| 7 | 2854214 | Schieberadgetriebe | 1 | |
| 8 | 116147 | Gleitbacke | 1 | |
| 9 | 1161484 | Nutmutter | 1 | |
| 10 | 1368076 | Achswelle | 1 | |
| 11 | 006627 | Sprengring | 4 | |
| 12 | 119801 | Unterlegscheibe | 4 | |
| 13 | 126283 | Bolzen | 4 | |
| 14 | 2854244 | Differentialgehäuse | 1 | |
| 15 | 006646 | Ring | 2 | |
| 16 | 116241 | Unterlegscheibe | 2 | |
| 17 | 4344724 | Planetengetriebe | 2 | |
| 18 | 016708 | Sprengring | 2 | |
| 19 | 116240 | Stift | 1 | |
| 20 | 1199851 | Bolzen | 1 | |
| 21 | 4344714 | Zahnrad | 2 | |
| 22 | 116238 | Distanzscheibe | 1 | |
| 23 | 2892325 | Not available | 1 | |
| 24 | 017019 | Dichtring | 1 | |
| 25 | 116742 | Buchse | 1 | |
| 26 | 116736 | Ring | 2 | |
| 27 | 116737 | Unterlegscheibe | 2 | |
| 28 | 116229 | Deckel | 1 | |

| | |
|---------------------|--------------------|
| Einheit | Motor |
| Code | 01.28 |
| Beschreibung | Hinterachs Antrieb |
| Inspektion | 1 |



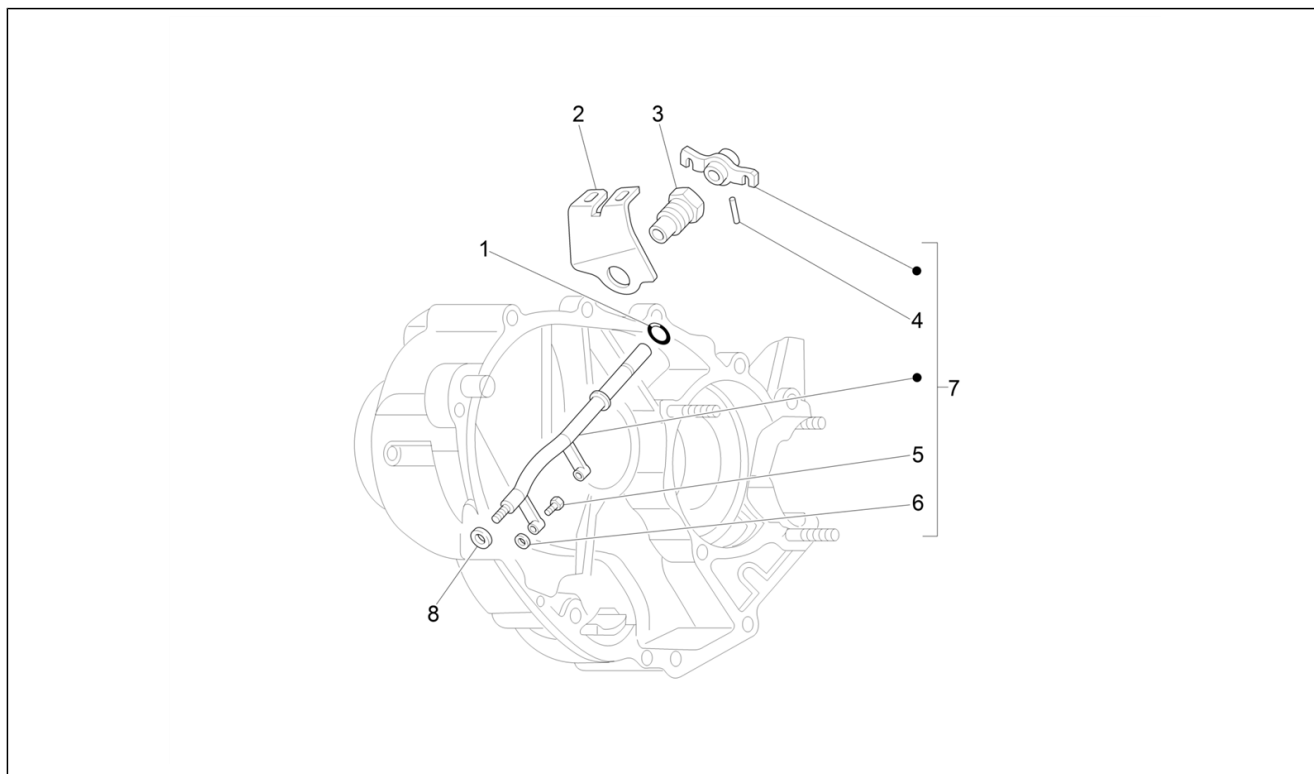
| Pos. | Code | Beschreibung | Menge | Varianten |
|------|---------|-----------------------------|-------|-----------|
| 29 | 005955 | Ring | 1 | |
| 30 | 116693 | Hebel | 1 | |
| 31 | 1170274 | Not available | 1 | |
| 32 | 006707 | Dichtung | 1 | |
| 33 | 119344 | Feder | 1 | |
| 34 | 117024 | Bolzen | 1 | |
| 35 | 005955 | Ring | 1 | |
| 36 | 030104 | Schraube | 1 | |
| 37 | 016410 | Unterlegscheibe 17,6x11x2,5 | 1 | |
| 38 | 020110 | Mutter M10 6H | 1 | |
| 39 | 020106 | Mutter M6 | 8 | |
| 40 | 003056 | Flachscheibe 6,4x12x1 | 8 | |
| 41 | 016406 | Federring 6,4x11,8x1 | 8 | |
| 42 | 030062 | Schraube | 1 | |
| 42 | 030065 | Schraube | 7 | |
| 43 | 119987 | Buchse | 1 | |
| 44 | 046699 | Ring | 1 | |
| 45 | 119989 | Haube | 1 | |
| 46 | 116195 | Deckel | 1 | |
| 47 | 018639 | Sechskantschraube M6x20 | 8 | |

| | |
|---------------------|----------------|
| Einheit | Motor |
| Code | 01.31 |
| Beschreibung | Schaltgetriebe |
| Inspektion | 1 |



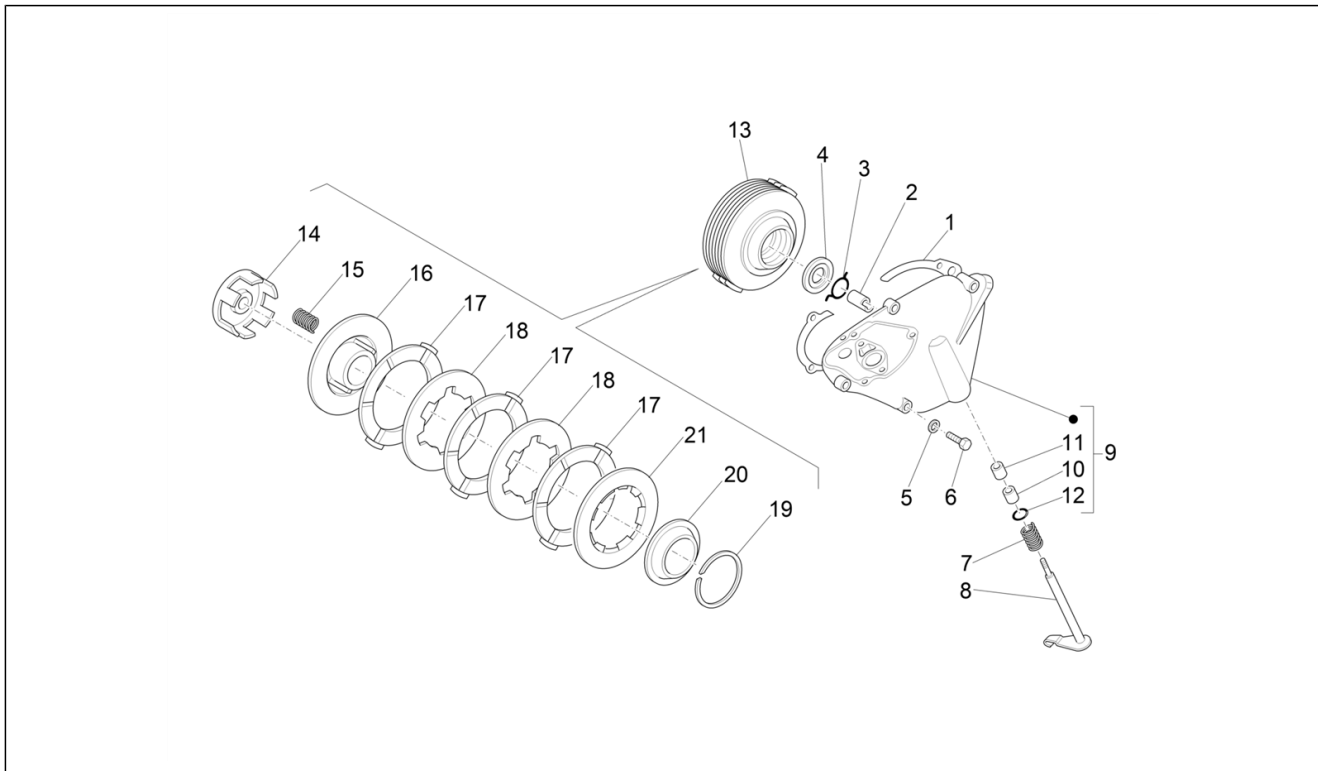
| Pos. | Code | Beschreibung | Menge | Varianten |
|------|---------|----------------------|-------|--|
| 1 | 007035 | Lager | 1 | |
| 2 | 1250834 | Zahnradatz | 1 | |
| 3 | 011753 | Keil | 1 | |
| 4 | 007130 | Lager | 1 | |
| 5 | 006647 | Seegerring | 1 | |
| 6 | 4363951 | Schneckenradgetriebe | 1 | |
| 7 | 244297 | Unterlegscheibe | 1 | |
| 8 | 001508 | Mutter | 1 | |
| 9 | 006425 | Ring | 1 | |
| 10 | 009101 | Sprengring | 2 | |
| 11 | 138393 | Sprengring | 1 | |
| 11 | 165418 | Sprengring 1° magg. | 1 | |
| 11 | 165417 | Sprengring 2° magg. | 1 | |
| 12 | 2854224 | Zahnrad 4. Gang | 1 | |
| 13 | 1654504 | Zahnrad 3. Gang | 1 | |
| 14 | 1654494 | Zahnrad 2. Gang | 1 | |
| 15 | 1654574 | Zahnrad 1. Gang | 1 | |
| 16 | 2425815 | Not available | 1 | |
| 17 | 006379 | Kugel | 2 | |
| 18 | 150110 | Feder | 1 | |
| 19 | 1349026 | Schaltkreuz 4. Gang | 1 | |
| 20 | B017344 | Distanzscheibe | 1 | Modellversion: Limited speed version (25 Km/h)[25 Km/h] |

| | |
|---------------------|-------------|
| Einheit | Motor |
| Code | 01.32 |
| Beschreibung | Schalthebel |
| Inspektion | 1 |



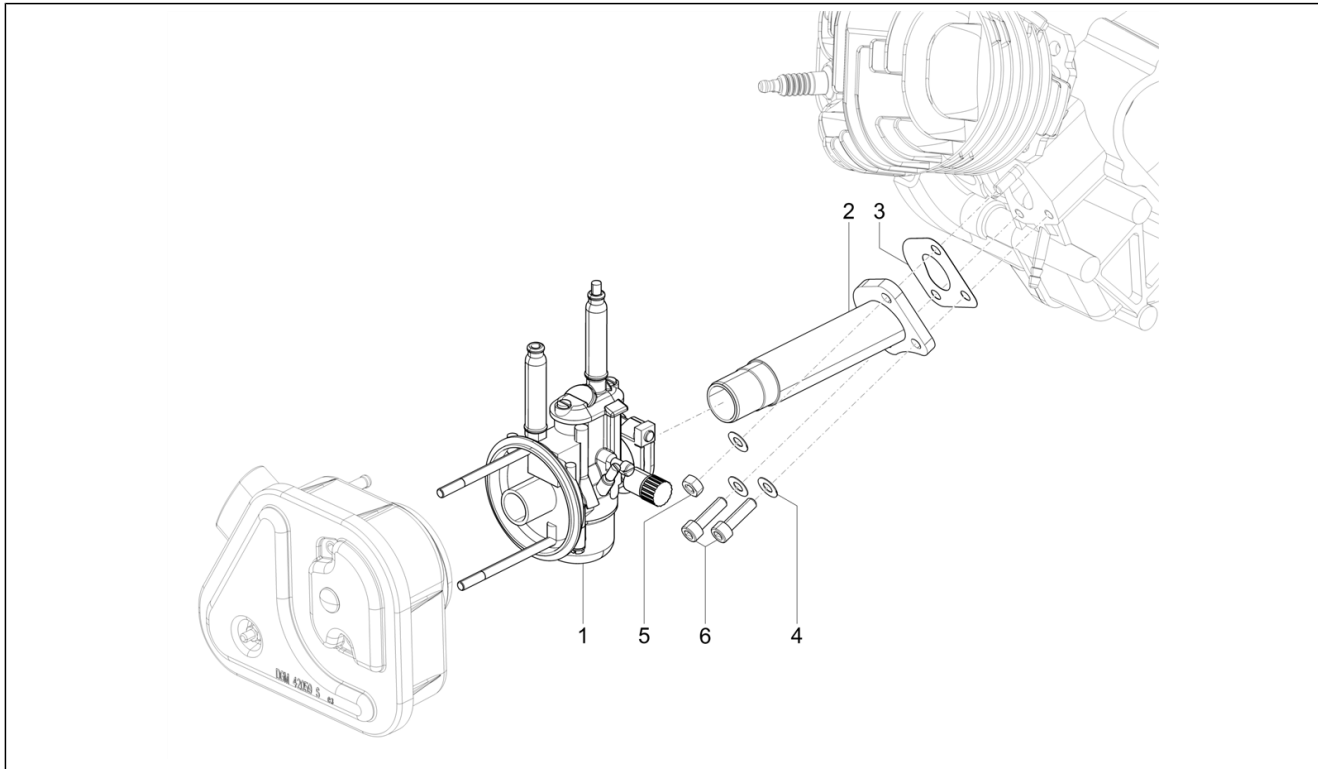
| Pos. | Code | Beschreibung | Menge | Varianten |
|------|---------|----------------|-------|-----------|
| 1 | 006706 | Dichtung | 1 | |
| 2 | 116379 | Umschlag | 1 | |
| 3 | 116378 | Buchse | 1 | |
| 4 | 013010 | Stift | 1 | |
| 5 | 0789454 | Gleitbacke | 2 | |
| 6 | 005962 | Sprengring | 2 | |
| 7 | 1163764 | Vorderradgabel | 1 | |
| 8 | 078597 | Federring | 1 | |

| | |
|---------------------|----------|
| Einheit | Motor |
| Code | 01.34 |
| Beschreibung | Kupplung |
| Inspektion | 1 |



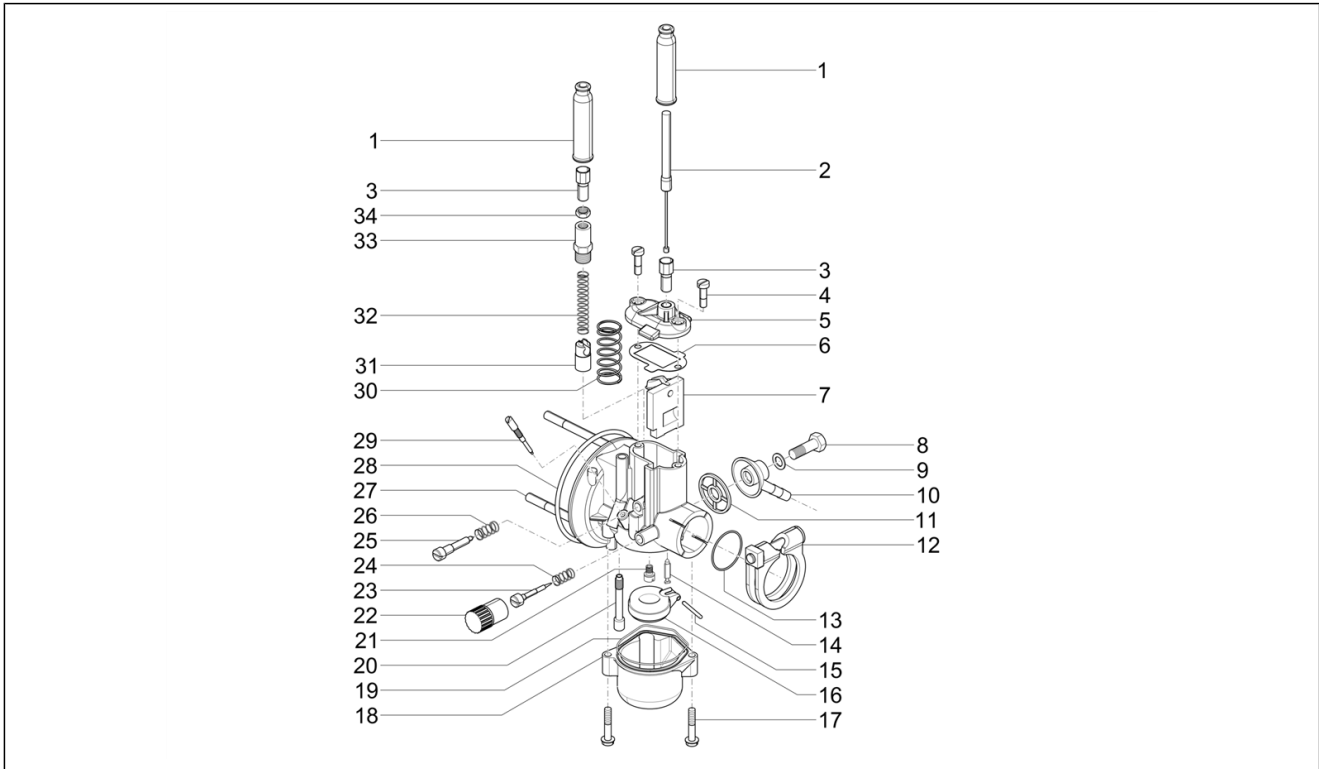
| Pos. | Code | Beschreibung | Menge | Varianten |
|------|---------|--|-------|-----------|
| 1 | B018214 | Dichtung für Kupplungsdeckel | 1 | |
| 2 | 871561 | Kupplungsklinke | 1 | |
| 3 | 286406 | Ring | 1 | |
| 4 | 2860245 | Federteller Kupplung | 1 | |
| 5 | 277916 | Haltestein $\varnothing 7,5 \times 12$ | 2 | |
| 6 | B016774 | TE Schr. m. Flansch M6x25 | 6 | |
| 7 | 239275 | Feder | 1 | |
| 8 | 2885075 | Hebel | 1 | |
| 9 | 8715765 | Kupplungsdeckel | 1 | |
| 10 | 286101 | Nadelhülse | 1 | |
| 11 | 165945 | Nadelhülse | 1 | |
| 12 | 006710 | Dichtung | 1 | |
| 13 | 2898935 | Komplette Kupplung | 1 | |
| 14 | 2898774 | Kupplungsglocke | 1 | |
| 15 | 289613 | Feder | 6 | |
| 16 | 2860135 | Not available | 1 | |
| 17 | 2859741 | Treibende Kuppl.scheibe | 3 | |
| 18 | 2860144 | Getriebene Kuppl.scheibe | 2 | |
| 19 | 286019 | Sprengring | 1 | |
| 20 | 286018 | Sammler | 1 | |
| 21 | 2862975 | Not available | 1 | |

| | |
|---------------------|------------------------------------|
| Einheit | Motor |
| Code | 01.39 |
| Beschreibung | Vergaser, komplett - Ansaugstutzen |
| Inspektion | 1 |



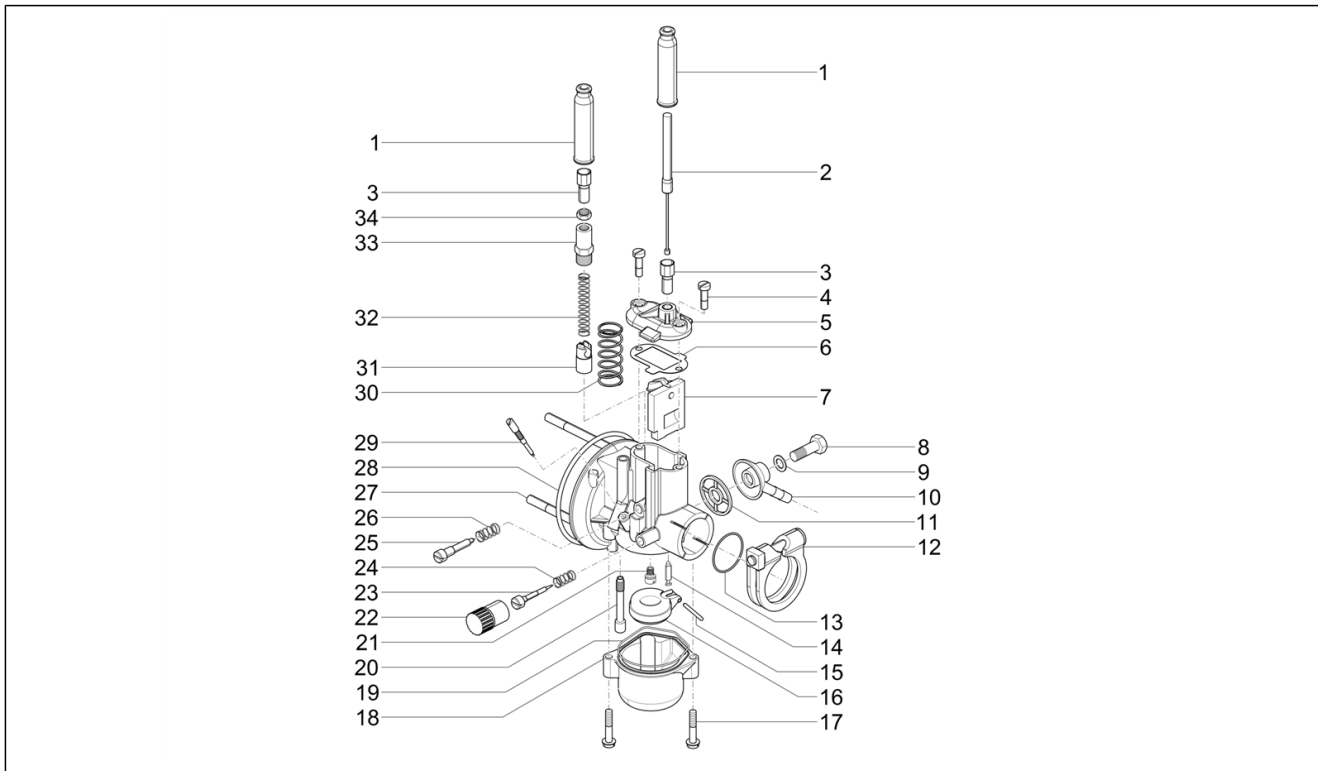
| Pos. | Code | Beschreibung | Menge | Varianten |
|------|----------|------------------------------|-------|--|
| 1 | 1A011477 | Vergaser komplett | 1 | |
| 1 | 1A014348 | Vergaser komplett | 1 | Modellversion: Limited speed version (25 Km/h)[25 Km/h] |
| 2 | 1A011428 | Anschluß | 1 | |
| 2 | 1A014197 | Anschluß | 1 | Modellversion: Limited speed version (25 Km/h)[25 Km/h] |
| 3 | 873214 | Dichtung Einlassanschluss | 1 | |
| 3 | 1A014316 | Dichtung Einlassanschluss | 1 | Modellversion: Limited speed version (25 Km/h)[25 Km/h] |
| 4 | 007631 | Unterlegscheibe | 3 | |
| 5 | 020106 | Mutter M6 | 1 | |
| 6 | 1A011416 | Antitampering schraube M6x22 | 2 | |

| | |
|---------------------|---------------------|
| Einheit | Motor |
| Code | 01.40 |
| Beschreibung | Vergaserkomponenten |
| Inspektion | 1 |



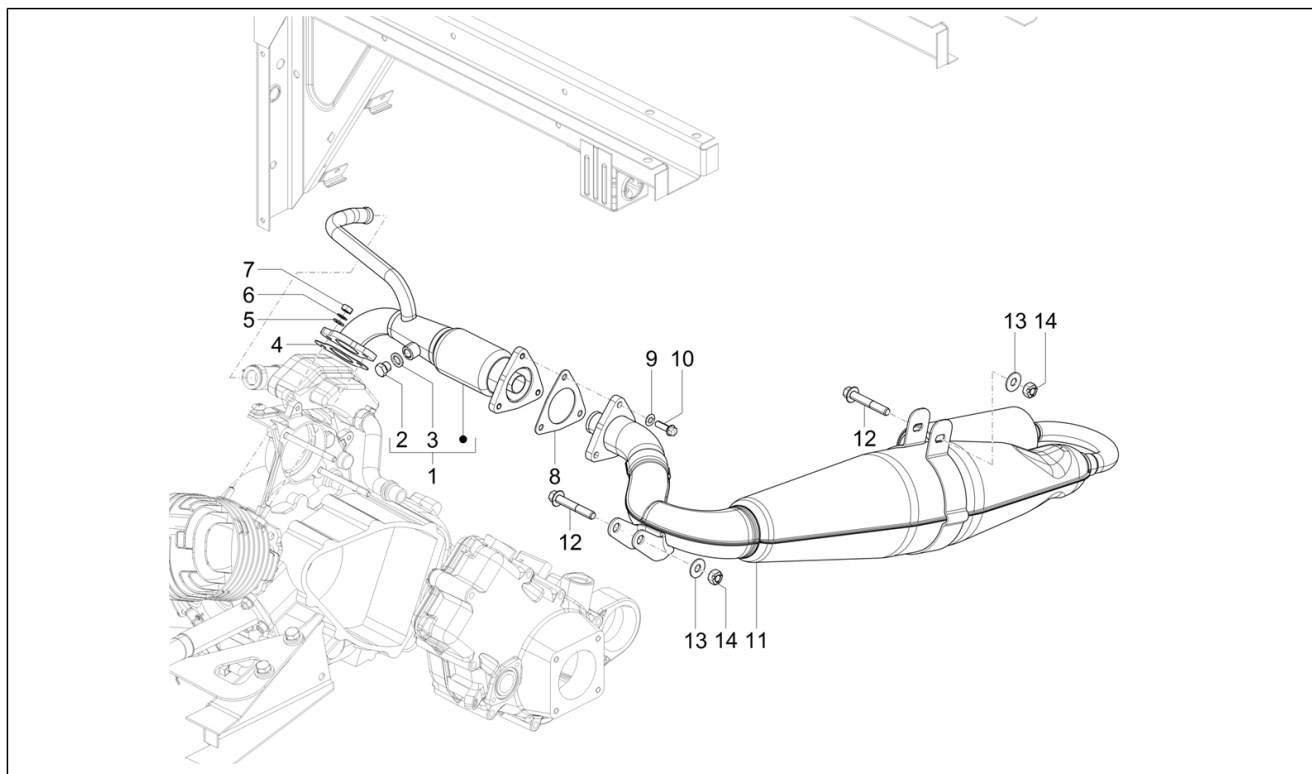
| Pos. | Code | Beschreibung | Menge | Varianten |
|------|----------|----------------------------|-------|--|
| 1 | 127050 | Kappe | 2 | |
| 2 | 612791 | Seilzug Verteiler Vergaser | 1 | |
| 3 | 024638 | Schraube | 2 | |
| 4 | 113906 | Schraube | 2 | |
| 5 | 196692 | Deckel | 1 | |
| 6 | 196694 | Dichtung | 1 | |
| 7 | 196380 | Gasventil | 1 | |
| 7 | 1A014380 | Gasventil | 1 | Modellversion: Limited speed version (25 Km/h)[25 Km/h] |
| 8 | 085294 | Schraube | 1 | |
| 9 | 085288 | Dichtung | 1 | |
| 10 | 152067 | Röhrchen | 1 | |
| 11 | 099315 | Kraftstofffilter | 1 | |
| 12 | 140275 | Ring | 1 | |
| 13 | 245201 | Dichtung | 1 | |
| 14 | 090506 | Federsplint | 1 | |
| 15 | 085291 | Bolzen | 1 | |
| 16 | 199915 | Schwimmer | 1 | |
| 17 | 098134 | Schraube | 2 | |
| 18 | 098138 | Schwimmergehäuse | 1 | |
| 19 | 098148 | Dichtung | 1 | |
| 20 | 098433 | Strahl | 1 | |
| 21 | CM140624 | | 1 | |
| 21 | CM140623 | | 1 | Modellversion: Limited speed version (25 Km/h)[25 Km/h] |
| 22 | 245633 | Kappe | 1 | |
| 23 | 240199 | Schraube | 1 | |
| 24 | 098135 | Feder | 1 | |
| 25 | 245632 | Schraube regelung | 1 | |
| 26 | 098130 | Feder | 1 | |

| | |
|---------------------|---------------------|
| Einheit | Motor |
| Code | 01.40 |
| Beschreibung | Vergaserkomponenten |
| Inspektion | 1 |



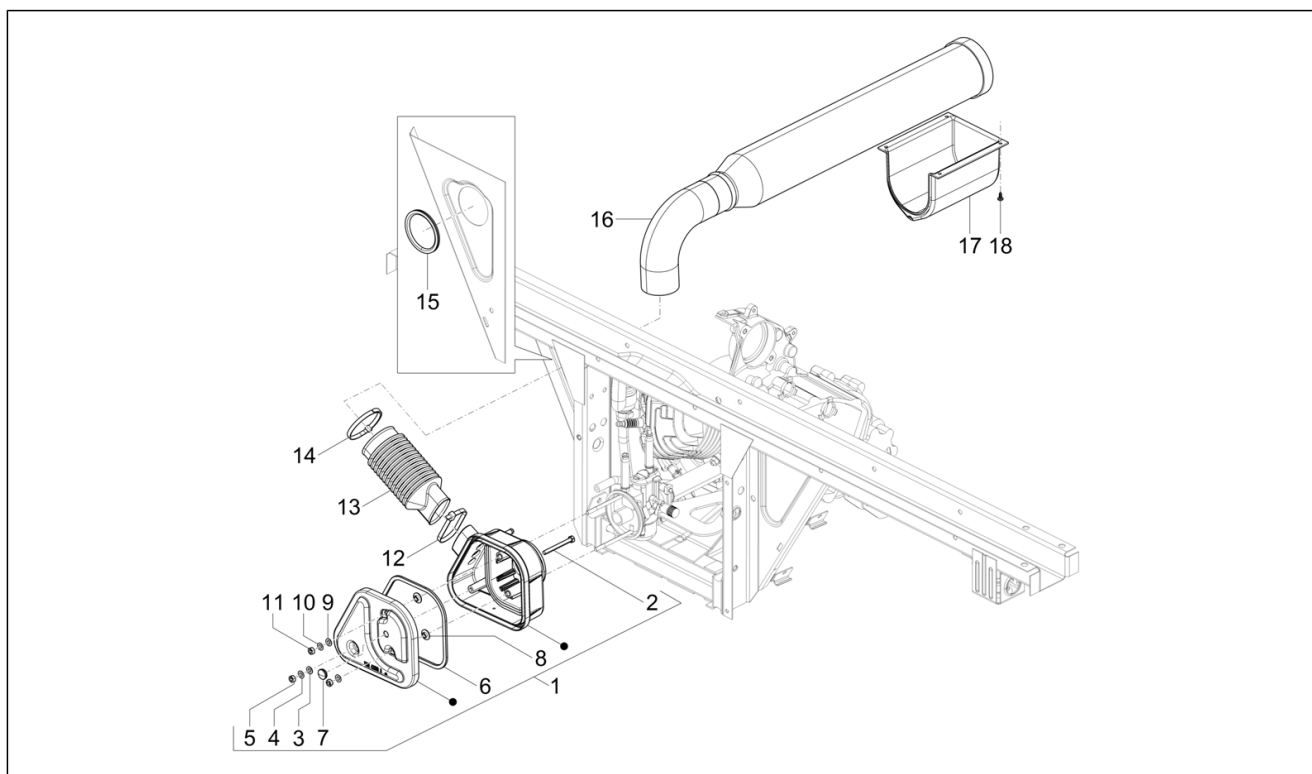
| Pos. | Code | Beschreibung | Menge | Varianten |
|------|----------|----------------|-------|-----------|
| 27 | B015237 | Stiftschraube | 2 | |
| 28 | 017017 | Dichtung | 1 | |
| 29 | 1A011525 | Leerlaufstrahl | 1 | |
| 30 | 125757 | Feder | 1 | |
| 31 | 098149 | Ventil | 1 | |
| 32 | 098146 | Feder | 1 | |
| 33 | 152077 | Deckel | 1 | |
| 34 | 120073 | Mutter | 1 | |

| | |
|---------------------|-------------|
| Einheit | Motor |
| Code | 01.42 |
| Beschreibung | Auspufftopf |
| Inspektion | 1 |



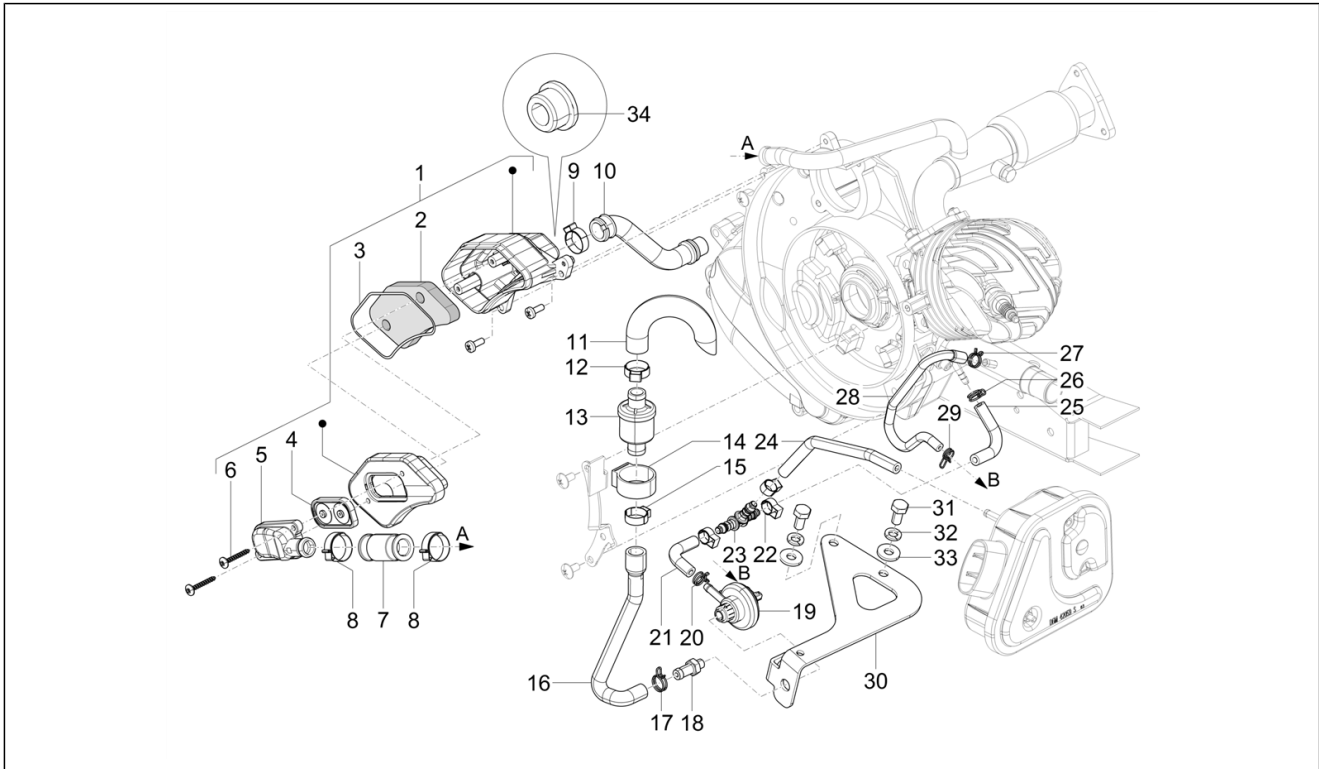
| Pos. | Code | Beschreibung | Menge | Varianten |
|------|----------|--|-------|-----------|
| 1 | 1A011393 | Auspuffrohr | 1 | |
| 2 | 433122 | TE Schr. m. Flansch M10 | 1 | |
| 3 | 016195 | Ausgleichscheibe $\varnothing 10.2 \times 15 \times 2$ | 1 | |
| 4 | 288837 | Dichtung | 1 | |
| 5 | 003056 | Flachscheibe 6,4x12x1 | 2 | |
| 6 | 012533 | Zahnscheibe 6,6x11x0 | 2 | |
| 7 | 020106 | Mutter M6 | 2 | |
| 8 | 1A010762 | [...] | 1 | |
| 9 | 840782 | Tellerfeder | 3 | |
| 10 | 018639 | Sechskantschraube M6x20 | 3 | |
| 11 | 1A011929 | | 1 | |
| 12 | B016773 | Schraube m8x50 | 2 | |
| 13 | 006032 | Unterlegscheibe | 2 | |
| 14 | 272176 | Mutter | 2 | |

| | |
|---------------------|------------|
| Einheit | Motor |
| Code | 01.45 |
| Beschreibung | Luftfilter |
| Inspektion | 1 |



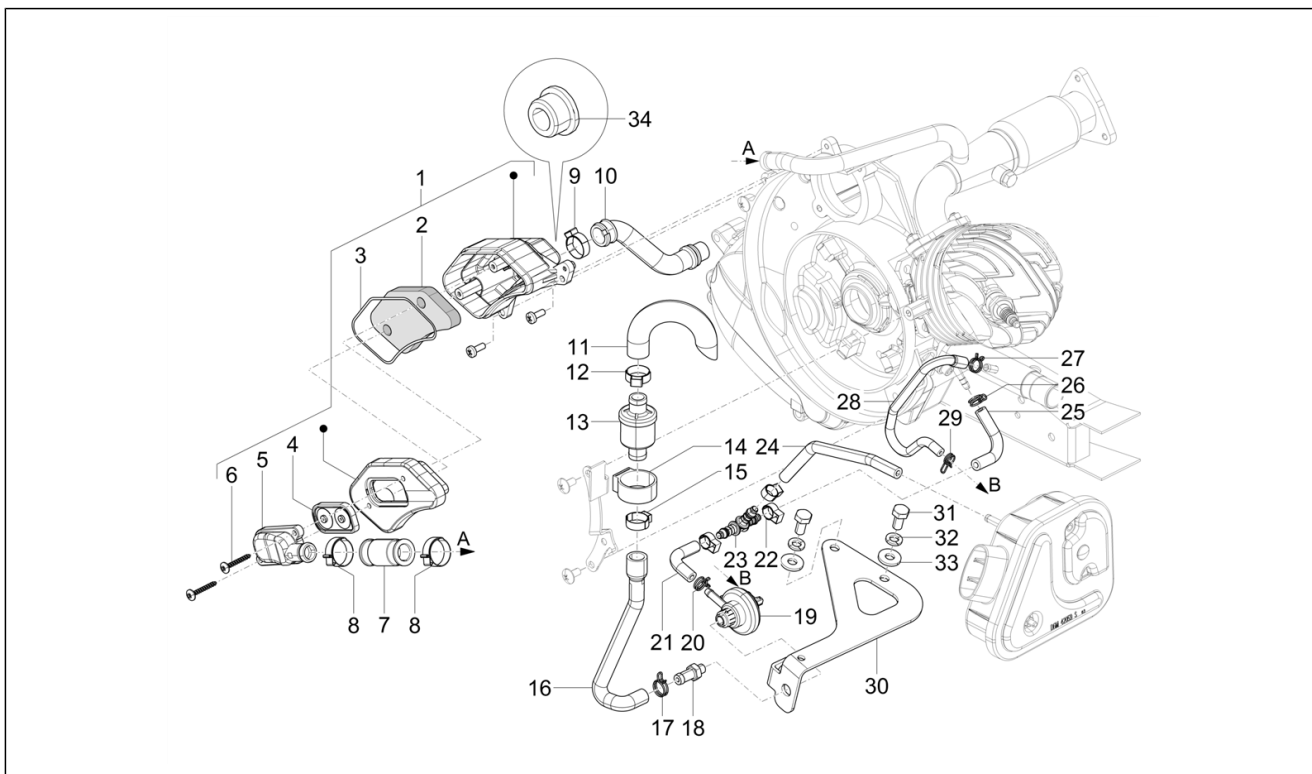
| Pos. | Code | Beschreibung | Menge | Varianten |
|------|----------|----------------------------|-------|-----------|
| 1 | 1A011442 | Luftfilter komplett | 1 | |
| 2 | B014245 | Sechskantschraube M5x50 | 1 | |
| 3 | 003055 | U.scheibe 5,4x10x0,8 | 1 | |
| 4 | 006965 | Ausgleichscheibe 5.3x10x10 | 1 | |
| 5 | 020105 | Mutter | 1 | |
| 6 | 295331 | Dichtung | 1 | |
| 7 | 087975 | Schraube Filtergehäuse | 1 | |
| 8 | 826118 | Distanzscheibe | 2 | |
| 9 | 003055 | U.scheibe 5,4x10x0,8 | 2 | |
| 10 | 006965 | Ausgleichscheibe 5.3x10x10 | 2 | |
| 11 | 020105 | Mutter | 2 | |
| 12 | 117368 | Reißschelle | 1 | |
| 13 | 119995 | Leitung | 1 | |
| 14 | 109961 | Reißschelle | 1 | |
| 15 | 220549 | Dichtung | 1 | |
| 16 | 1A011448 | | 1 | |
| 17 | 243831 | Überbrückung | 1 | |
| 18 | 008432 | Schraube M3,5x9,5 | 4 | |

| | |
|---------------------|-------------------|
| Einheit | Motor |
| Code | 01.46 |
| Beschreibung | Gehäuse nebenluft |
| Inspektion | 1 |



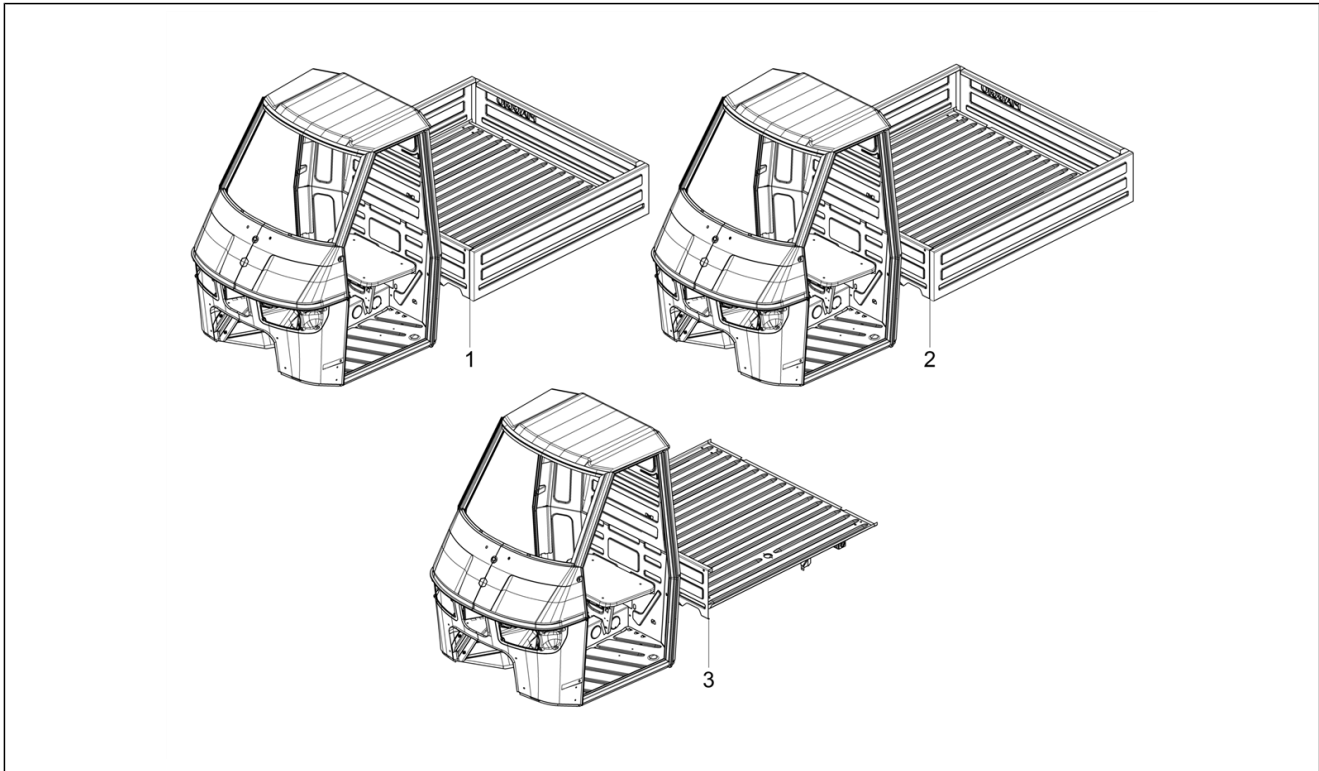
| Pos. | Code | Beschreibung | Menge | Varianten |
|------|----------|-------------------------------|-------|--|
| 1 | 8318591 | | 1 | |
| 2 | 486942 | Filter sas | 1 | |
| 3 | 486943 | Dichtung | 1 | |
| 4 | 82758R | Membran | 1 | |
| 5 | 827209 | Deckel sas | 1 | |
| 6 | 478533 | Gew.schr. | 2 | |
| 7 | 827443 | Hülse | 1 | |
| 8 | 827444 | Schelle | 2 | |
| 9 | CM001905 | Schlauchschelle | 1 | |
| 10 | 827208 | Ansaugleitung sas | 1 | |
| 11 | 1A011449 | Leitung | 1 | |
| 12 | CM001905 | Schlauchschelle | 1 | |
| 13 | 871825 | Luftfilter | 1 | |
| 14 | 272842 | Elastische Halterung | 1 | |
| 15 | CM001904 | Schlauchschelle | 1 | |
| 16 | 1A011423 | Leitung | 1 | |
| 17 | CM002905 | Schlauchschelle | 1 | |
| 18 | 1A011422 | Anschluss | 1 | |
| 19 | 1A011446 | Automatischer hahn zu senkung | 1 | |
| 19 | 1A014343 | Automatischer hahn zu senkung | 1 | Modellversion: Limited speed version (25 Km/h)[25 Km/h] |
| 20 | CM002904 | Schlauchschelle | 1 | |
| 21 | 1A011424 | Leitung | 1 | |
| 22 | CM001901 | Schlauchschelle | 3 | |
| 23 | 2B002254 | T-förmiger Anschluß | 1 | |
| 24 | 1A011427 | | 1 | |
| 25 | 1A011425 | | 1 | |
| 26 | CM002905 | Schlauchschelle | 1 | |
| 27 | CM002904 | Schlauchschelle | 1 | |

| | |
|---------------------|-------------------|
| Einheit | Motor |
| Code | 01.46 |
| Beschreibung | Gehäuse nebenluft |
| Inspektion | 1 |



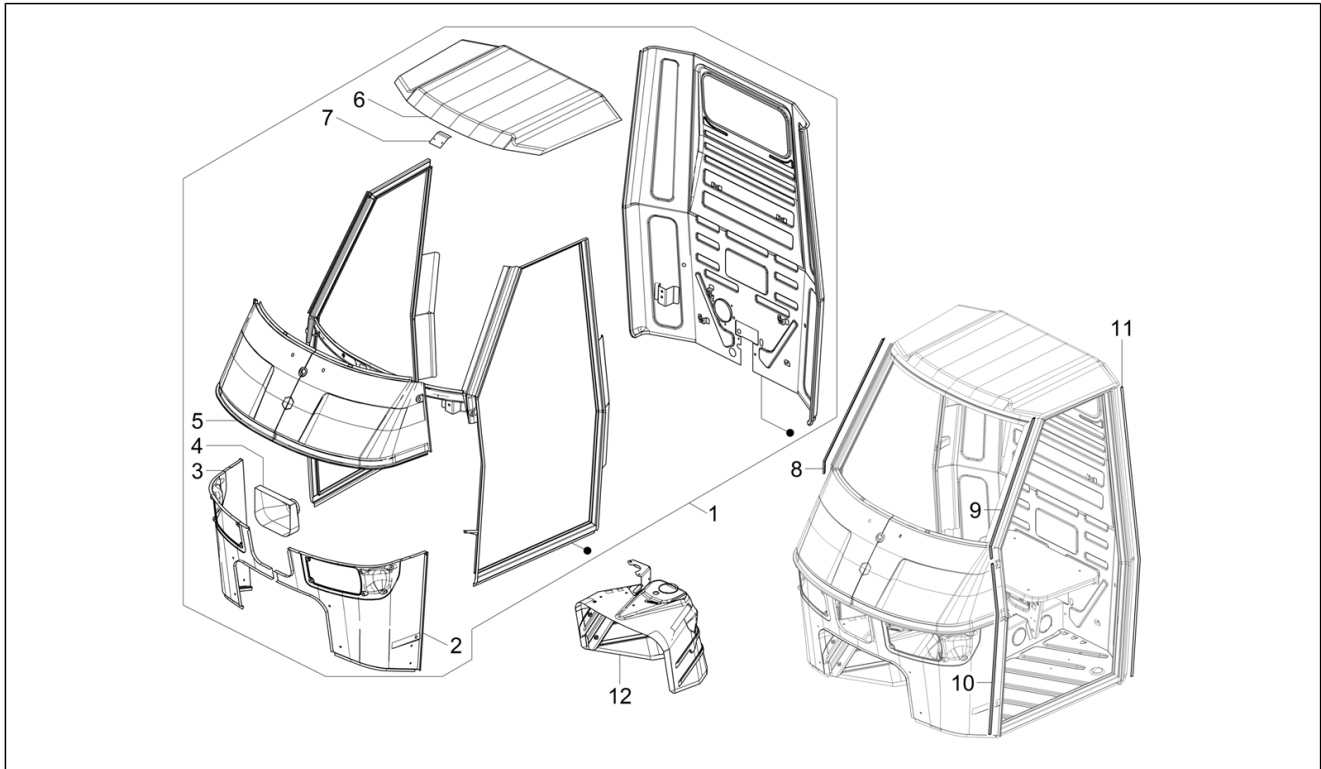
| Pos. | Code | Beschreibung | Menge | Varianten |
|------|----------|------------------------------|-------|--|
| 28 | 1A011426 | Leitung | 1 | |
| 29 | CM002901 | Schlauchschelle | 1 | |
| 30 | 1A011421 | Halterbügel | 1 | |
| 31 | 031116 | Sk-Schraube M8x16 | 2 | |
| 32 | 016408 | Sprengscheibe 13,75x8,15x4,5 | 2 | |
| 33 | 013861 | Flachscheibe 8,2x20x2,5 | 2 | |
| 34 | 1A014336 | Ventilbecher kalibriert | 1 | Modellversion: Limited speed version (25 Km/h)[25 Km/h] |

| | |
|---------------------|---|
| Einheit | Fahrgestell - Plastikformteil - Karosserien |
| Code | 02.01 |
| Beschreibung | Fahrgestell/Karosserie |
| Inspektion | 1 |



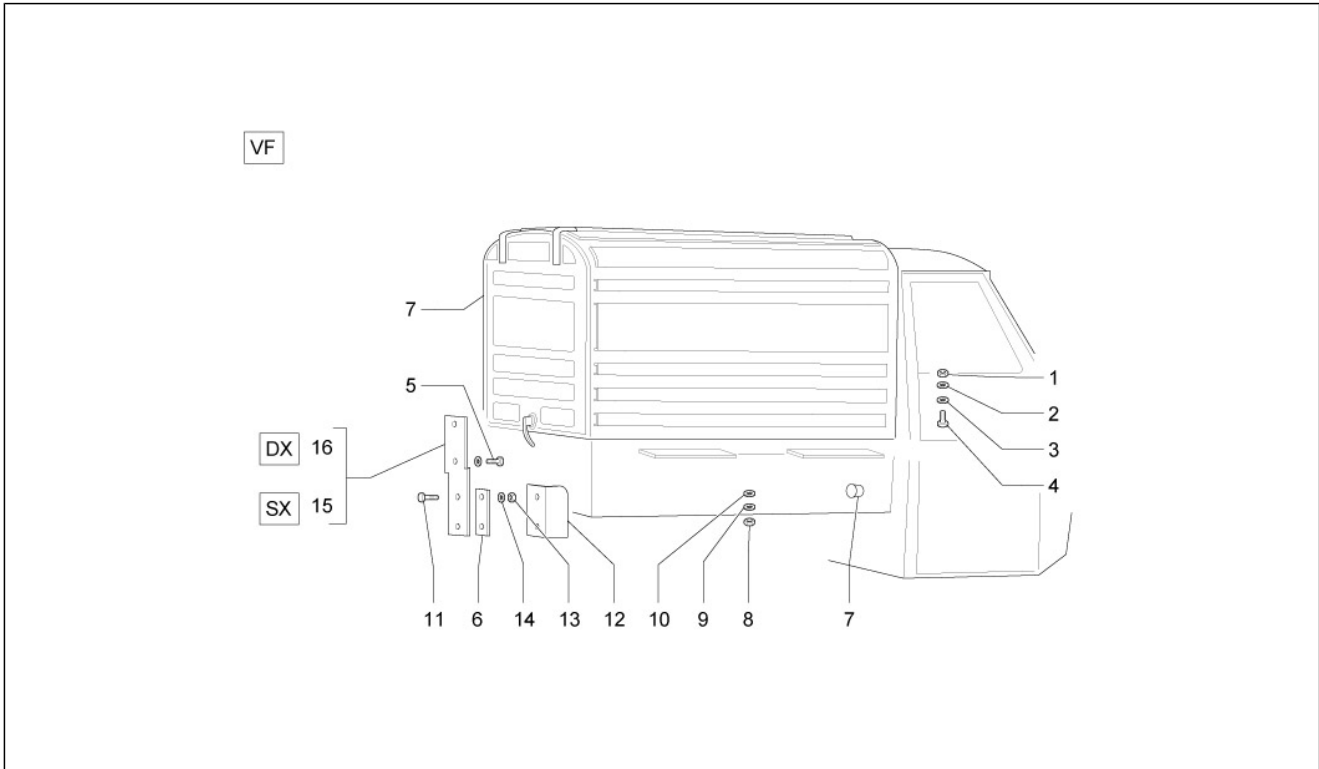
| Pos. | Code | Beschreibung | Menge | Varianten |
|------|-----------|------------------------------------|-------|--|
| 1 | CM2999015 | Rahmen mit PI (= inneren Teilen??) | 1 | MODELL: Cross[Cross] |
| 1 | CM2999025 | Rahmen mit PI (= inneren Teilen??) | 1 | MODELL: Kastenwagen[F] |
| 1 | CM2999055 | Rahmen mit PI (= inneren Teilen??) | 1 | MODELL: Short deck[PC] |
| 2 | CM2999045 | Rahmen mit PI (= inneren Teilen??) | 1 | MODELL: Long deck[PL] |
| 3 | CM2999035 | Rahmen mit PI (= inneren Teilen??) | 1 | MODELL: Top (alloy dropside)[Top] |

| | |
|---------------------|---|
| Einheit | Fahrgestell - Plastikformteil - Karosserien |
| Code | 02.02 |
| Beschreibung | Rahmen/ vordere Karosserieteile |
| Inspektion | 1 |



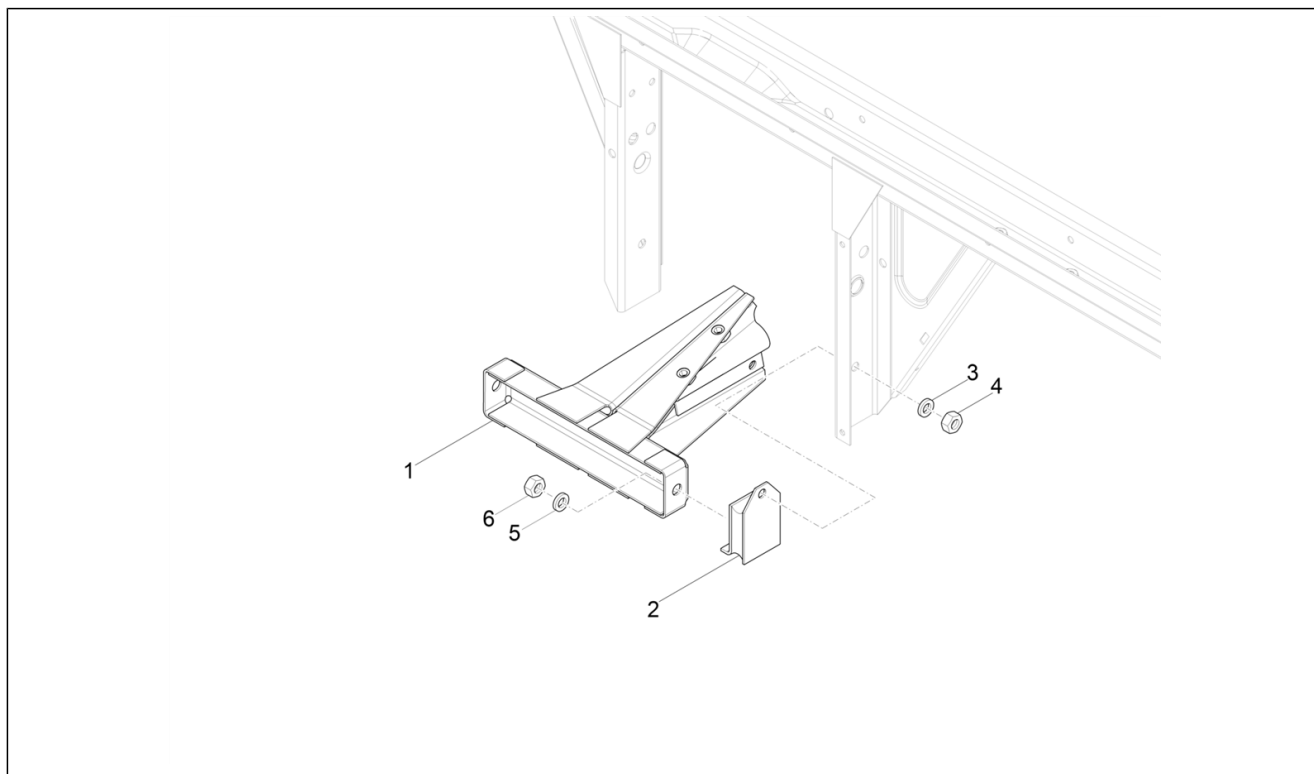
| Pos. | Code | Beschreibung | Menge | Varianten |
|------|-----------|--------------------------------|-------|---|
| 1 | CM2994015 | Kabine komplett | 1 | MODELL: Cross[Cross] |
| 1 | CM2994025 | Kabine komplett | 1 | MODELL: Kastenwagen[F] |
| 1 | CM2994035 | Kabine komplett | 1 | MODELL: Top (alloy dropside)[Top] Short deck[PC] Long deck[PL] |
| 2 | 2640735 | | 1 | |
| 3 | 2640745 | Seitliches Schild vorne rechts | 1 | |
| 4 | 2641105 | Luftansaugung | 1 | |
| 5 | 5686105 | | 1 | |
| 6 | 2325715 | Dach | 1 | |
| 7 | 264252 | | 1 | |
| 8 | CM082209 | L=547 mm | 1 | |
| 9 | CM082208 | L=547 mm | 1 | |
| 10 | CM082207 | L=560 mm | 2 | |
| 11 | CM082210 | L=1260 mm | 2 | |
| 12 | 1E0031345 | Wheel compartment | 1 | |

| | |
|---------------------|---|
| Einheit | Fahrgestell - Plastikformteil - Karosserien |
| Code | 02.04 |
| Beschreibung | Rahmen/ hintere Karosserieteile |
| Inspektion | 1 |



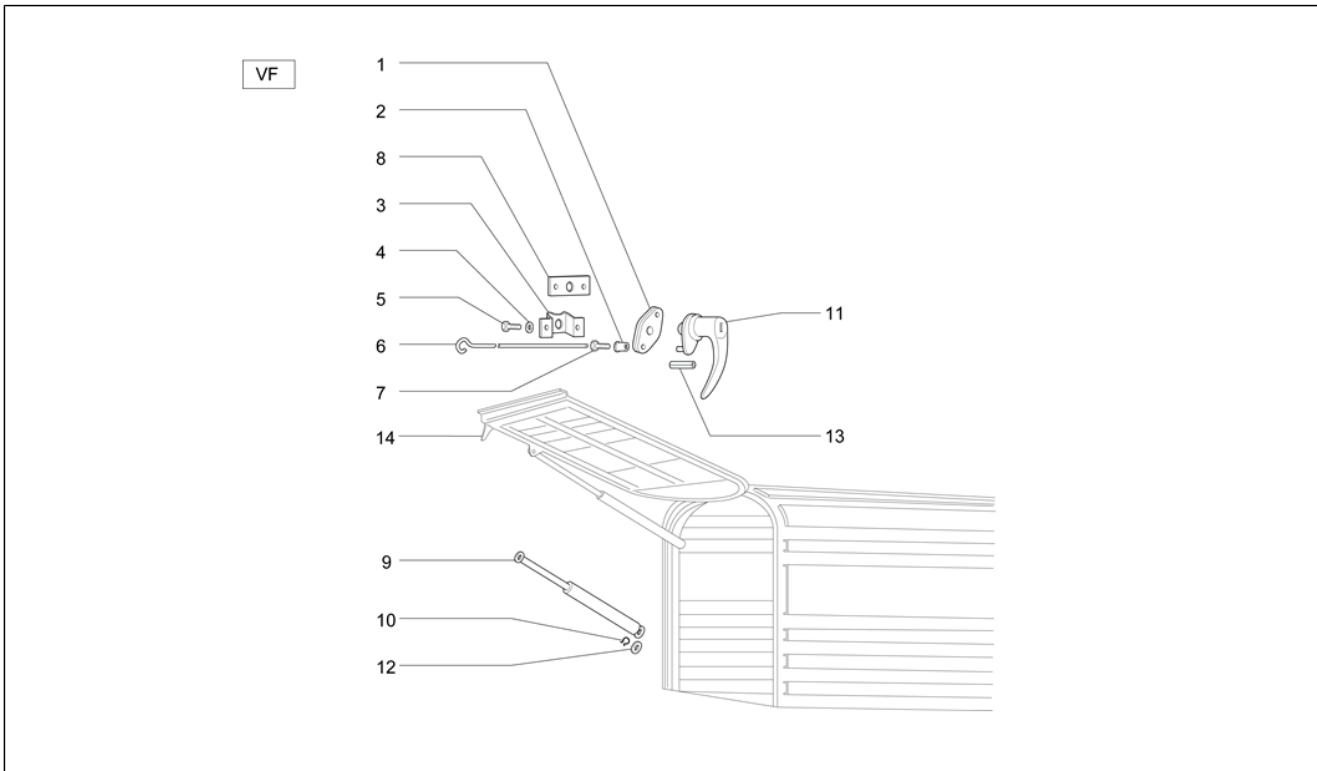
| Pos. | Code | Beschreibung | Menge | Varianten |
|------|---------|-------------------------|-------|-----------|
| 1 | 191962 | Mutter | 1 | |
| 2 | 016406 | Federring 6,4x11,8x1 | 11 | |
| 3 | 013950 | U.scheibe 6,2x18x2 | 3 | |
| 4 | 031091 | Sechskantschraube M6x22 | 1 | |
| 5 | 031092 | Schraube M6x25 | 6 | |
| 6 | 118578 | Platte | 2 | |
| 7 | 2469845 | Not available | 1 | |
| 8 | 020106 | Mutter M6 | 2 | |
| 9 | 013880 | Flachscheibe 16x6,5x1,5 | 2 | |
| 10 | 013950 | U.scheibe 6,2x18x2 | 3 | |
| 11 | 014417 | Schraube | 4 | |
| 12 | 118648 | Winkel | 2 | |
| 13 | 020106 | Mutter M6 | 6 | |
| 14 | 016406 | Federring 6,4x11,8x1 | 11 | |
| 15 | 118872 | Bügel | 1 | |
| 16 | 118873 | Bügel | 1 | |

| | |
|---------------------|---|
| Einheit | Fahrgestell - Plastikformteil - Karosserien |
| Code | 02.05 |
| Beschreibung | Motorhalterungen |
| Inspektion | 1 |



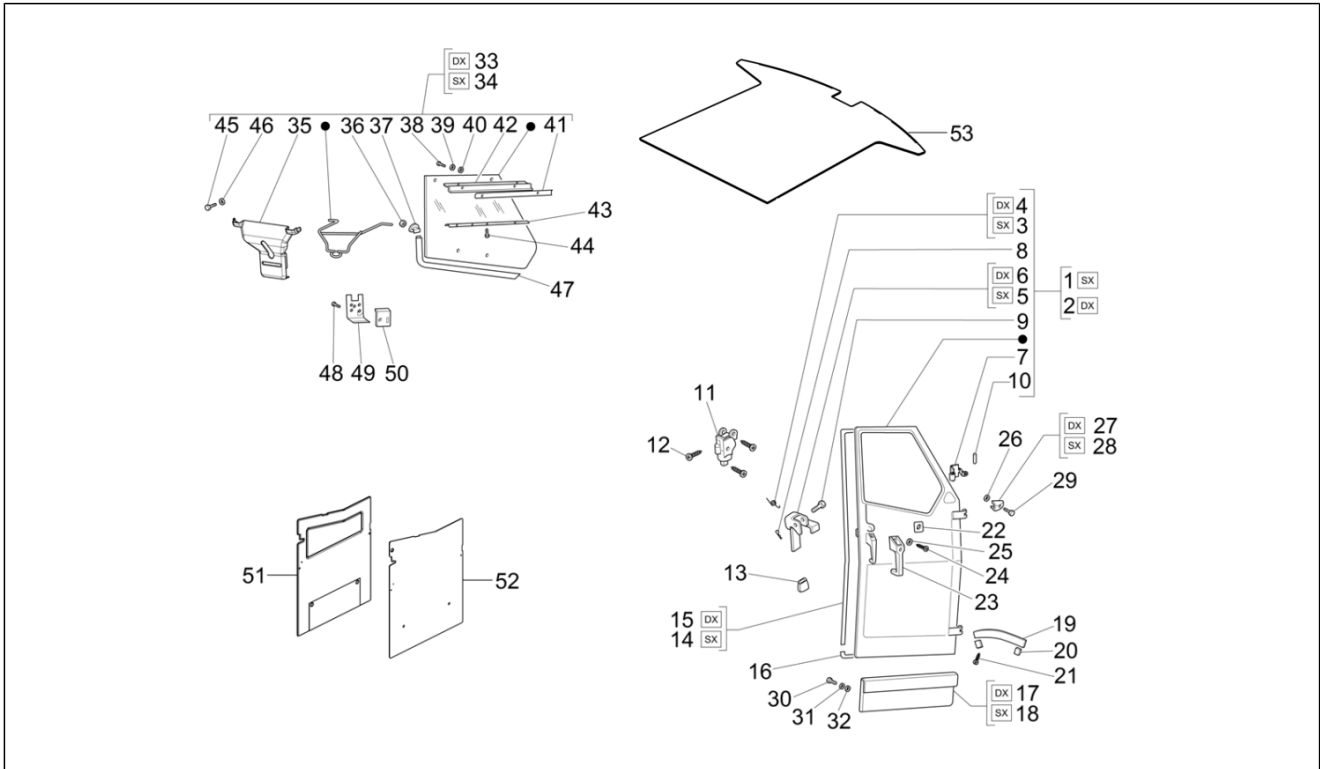
| Pos. | Code | Beschreibung | Menge | Varianten |
|------|---------|--------------------------------|-------|-----------|
| 1 | 2411493 | Motorhalterung mit Innenteilen | 1 | |
| 2 | 127350 | Halter | 2 | |
| 3 | 012535 | Unterlegscheibe | 2 | |
| 4 | 020110 | Mutter M10 6H | 2 | |
| 5 | 012535 | Unterlegscheibe | 2 | |
| 6 | 020110 | Mutter M10 6H | 2 | |

| | |
|---------------------|---|
| Einheit | Fahrgestell - Plastformteil - Karosserien |
| Code | 02.10 |
| Beschreibung | Hintere Klappe - Scheibe |
| Inspektion | 1 |



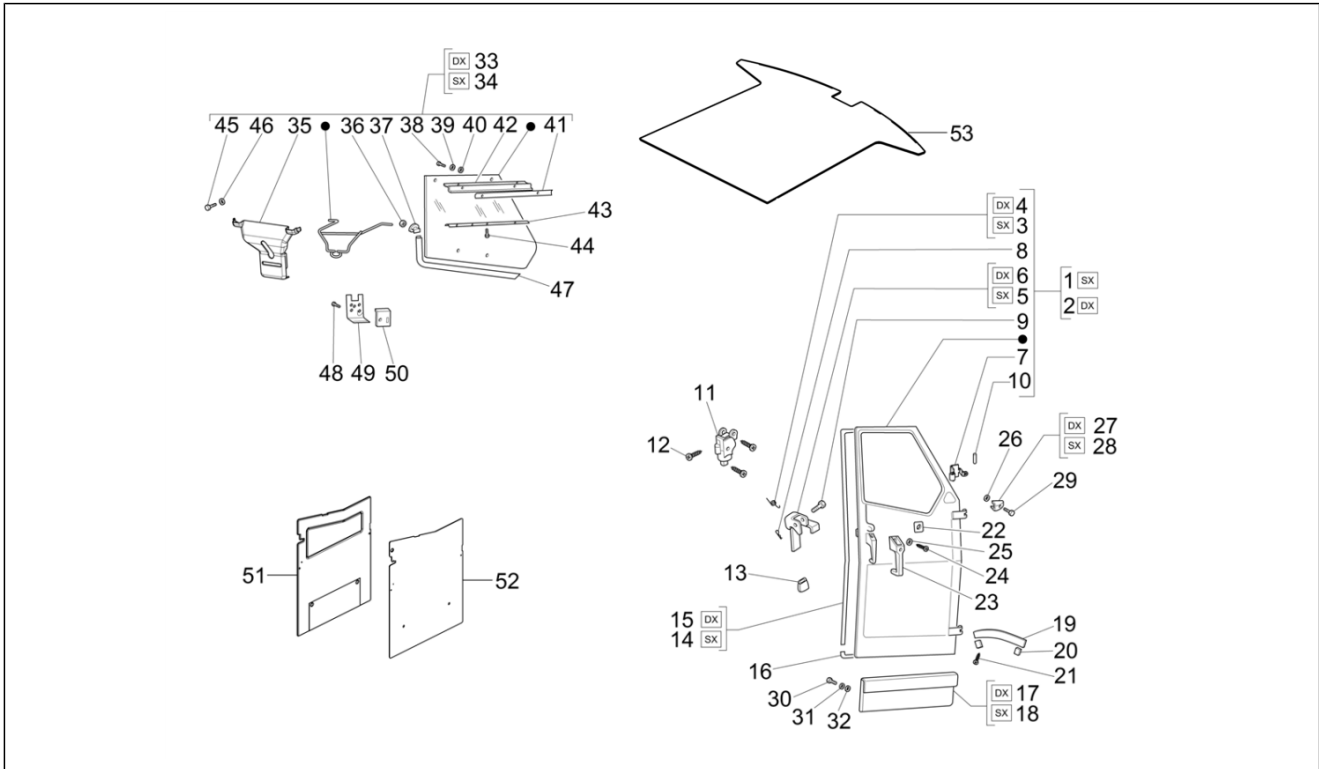
| Pos. | Code | Beschreibung | Menge | Varianten |
|------|----------|--------------------------------|-------|-----------|
| 1 | 141833 | Platte | 1 | |
| 2 | 115817 | Endkopf | 2 | |
| 3 | 246616 | Überbrückung | 1 | |
| 4 | 016404 | Flachscheibe 4,2x7,6x0,9 | 14 | |
| 5 | 031027 | Schraube | 2 | |
| 6 | 118652 | Spannstange | 2 | |
| 7 | 031086 | Schraube M6x12 | 2 | |
| 8 | 246387 | Platte | 1 | |
| 9 | 1981012 | Feder | 1 | |
| 10 | 016410 | Unterlegscheibe 17,6x11x2,5 | 1 | |
| 11 | 257094 | Griff | 1 | |
| 12 | 003058 | Flachscheibe 15x8,4x1,5 | 2 | |
| 13 | 217166 | Bolzen | 1 | |
| 14 | 2469812 | Heckklappe | 1 | |
| 15 | CM255507 | Dichtung klebemittel L=2475 mm | 1 | |

| | |
|---------------------|---|
| Einheit | Fahrgestell - Plastikformteil - Karosserien |
| Code | 02.11 |
| Beschreibung | Fahrkabine - Türen |
| Inspektion | 1 |



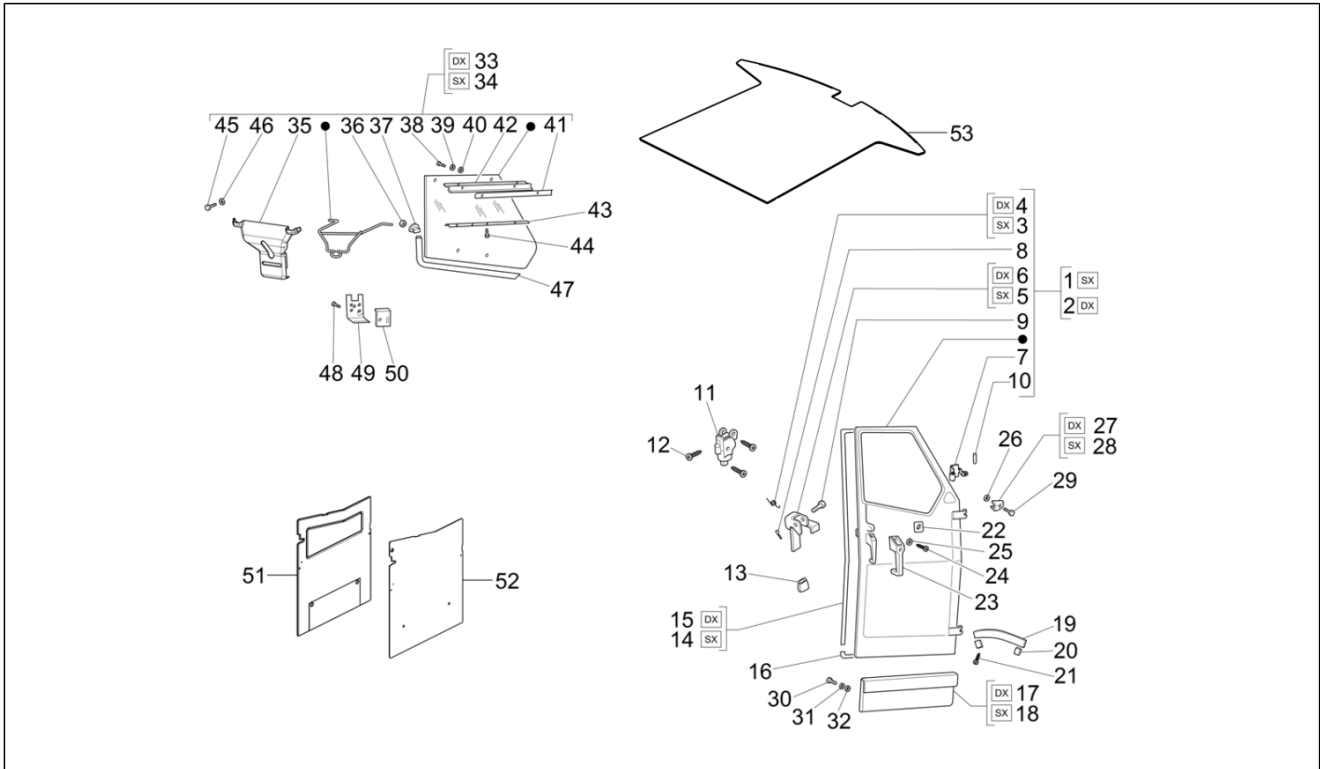
| Pos. | Code | Beschreibung | Menge | Varianten |
|------|----------|----------------------------|-------|-----------|
| 1 | 1E003080 | Linke Tür mit Innenteilen | 1 | |
| 2 | 1E003083 | Rechte Tür mit Innenteilen | 1 | |
| 3 | 116635 | Feder sx | 1 | |
| 4 | 118625 | Feder dx | 1 | |
| 5 | 567152 | Griff sx | 1 | |
| 6 | 567154 | Griff dx | 1 | |
| 7 | 565497 | Gelenk | 1 | |
| 8 | 024201 | Bolzen | 1 | |
| 9 | 012768 | Splint | 1 | |
| 10 | 008851 | Stift | 2 | |
| 11 | 660543 | Türsicherungsgehäuse LI | 1 | |
| 12 | 015859 | Schraube 3,5x16 | 3 | |
| 13 | 261405 | Schutz | 1 | |
| 14 | 1E000025 | Türdichtung vorne links sx | 1 | |
| 15 | 1E000024 | Dichtung Tür dx | 1 | |
| 16 | CM255505 | Unterdichtung sx/dx | 1 | |
| 17 | 567148 | Tafel dx | 1 | |
| 18 | 567149 | Tafel sx | 1 | |
| 19 | 175074 | Riemen | 1 | |
| 20 | 567605 | Platte | 2 | |
| 21 | 015859 | Schraube 3,5x16 | 4 | |
| 22 | 567166 | Tastenabdeckung | 1 | |
| 23 | 567174 | Griff | 1 | |
| 24 | 015994 | Linsenschraube 3,5x19* | 2 | |
| 25 | 016670 | U.scheibe 4,5x12x1 | 2 | |
| 26 | CM017410 | Federplättchen | 1 | |
| 27 | 567185 | Blende dx | 1 | |
| 28 | 567179 | Blende sx | 1 | |

| | |
|---------------------|---|
| Einheit | Fahrgestell - Plastikformteil - Karosserien |
| Code | 02.11 |
| Beschreibung | Fahrkabine - Türen |
| Inspektion | 1 |



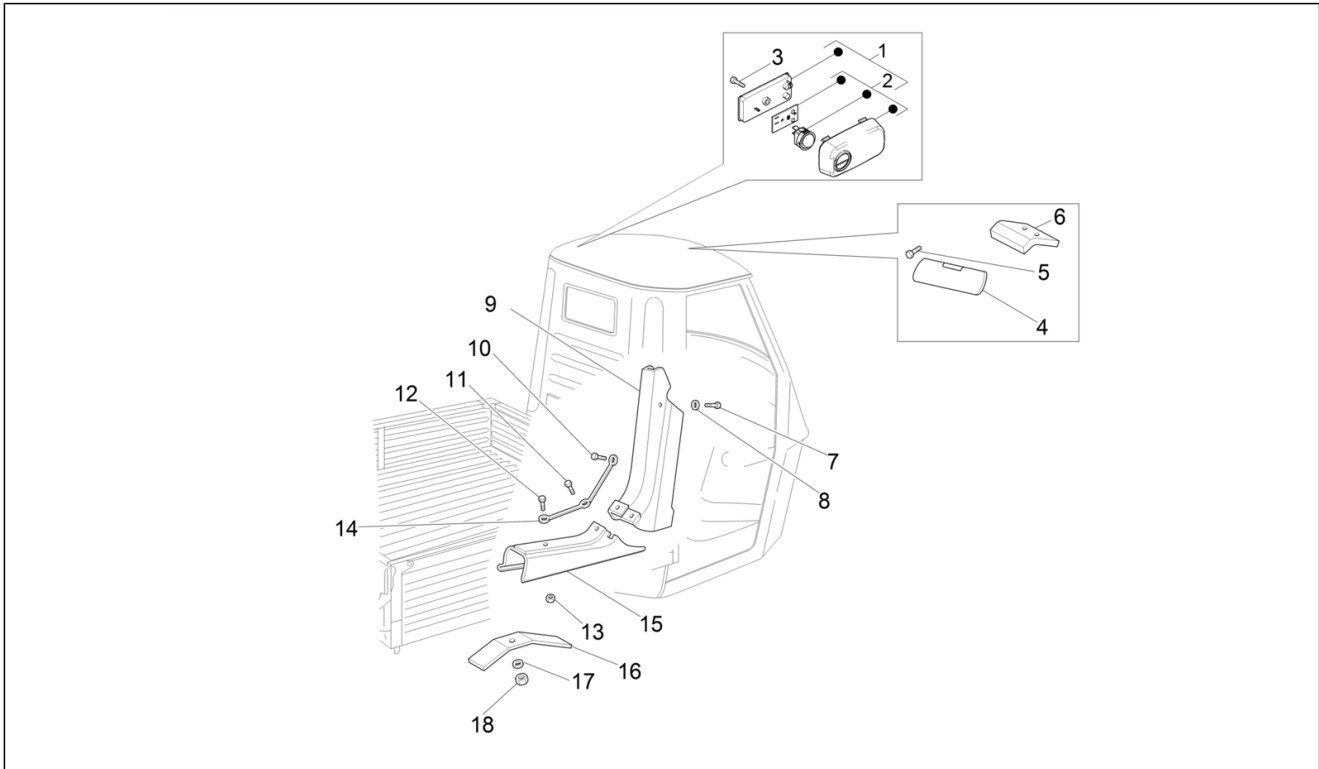
| Pos. | Code | Beschreibung | Menge | Varianten |
|------|----------|-------------------------|-------|---|
| 29 | 015911 | Blechschaube 4,2x16 | 1 | |
| 30 | 297498 | Blechschaube | 3 | |
| 31 | 013763 | Flachscheibe 4,2x12x1 | 3 | |
| 32 | 190479 | Dichtung | 3 | |
| 33 | 1E003042 | Fenster komplett rechts | 1 | |
| 34 | 1E003045 | Fenster komplett links | 1 | |
| 35 | 1E003197 | Arm | 1 | |
| 36 | 577029 | Mutter | 2 | |
| 37 | 567606 | Gelenk | 1 | |
| 38 | 567604 | Kunststoffniet | 2 | |
| 39 | 567601 | Unterlegscheibe | 2 | |
| 40 | 567603 | Unterlegscheibe | 2 | |
| 41 | B007155 | Quertrager | 1 | |
| 42 | 646259 | Profilleiste | 1 | |
| 43 | 187305 | Leiste | 1 | |
| 44 | 000675 | Schraube | 3 | |
| 45 | 1E003196 | Schraube m10x35 if | 2 | |
| 46 | 567602 | Unterlegscheibe | 2 | |
| 47 | 232679 | Dichtung | 1 | |
| 48 | 015859 | Schraube 3,5x16 | 3 | |
| 49 | 567610 | Feder | 1 | |
| 50 | 567558 | Platte | 1 | |
| 51 | CM300401 | | 1 | MODELL:Kastenwagen[F] Top (alloy dropside)[Top] Cross[Cross] |
| 51 | CM300403 | | 1 | MODELL:Short deck[PC] Long deck[PL] |
| 52 | CM300402 | | 1 | MODELL:Kastenwagen[F] Top (alloy dropside)[Top] Cross[Cross] |
| 52 | CM300404 | | 1 | MODELL:Short deck[PC] Long deck[PL] |

| | |
|---------------------|---|
| Einheit | Fahrgestell - Plastikformteil - Karosserien |
| Code | 02.11 |
| Beschreibung | Fahrkabine - Türen |
| Inspektion | 1 |



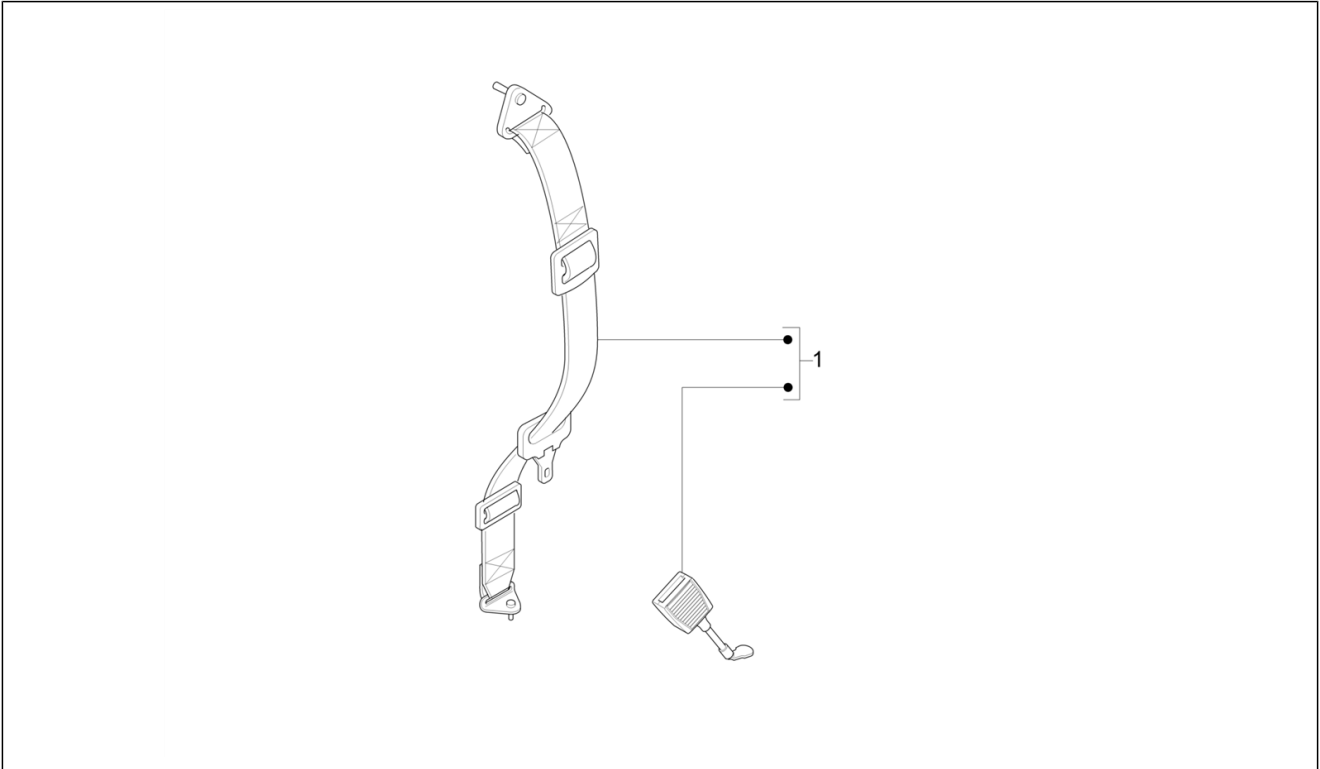
| Pos. | Code | Beschreibung | Menge | Varianten |
|------|----------|--------------|-------|-----------|
| 53 | CM300501 | | 1 | |
| 53 | CM300502 | | 1 | |

| | |
|---------------------|---|
| Einheit | Fahrgestell - Plastikformteil - Karosserien |
| Code | 02.12 |
| Beschreibung | Kabinenbauteile |
| Inspektion | 1 |



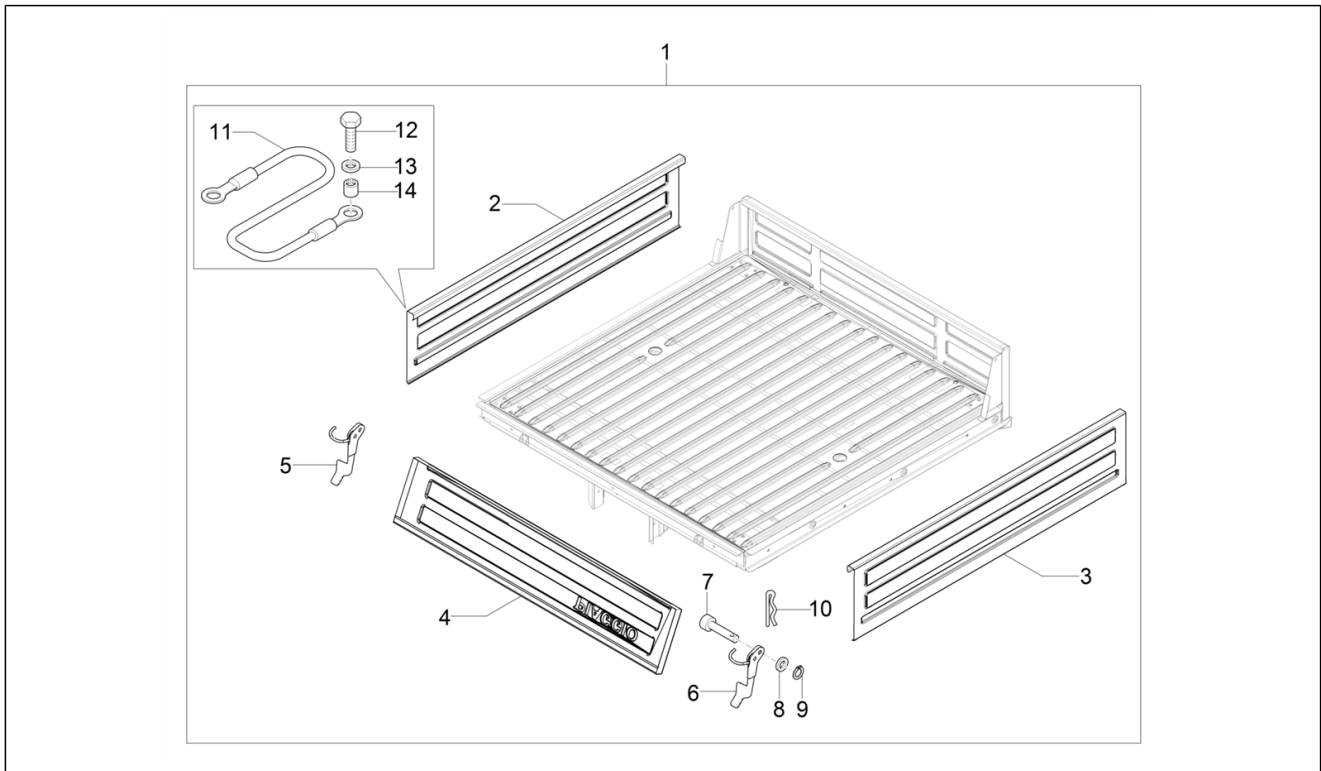
| Pos. | Code | Beschreibung | Menge | Varianten |
|------|---------------|---------------------------|-------|-----------|
| 1 | B007895 | Innenbeleuchtung | 1 | |
| 2 | B007909 | Glas mit LED-Schaltung | 1 | |
| 3 | 9356055014000 | Blechschaube | 2 | |
| 4 | 264520 | Sonnenblenden | 1 | |
| 5 | D9356055014 | Schraube | 2 | |
| 6 | 264252 | | 1 | |
| 7 | 015859 | Schraube 3,5x16 | 1 | |
| 8 | 016670 | U.scheibe 4,5x12x1 | 2 | |
| 9 | 261401 | Schutz | 1 | |
| 10 | 015859 | Schraube 3,5x16 | 1 | |
| 11 | 015911 | Blechschaube 4,2x16 | 1 | |
| 12 | 015859 | Schraube 3,5x16 | 1 | |
| 13 | 199190 | Spreizdübel | 4 | |
| 14 | 016670 | U.scheibe 4,5x12x1 | 3 | |
| 15 | 261402 | Schutz unten | 1 | |
| 16 | 116946 | Bügel | 1 | |
| 17 | 002383 | Unterlegscheibe M20x8.5x2 | 1 | |
| 18 | 002438 | Mutter | 1 | |

| | |
|---------------------|---|
| Einheit | Fahrgestell - Plastformteil - Karosserien |
| Code | 02.13 |
| Beschreibung | Sicherheitsgurte |
| Inspektion | 1 |



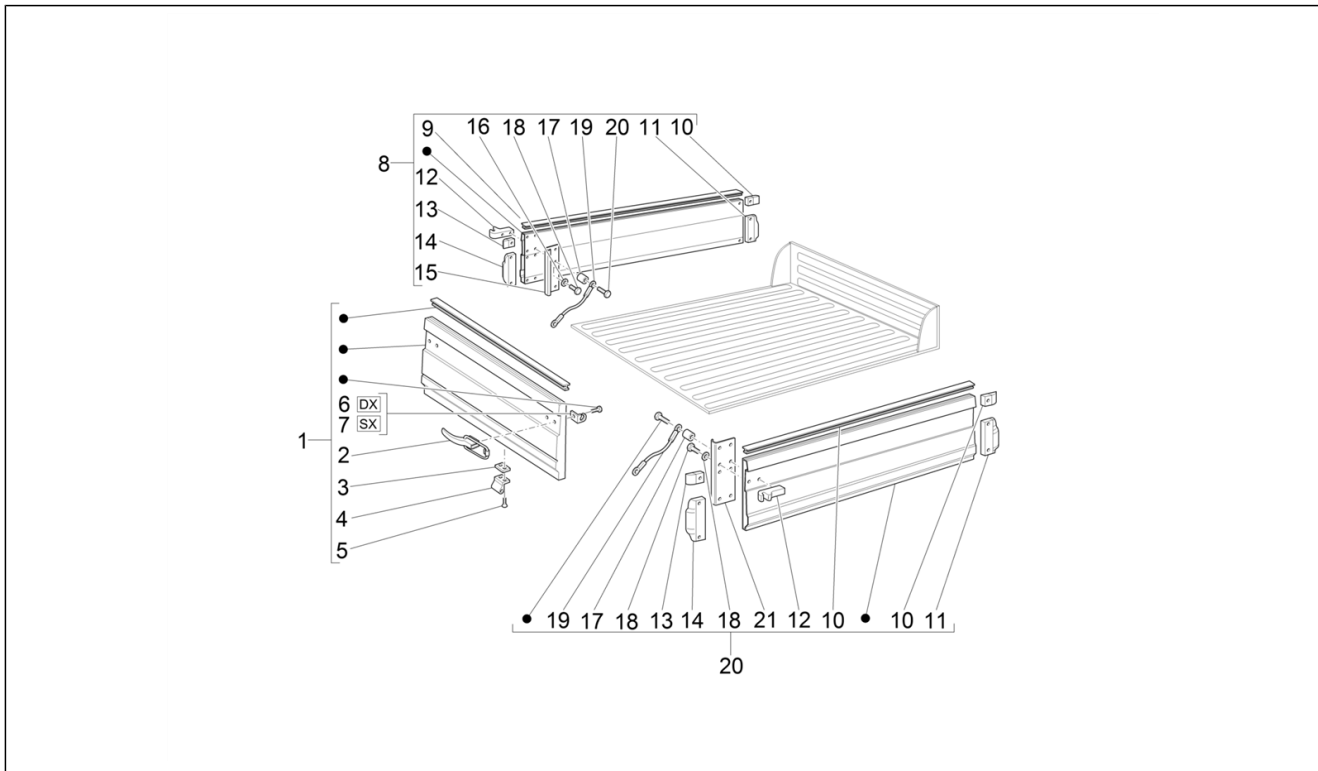
| Pos. | Code | Beschreibung | Menge | Varianten |
|------|--------|-----------------|-------|-----------|
| 1 | 56537R | Sicherheitsgurt | 1 | |

| | |
|---------------------|---|
| Einheit | Fahrgestell - Plastikformteil - Karosserien |
| Code | 02.17 |
| Beschreibung | Offene Ladefläche - Ladeklappen |
| Inspektion | 1 |



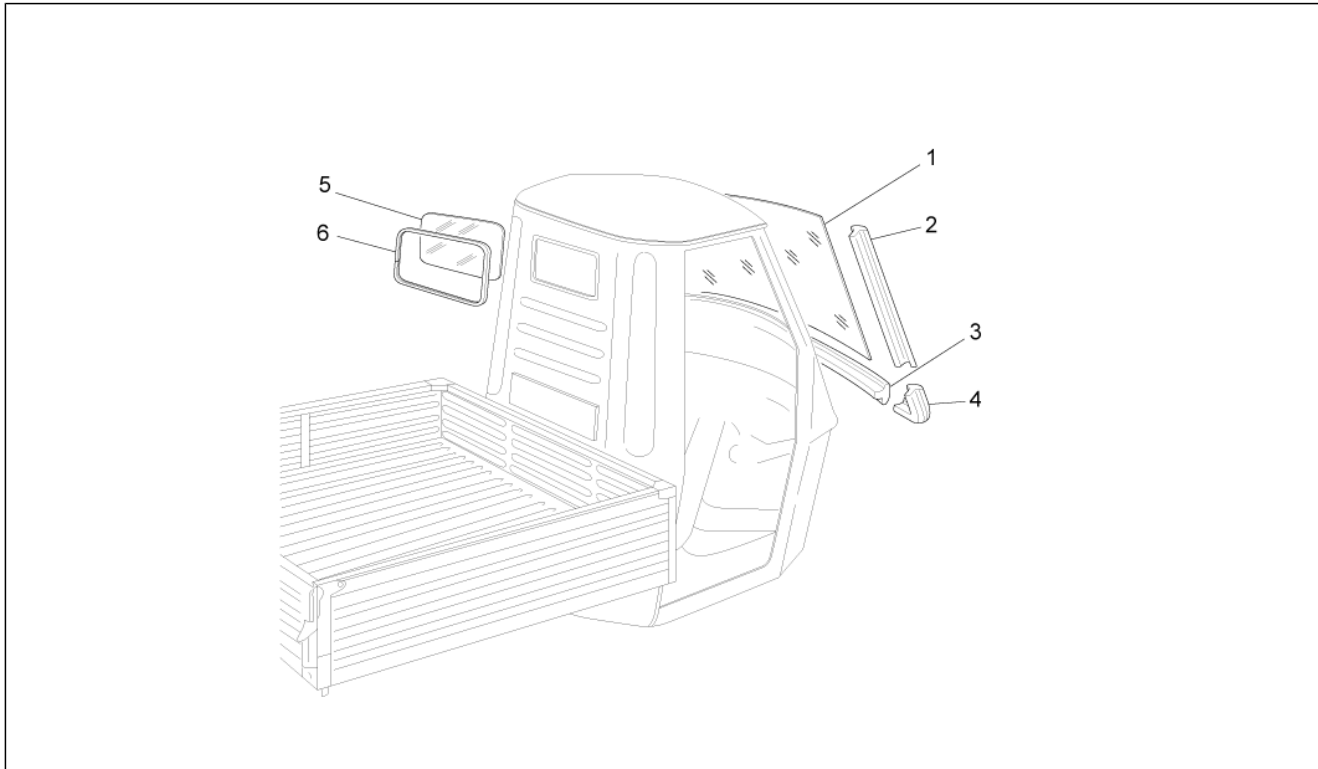
| Pos. | Code | Beschreibung | Menge | Varianten |
|------|-----------|--------------------------------------|-------|---|
| 1 | CM2974015 | Ladefläche komplett | 1 | MODELL:Long deck[PL] |
| 1 | CM2974025 | Ladefläche komplett | 1 | MODELL:Kastenwagen[F] Short deck[PC] |
| 1 | CM2974035 | Ladefläche komplett | 1 | MODELL:Cross[Cross] |
| 2 | CM0314021 | Ladeflächen-Bordwand links komplett | 1 | MODELL:Long deck[PL] |
| 2 | CM0314041 | Ladeflächen-Bordwand links komplett | 1 | MODELL:Kastenwagen[F] Short deck[PC] Cross[Cross] |
| 3 | CM0314011 | Ladeflächen-Bordwand rechts komplett | 1 | MODELL:Long deck[PL] |
| 3 | CM0314031 | Ladeflächen-Bordwand rechts komplett | 1 | MODELL:Kastenwagen[F] Short deck[PC] Cross[Cross] |
| 4 | 5653886 | Heckklappe | 1 | |
| 5 | 116627 | Griff | 1 | |
| 6 | 118917 | Griff | 1 | |
| 7 | 090742 | Bolzen | 2 | |
| 8 | 016604 | Unterlegscheibe | 2 | |
| 9 | 005967 | Ring | 2 | |
| 10 | 012761 | Splint | 2 | |
| 11 | 565779 | Kabel Stütze Heckklappe | 2 | |
| 12 | 031090 | Sechskantschraube | 4 | |
| 13 | 003056 | Flachscheibe 6,4x12x1 | 6 | |
| 14 | 243710 | Distanzscheibe | 4 | |

| | |
|---------------------|---|
| Einheit | Fahrgestell - Plastikformteil - Karosserien |
| Code | 02.19 |
| Beschreibung | Ladeflächenbauteile |
| Inspektion | 1 |



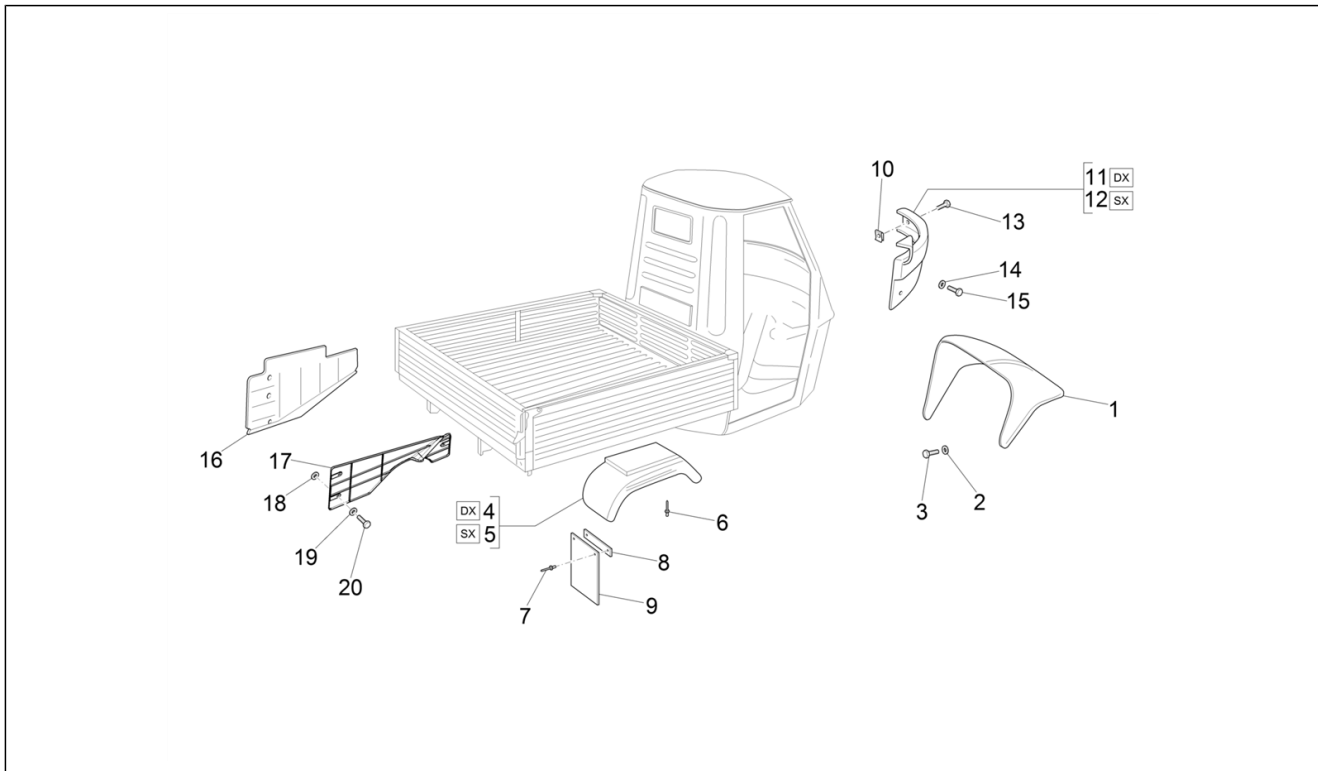
| Pos. | Code | Beschreibung | Menge | Varianten |
|------|--------|----------------------|-------|----------------------------------|
| 1 | 566920 | Klappe | 1 | MODELL:Top (alloy dropside)[Top] |
| 2 | 264785 | Vorderer hebel | 2 | |
| 3 | 565869 | Platte | 2 | |
| 4 | 566941 | Gelenk | 2 | |
| 5 | 018592 | Schraube | 4 | |
| 6 | 264948 | Kettenbefestigung DX | 1 | |
| 7 | 264949 | Kettenbefestigung SX | 1 | |
| 8 | 566918 | Bordwand links | 1 | MODELL:Top (alloy dropside)[Top] |
| 9 | 566926 | Dichtung | 2 | |
| 10 | 264743 | Dichtung | 2 | |
| 11 | 264741 | Dichtung | 2 | |
| 12 | 264778 | Haken | 2 | |
| 13 | 264742 | Dichtung | 2 | |
| 14 | 264740 | Dichtung | 2 | |
| 15 | 566924 | Hinterpfosten | 1 | |
| 16 | 569383 | Unterlegscheibe | 2 | |
| 17 | 184400 | H. Distanzscheibe | 2 | |
| 18 | 264783 | Schraube | 2 | |
| 19 | 569384 | Kabel | 2 | |
| 20 | 566919 | Bordwand links | 1 | MODELL:Top (alloy dropside)[Top] |
| 21 | 566925 | Hinterpfosten | 1 | |

| | |
|---------------------|---|
| Einheit | Fahrgestell - Plastformteil - Karosserien |
| Code | 02.27 |
| Beschreibung | Windschutzscheibe - Scheiben |
| Inspektion | 1 |



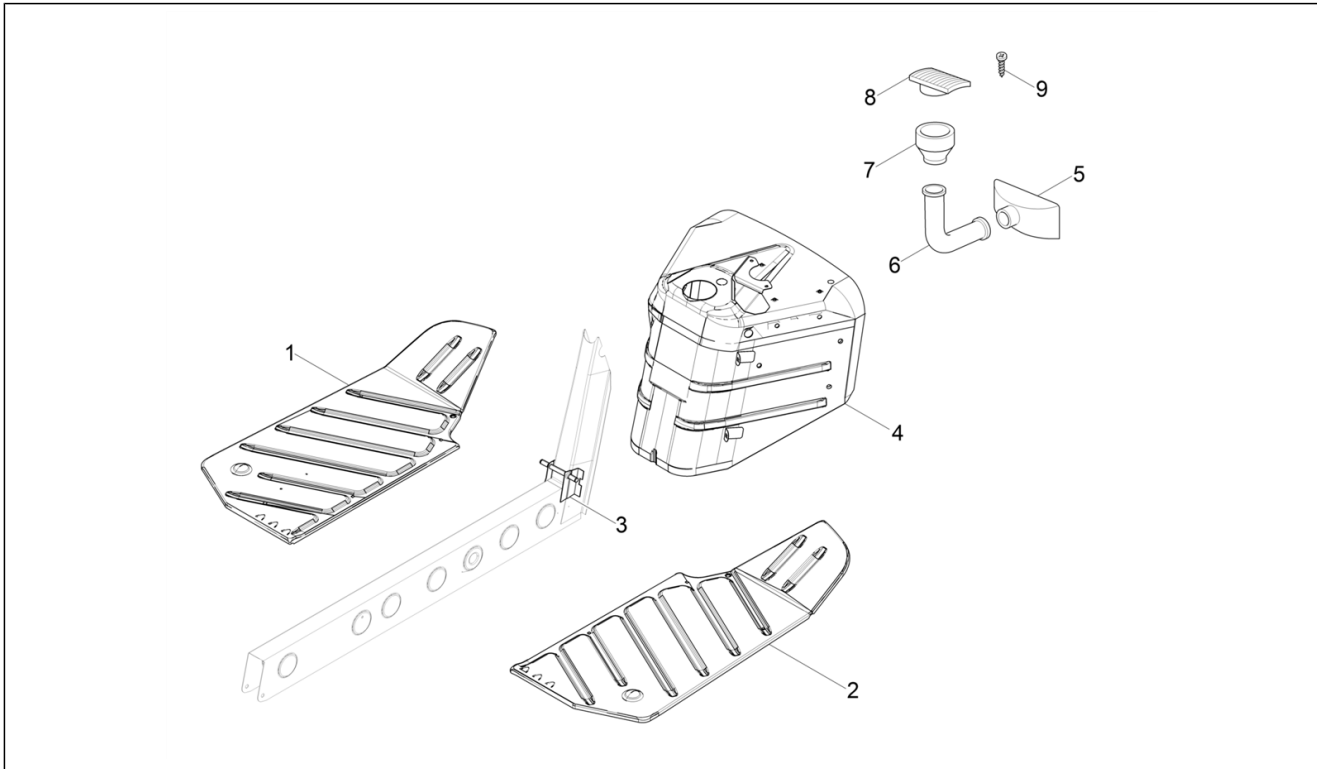
| Pos. | Code | Beschreibung | Menge | Varianten |
|------|--------|-------------------|-------|-----------|
| 1 | 612757 | Windschutzscheibe | 1 | |
| 2 | 216021 | Schlitzrohr | 2 | |
| 3 | 234471 | Schlitzrohr | 1 | |
| 4 | 661178 | Winkelstück | 2 | |
| 5 | 231726 | Scheibe | 1 | |
| 6 | 232679 | Dichtung | 1 | |

| | |
|---------------------|---|
| Einheit | Fahrgestell - Plastformteil - Karosserien |
| Code | 02.33 |
| Beschreibung | Radgehäuse - Radkotflügel |
| Inspektion | 1 |



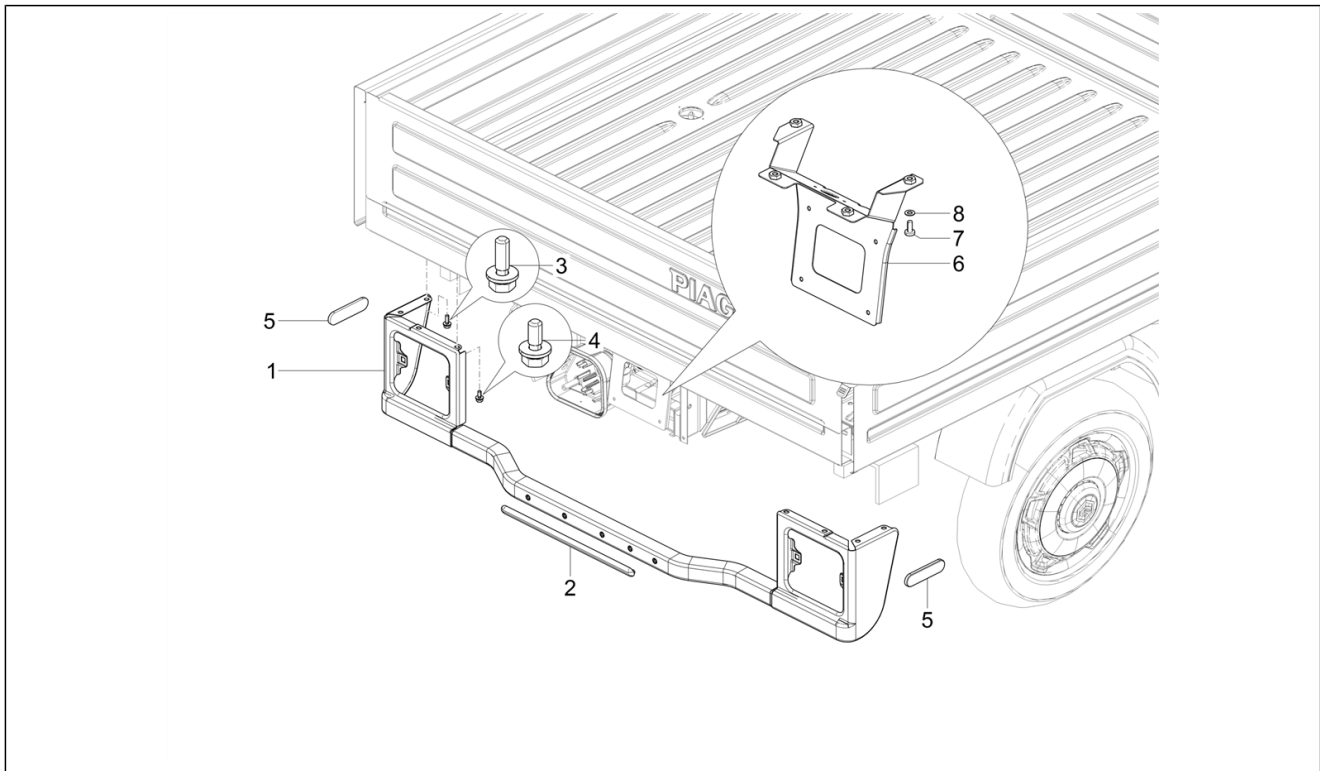
| Pos. | Code | Beschreibung | Menge | Varianten |
|------|----------|-------------------------|-------|-----------|
| 1 | 567168 | Kotflügel | 1 | |
| 2 | 013880 | Flachscheibe 16x6,5x1,5 | 4 | |
| 3 | 031089 | Sechskantschraube M6x18 | 4 | |
| 4 | 567178 | Kotflügel | 1 | |
| 5 | 567177 | Kotflügel | 1 | |
| 6 | 244474 | Kunststoffniet | 8 | |
| 7 | 298930 | Kunststoffniet | 4 | |
| 8 | 264165 | Winkel | 1 | |
| 9 | 264097 | Spritzschutz | 1 | |
| 10 | CM017416 | Federplättchen | 2 | |
| 11 | 567169 | Stoßstangen | 1 | |
| 12 | 567170 | Stoßstangen | 1 | |
| 13 | 258407 | Schraube | 2 | |
| 14 | 013836 | Unterlegscheibe | 4 | |
| 15 | 297498 | Blechschrabe | 4 | |
| 16 | 119839 | Schutzschild links | 1 | |
| 17 | 1E003047 | Schürze re | 1 | |
| 18 | CM017408 | Platte | 4 | |
| 19 | 013763 | Flachscheibe 4,2x12x1 | 4 | |
| 20 | 008246 | Schraube | 4 | |

| | |
|---------------------|---|
| Einheit | Fahrgestell - Plastikformteil - Karosserien |
| Code | 02.35 |
| Beschreibung | Vorderes Bodenpaneel |
| Inspektion | 1 |



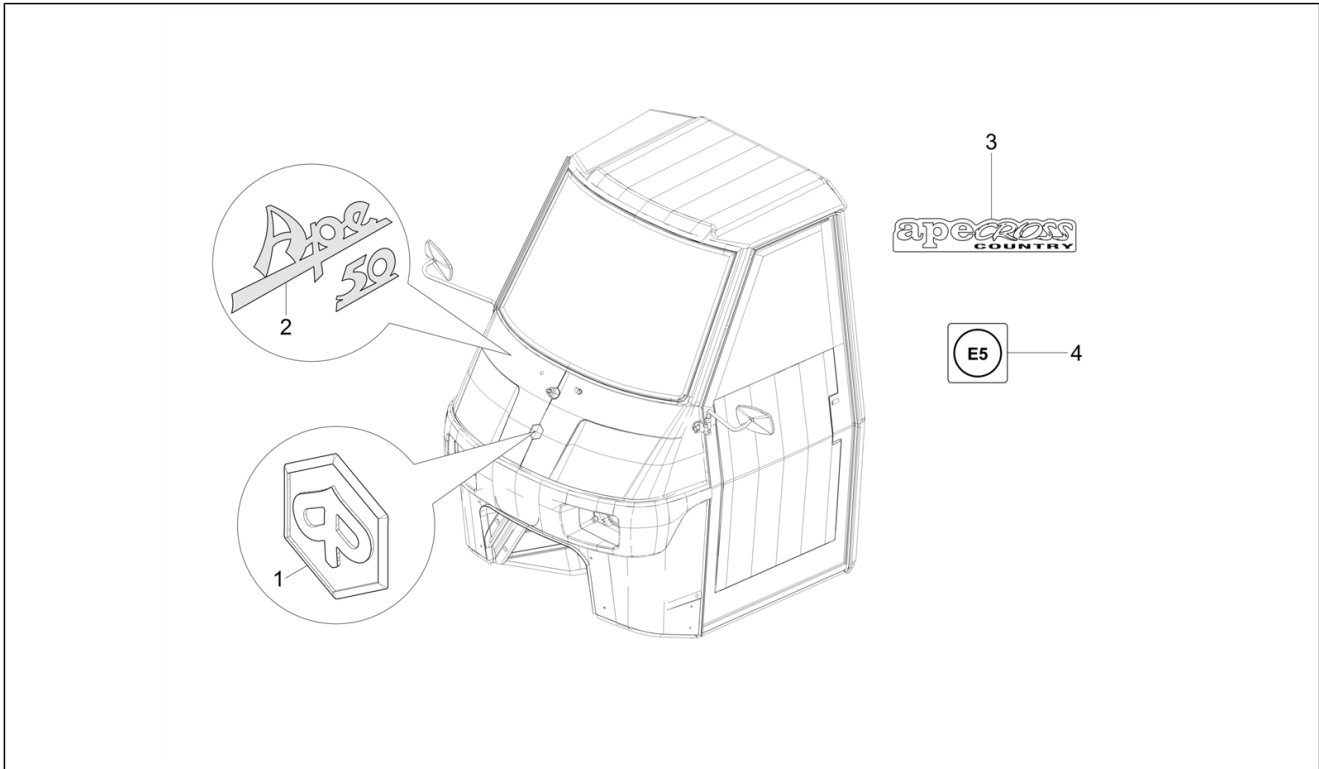
| Pos. | Code | Beschreibung | Menge | Varianten |
|------|----------|---------------------|-------|-----------|
| 1 | 5671115 | Not available | 1 | |
| 2 | 2560755 | Not available | 1 | |
| 3 | 2586375 | Halterung | 1 | |
| 4 | 1E003134 | Radfach CPI | 1 | |
| 5 | 2641105 | Luftansaugung | 1 | |
| 6 | 264081 | Leitung | 1 | |
| 7 | 264082 | Anschluß Lufteinlaß | 1 | |
| 8 | 264151 | Düse | 1 | |
| 9 | 008451 | Blehschraube 3,5x13 | 2 | |

| | |
|---------------------|---|
| Einheit | Fahrgestell - Plastformteil - Karosserien |
| Code | 02.37 |
| Beschreibung | Hinterabdeckung - Kotflügelappen |
| Inspektion | 1 |



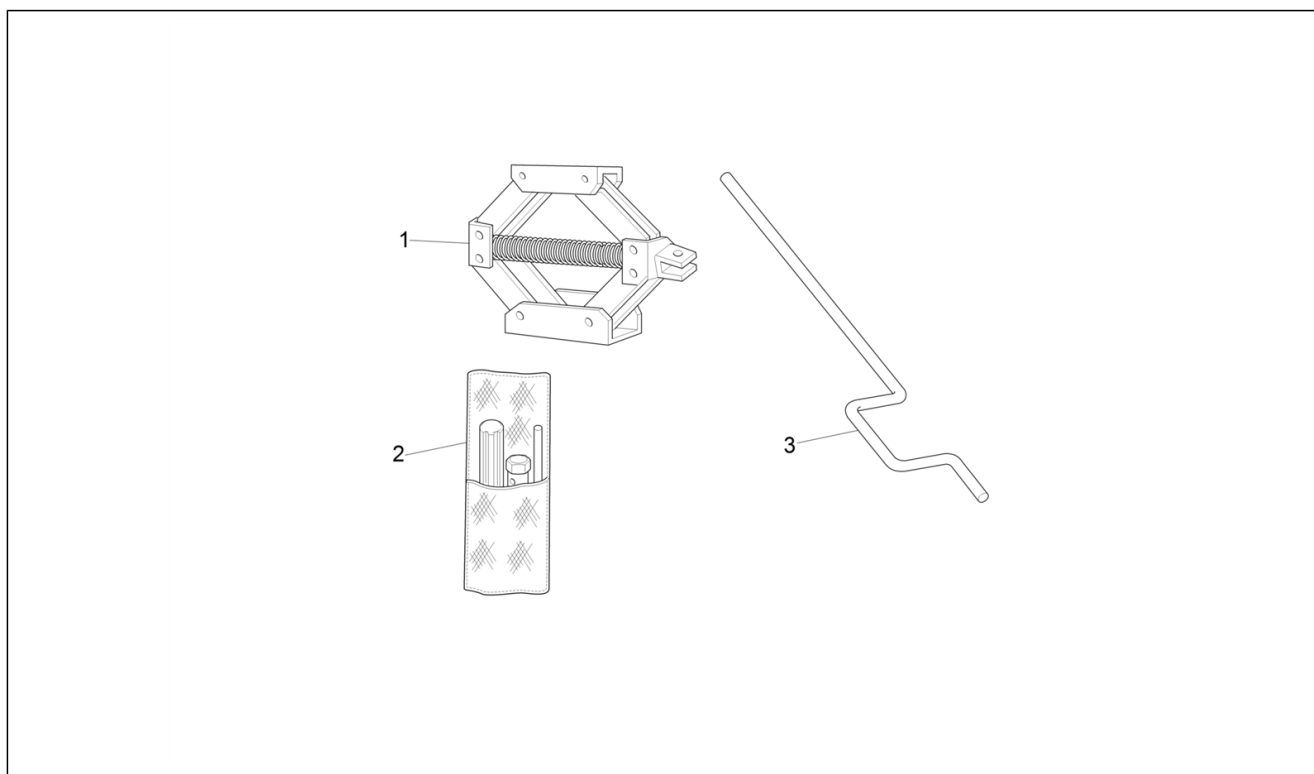
| Pos. | Code | Beschreibung | Menge | Varianten |
|------|----------|-------------------------|-------|-----------|
| 1 | 1E003052 | Stosstange hinten | 1 | |
| 2 | 567839 | Leiste | 1 | |
| 3 | CM287320 | Sechskantschraube M6x20 | 4 | |
| 4 | CM287316 | Sechskantschraube M6x16 | 4 | |
| 5 | 293556 | Rückstrahler seitlich | 1 | |
| 6 | 1E003187 | Nummernschildhalter | 1 | |
| 7 | 269170 | Schraube M6x14 | 4 | |
| 8 | 269134 | Flachscheibe | 4 | |

| | |
|---------------------|---|
| Einheit | Fahrgestell - Plastikformteil - Karosserien |
| Code | 02.38 |
| Beschreibung | Plaketten - Verzierungen |
| Inspektion | 1 |



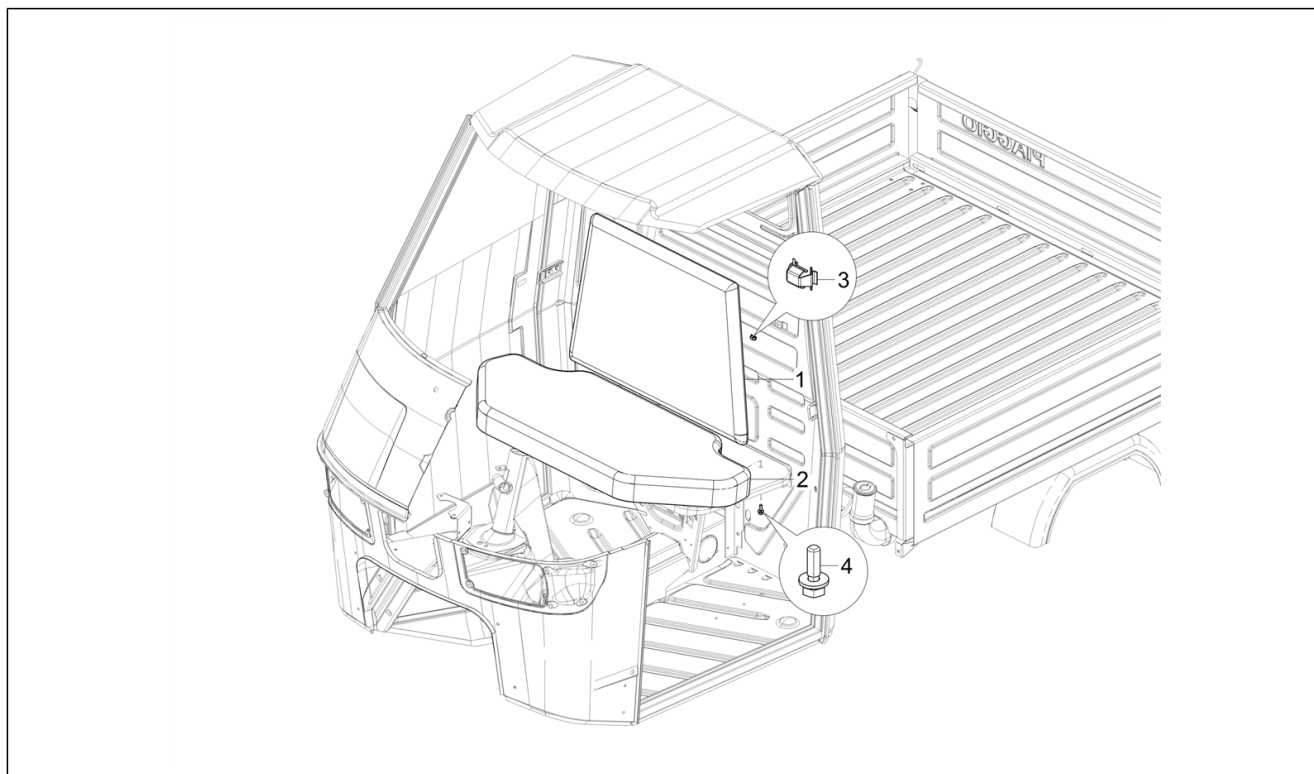
| Pos. | Code | Beschreibung | Menge | Varianten |
|------|----------|---------------------------------|-------|-----------------------------|
| 1 | 1E003228 | Piaggio-Emblem | 1 | |
| 2 | B025153 | Frontschild "Ape 50" | 1 | |
| 3 | 569562 | Frontschild "Ape Cross Country" | 1 | MODELL: Cross[Cross] |
| 3 | 569564 | Heckschild "Ape Cross Country" | 1 | MODELL: Cross[Cross] |
| 4 | 1E003411 | | 1 | |

| | |
|---------------------|---|
| Einheit | Fahrgestell - Plastformteil - Karosserien |
| Code | 02.39 |
| Beschreibung | Sitzbank/Sitzbänke - Werkzeugtasche |
| Inspektion | 1 |



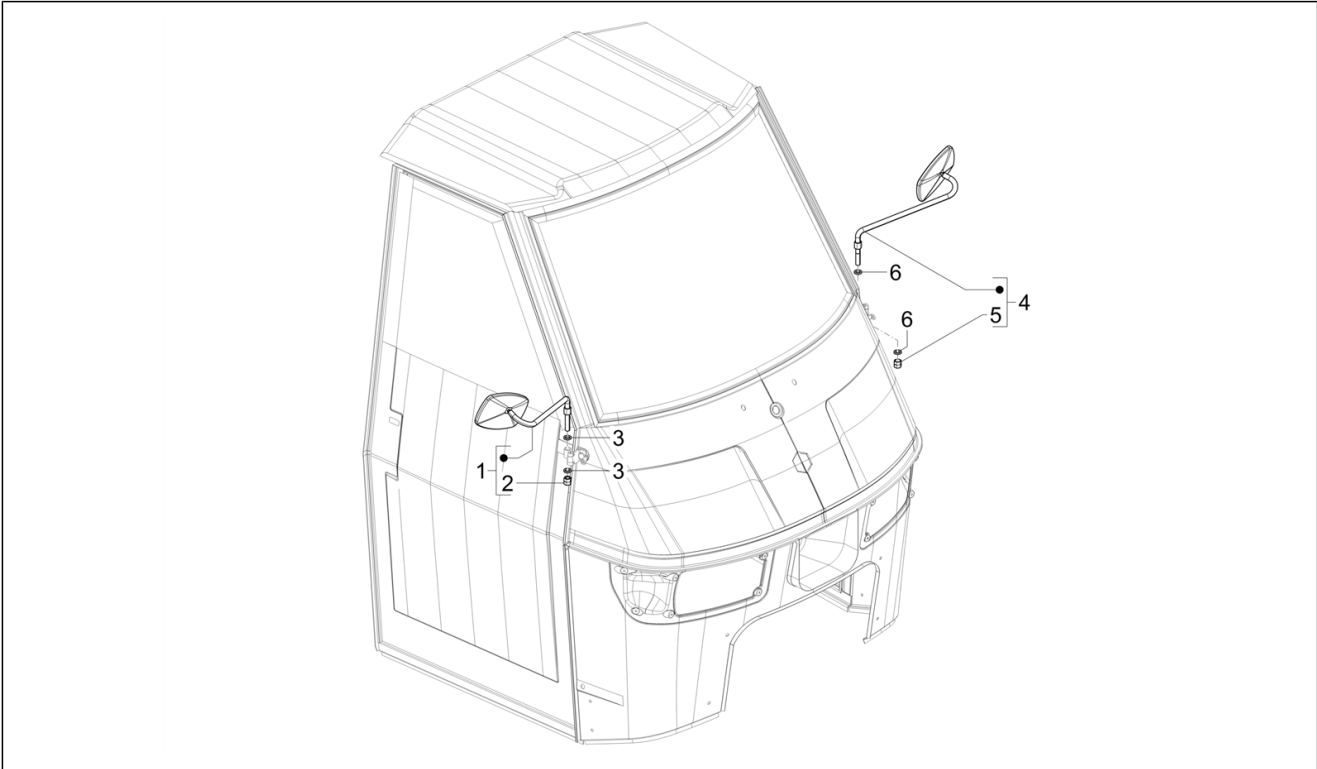
| Pos. | Code | Beschreibung | Menge | Varianten |
|------|--------|-------------------|-------|-----------|
| 1 | 55568R | Wagenheber | 1 | |
| 2 | 561865 | Werkzeugtasche | 1 | |
| 3 | 566871 | Kurbel wagenheber | 1 | |

| | |
|---------------------|---|
| Einheit | Fahrgestell - Plastformteil - Karosserien |
| Code | 02.40 |
| Beschreibung | Vordersitze |
| Inspektion | 1 |



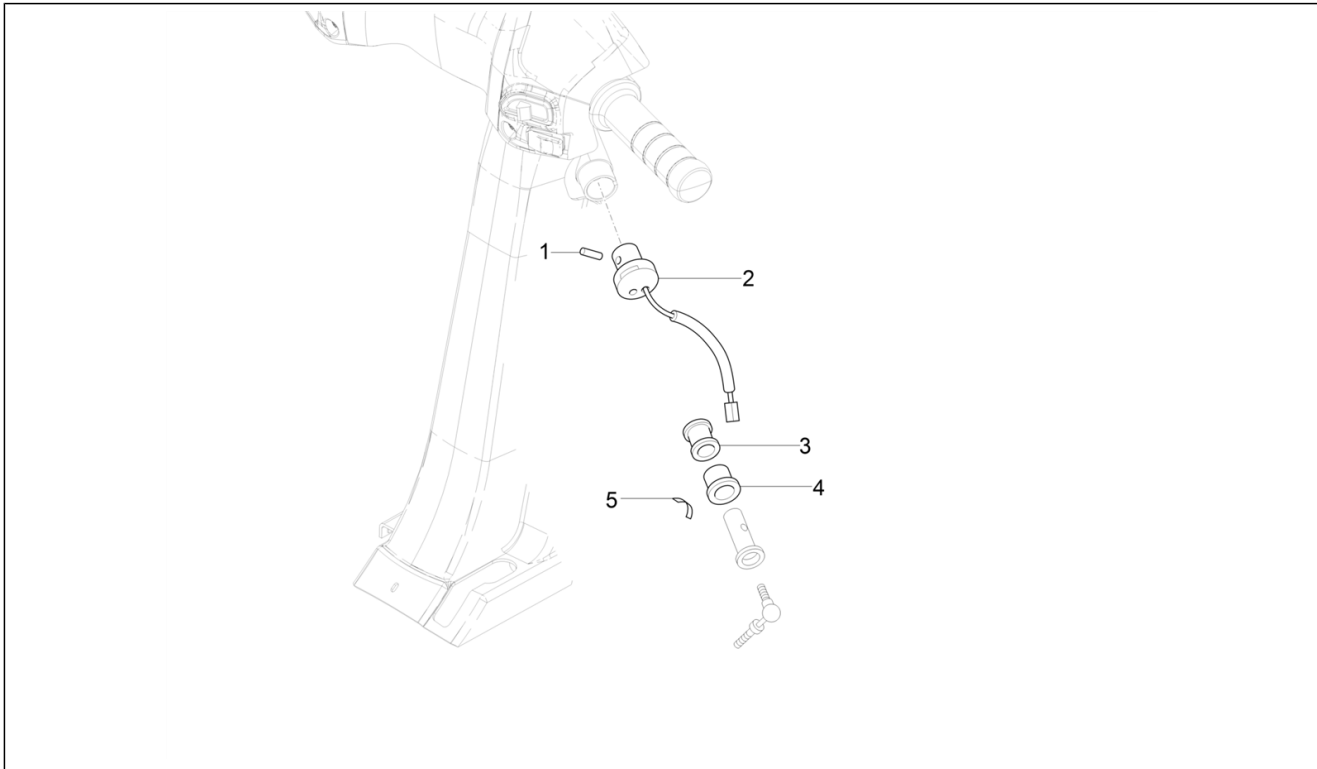
| Pos. | Code | Beschreibung | Menge | Varianten |
|------|----------|---------------------------|-------|--|
| 1 | CM300301 | Rückenlehne rot | 1 | |
| 1 | CM300302 | | 1 | |
| 1 | CM300601 | Rückenlehne rot | 1 | Modellversion: Limited speed version (25 Km/h)[25 Km/h] |
| 1 | CM300602 | | 1 | Modellversion: Limited speed version (25 Km/h)[25 Km/h] |
| 2 | CM300202 | Sitzkissen komplett Nero | 1 | |
| 2 | CM300201 | Sitzkissen komplett Rosso | 1 | |
| 3 | 194721 | Klammer | 4 | |
| 4 | CM287320 | Sechskantschraube M6x20 | 4 | |

| | |
|---------------------|---|
| Einheit | Fahrgestell - Plastformteil - Karosserien |
| Code | 02.45 |
| Beschreibung | Rückspiegel/n |
| Inspektion | 1 |



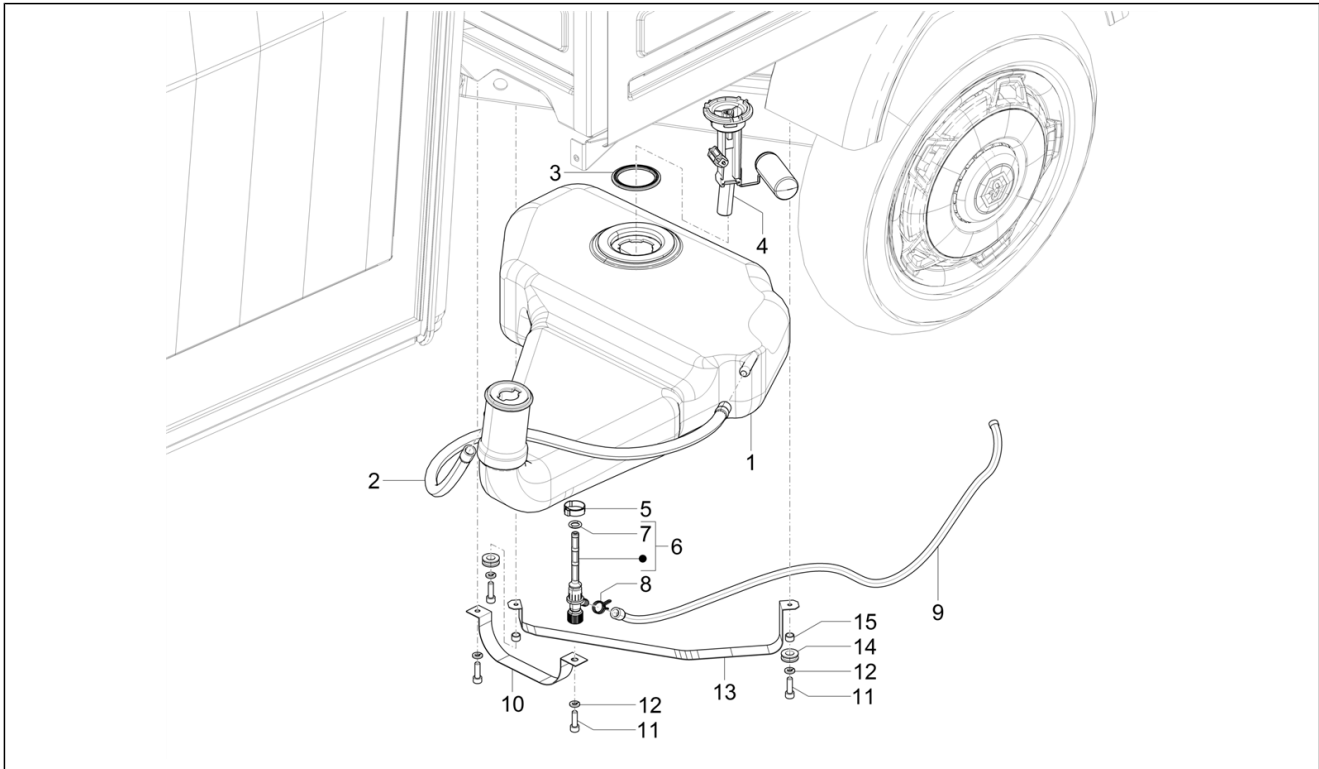
| Pos. | Code | Beschreibung | Menge | Varianten |
|------|----------|--------------------|-------|-----------|
| 1 | 1E002760 | Rückspiegel rechts | 1 | |
| 2 | 1E003514 | | 1 | |
| 3 | 003060 | Flachscheibe | 2 | |
| 4 | 1E002761 | Rückspiegel links | 1 | |
| 5 | 1E003515 | | 1 | |
| 6 | 003060 | Flachscheibe | 2 | |

| | |
|---------------------|---|
| Einheit | Fahrgestell - Plastikformteil - Karosserien |
| Code | 02.46 |
| Beschreibung | Schloßen |
| Inspektion | 1 |



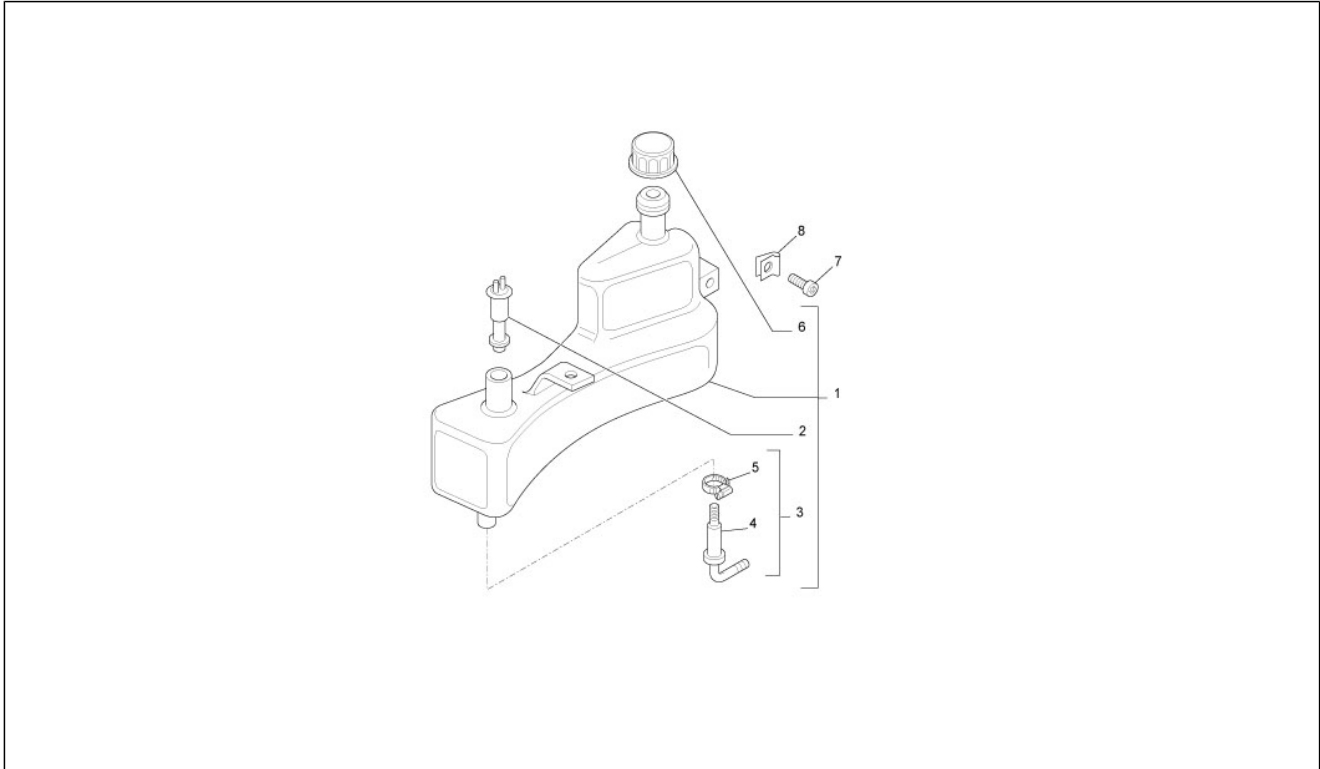
| Pos. | Code | Beschreibung | Menge | Varianten |
|------|---------|-------------------|-------|-----------|
| 1 | 018515 | Feststellschraube | 1 | |
| 2 | 291582 | ZÜNDSCHLOSS | 1 | |
| 3 | 178562 | Steckverbindung | 1 | |
| 4 | B023653 | Schlosszylinder | 1 | |
| 5 | 178559 | Platte | 1 | |
| 6 | B023231 | | 1 | |

| | |
|---------------------|---|
| Einheit | Fahrgestell - Plastikformteil - Karosserien |
| Code | 02.47 |
| Beschreibung | Benzintank |
| Inspektion | 1 |



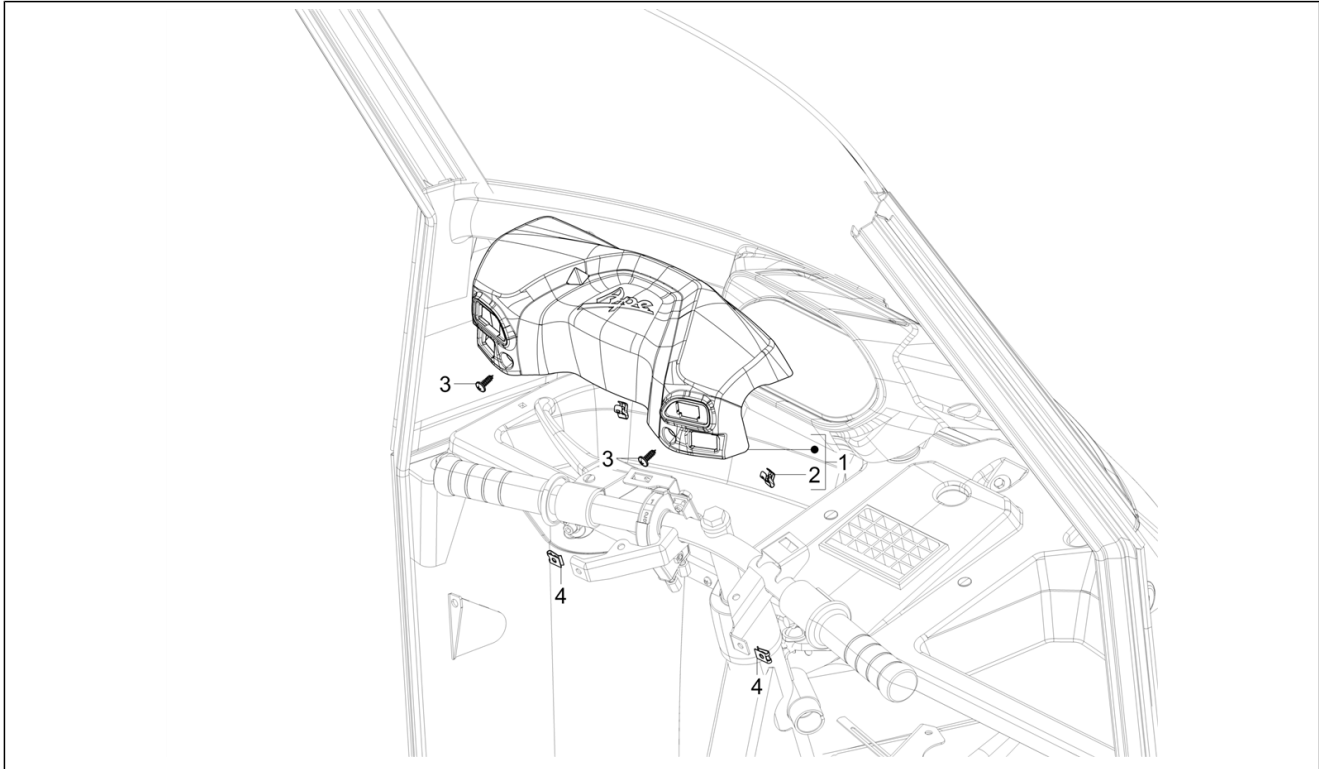
| Pos. | Code | Beschreibung | Menge | Varianten |
|------|----------|----------------------|-------|-----------|
| 1 | 1E003062 | Kraftstofftank kpl. | 1 | |
| 2 | CM031701 | Leitung | 1 | |
| 3 | 1E003064 | Dichtung | 1 | |
| 4 | 1D002522 | Benzinanzeiger | 1 | |
| 5 | B023531 | Schlauchschelle | 1 | |
| 6 | 1E003065 | Kraftstoffhahn | 1 | |
| 7 | 235661 | Dichtung | 1 | |
| 8 | CM002907 | Schelle | 1 | |
| 9 | CM002503 | Leitung | 1 | |
| 10 | 255800 | Strang | 1 | |
| 11 | 709674 | TCEI Schraube M6x20 | 4 | |
| 12 | 016406 | Federring 6,4x11,8x1 | 4 | |
| 13 | 255799 | Strang | 1 | |
| 14 | 256415 | Puffer | 2 | |
| 15 | 256416 | Distanzscheibe | 2 | |

| | |
|---------------------|---|
| Einheit | Fahrgestell - Plastformteil - Karosserien |
| Code | 02.52 |
| Beschreibung | Öltank |
| Inspektion | 1 |



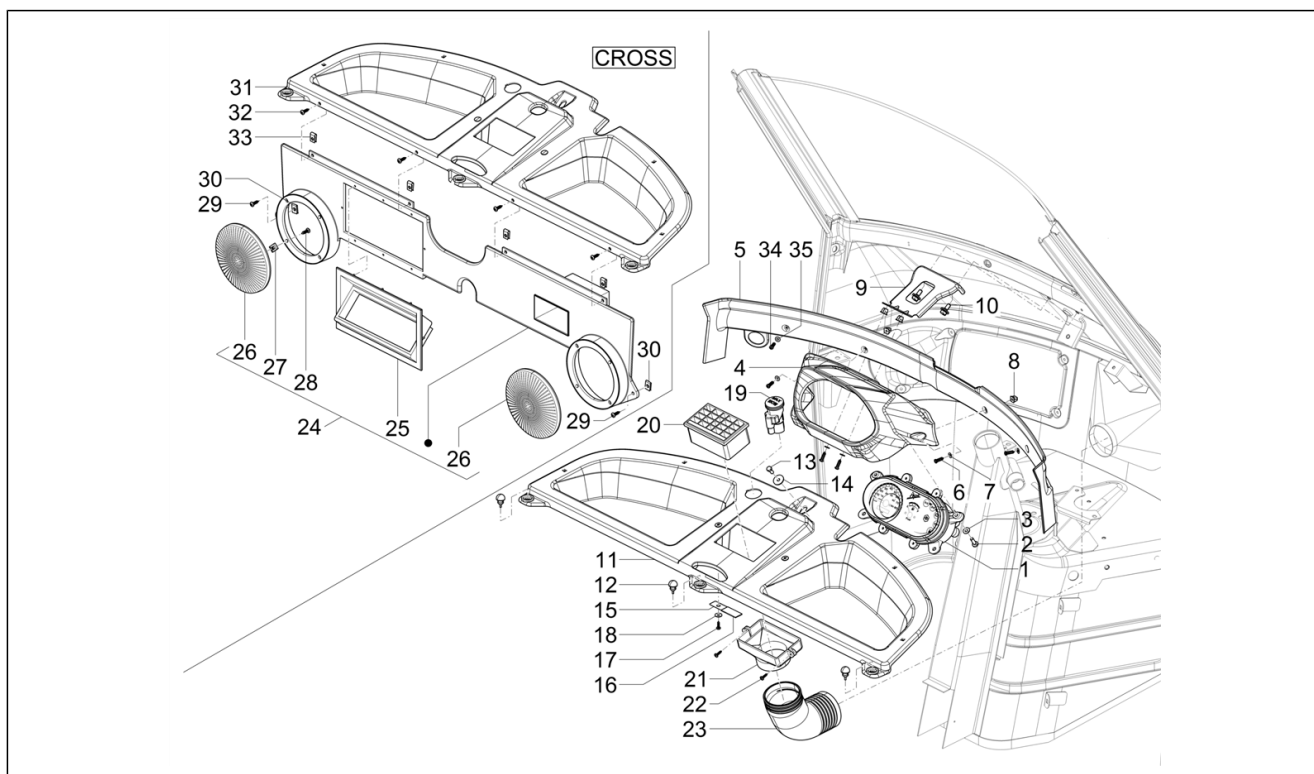
| Pos. | Code | Beschreibung | Menge | Varianten |
|------|--------|-------------------------|-------|-----------|
| 1 | 566960 | Öltank | 1 | |
| 2 | 573080 | Schwimmer | 1 | |
| 3 | 574362 | Anschlussstück komplett | 1 | |
| 4 | 196868 | Dichtung | 1 | |
| 5 | 577557 | Schelle | 1 | |
| 6 | 566962 | Tankverschluss | 1 | |
| 7 | 575249 | Metrische Schraube TBC | 2 | |
| 8 | 254485 | Federplättchen M6 | 1 | |

| | |
|---------------------|------------------|
| Einheit | Lenker/Lenkung |
| Code | 03.01 |
| Beschreibung | Lenker Deckungen |
| Inspektion | 1 |



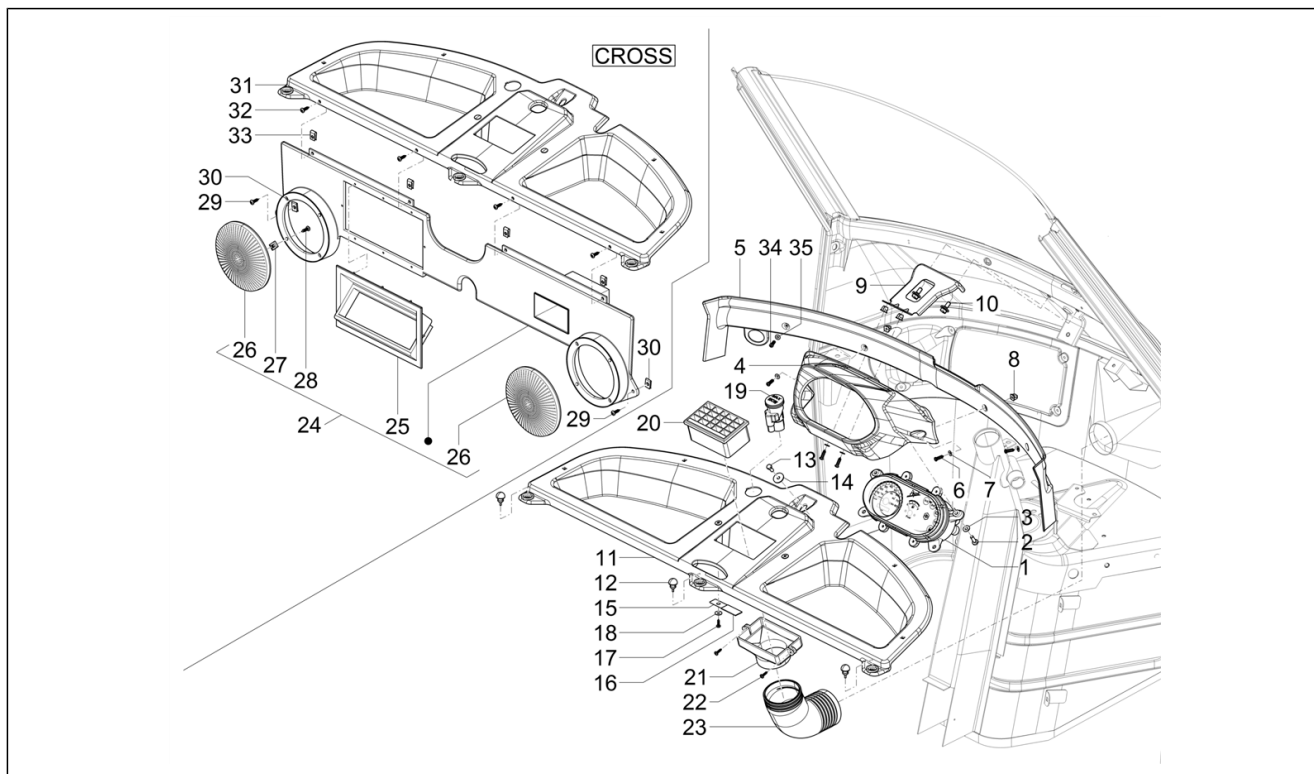
| Pos. | Code | Beschreibung | Menge | Varianten |
|------|---------------|----------------------------|-------|-----------|
| 1 | 1E003254 | Lenkerverkleidung komplett | 1 | |
| 2 | 9004468091000 | Klemme | 1 | |
| 3 | CM288816 | Blehschraube | 2 | |
| 4 | D9004183025 | Federplättchen | 2 | |

| | |
|---------------------|--------------------------------|
| Einheit | Lenker/Lenkung |
| Code | 03.02 |
| Beschreibung | Cockpitinstrumente - Cruscotto |
| Inspektion | 1 |



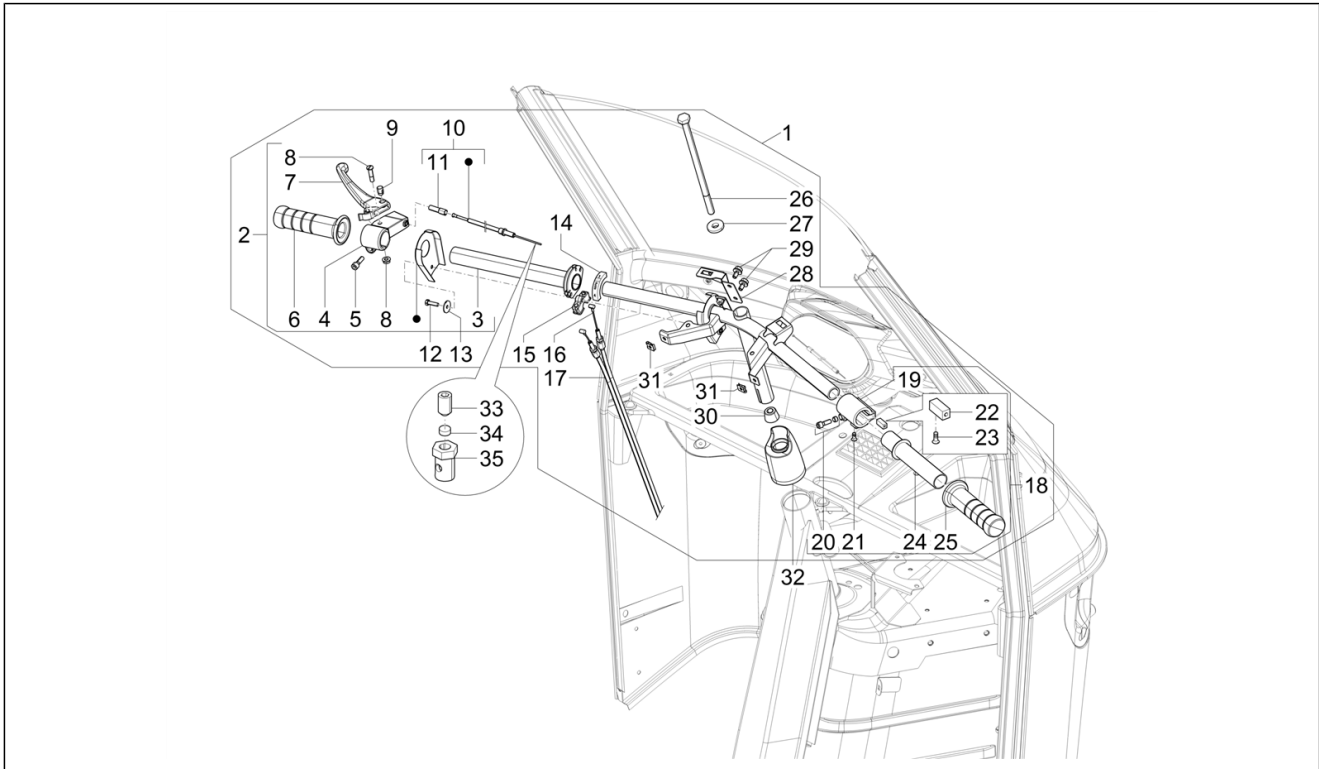
| Pos. | Code | Beschreibung | Menge | Varianten |
|------|----------|---|-------|-----------|
| 1 | 1D002521 | Instrumenteneinheit | 1 | |
| 2 | 015715 | Schraube M5x16 | 4 | |
| 3 | 006078 | Flachscheibe 12x5.2x1 | 4 | |
| 4 | 1E003236 | Instrumententafel roh | 1 | |
| 5 | 567195 | Randleiste | 1 | |
| 6 | 018519 | Blechschaube | 2 | |
| 7 | 256382 | Unterlegscheibe | 2 | |
| 8 | 157716 | Spreizdübel | 4 | |
| 9 | 1E003255 | | 1 | |
| 10 | CM288916 | Sechskantschraube mit doppelter Unterlegscheibe M6x16 | 2 | |
| 11 | CM299601 | | 1 | |
| 12 | 118259 | Gumminiet | 3 | |
| 13 | 031056 | Schraube M5x12 | 1 | |
| 14 | 006018 | Unterlegscheibe | 1 | |
| 15 | 291447 | Platte | 1 | |
| 16 | CM007428 | Schutzhuelse | 1 | |
| 17 | 008451 | Blechschaube 3,5x13 | 1 | |
| 18 | 013763 | Flachscheibe 4,2x12x1 | 1 | |
| 19 | B007157 | Steckdose | 1 | |
| 20 | 264151 | Düse | 1 | |
| 21 | 264082 | Anschluß Lufterinlaß | 1 | |
| 22 | 008451 | Blechschaube 3,5x13 | 2 | |
| 23 | 264081 | Leitung | 1 | |
| 24 | 568939 | Instrumententafel | 1 | |
| 25 | 1E003235 | | 1 | |
| 26 | 263372 | Deckel | 2 | |
| 27 | CM017408 | Platte | 8 | |

| | |
|---------------------|--------------------------------|
| Einheit | Lenker/Lenkung |
| Code | 03.02 |
| Beschreibung | Cockpitinstrumente - Cruscotto |
| Inspektion | 1 |



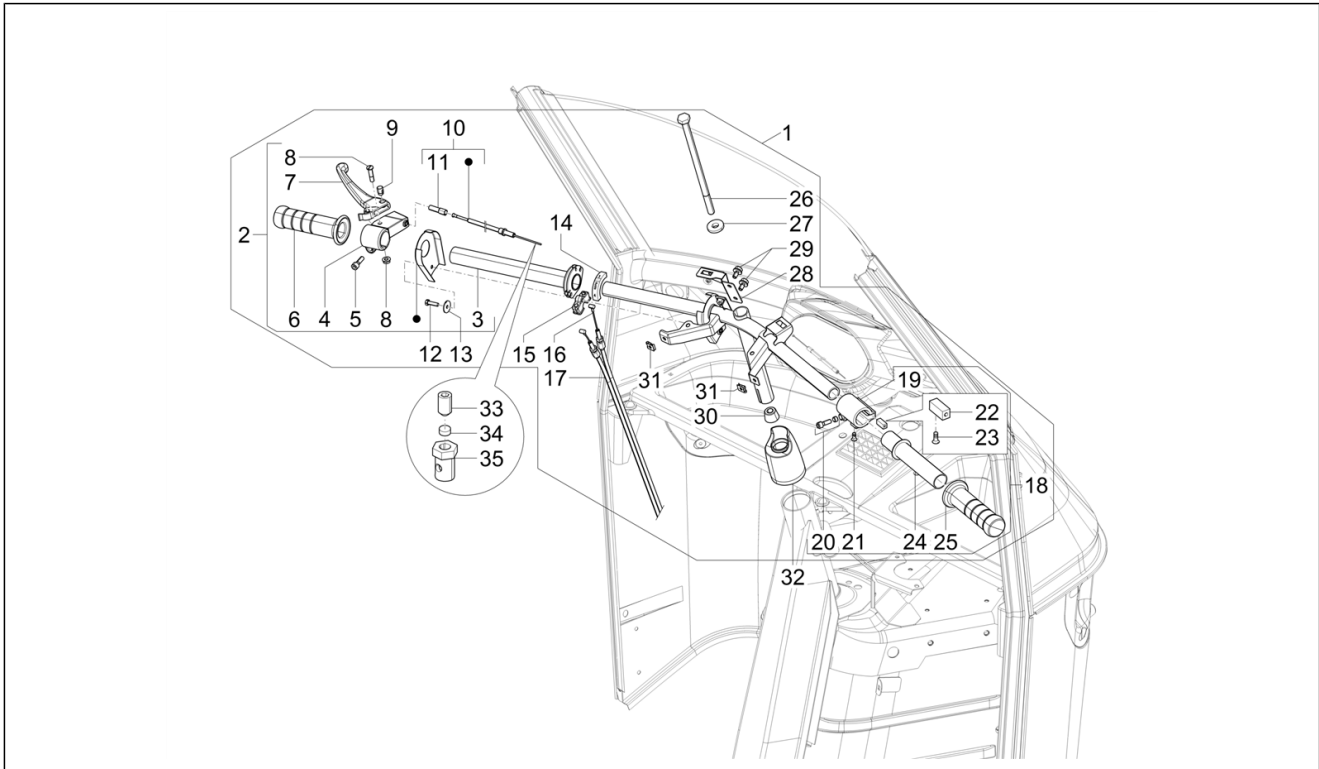
| Pos. | Code | Beschreibung | Menge | Varianten |
|------|----------|---------------------|-------|-----------|
| 28 | 015911 | Blehschraube 4,2x16 | 8 | |
| 29 | 015911 | Blehschraube 4,2x16 | 2 | |
| 30 | CM017408 | Platte | 2 | |
| 31 | CM299602 | | 1 | |
| 32 | 015911 | Blehschraube 4,2x16 | 4 | |
| 33 | CM017401 | Platte | 4 | |
| 34 | 018536 | Gew.schr. 3,5x13 | 2 | |
| 35 | 256382 | Unterlegscheibe | 2 | |

| | |
|---------------------|-----------------------------|
| Einheit | Lenker/Lenkung |
| Code | 03.06 |
| Beschreibung | Lenker - Hauptbremszylinder |
| Inspektion | 1 |



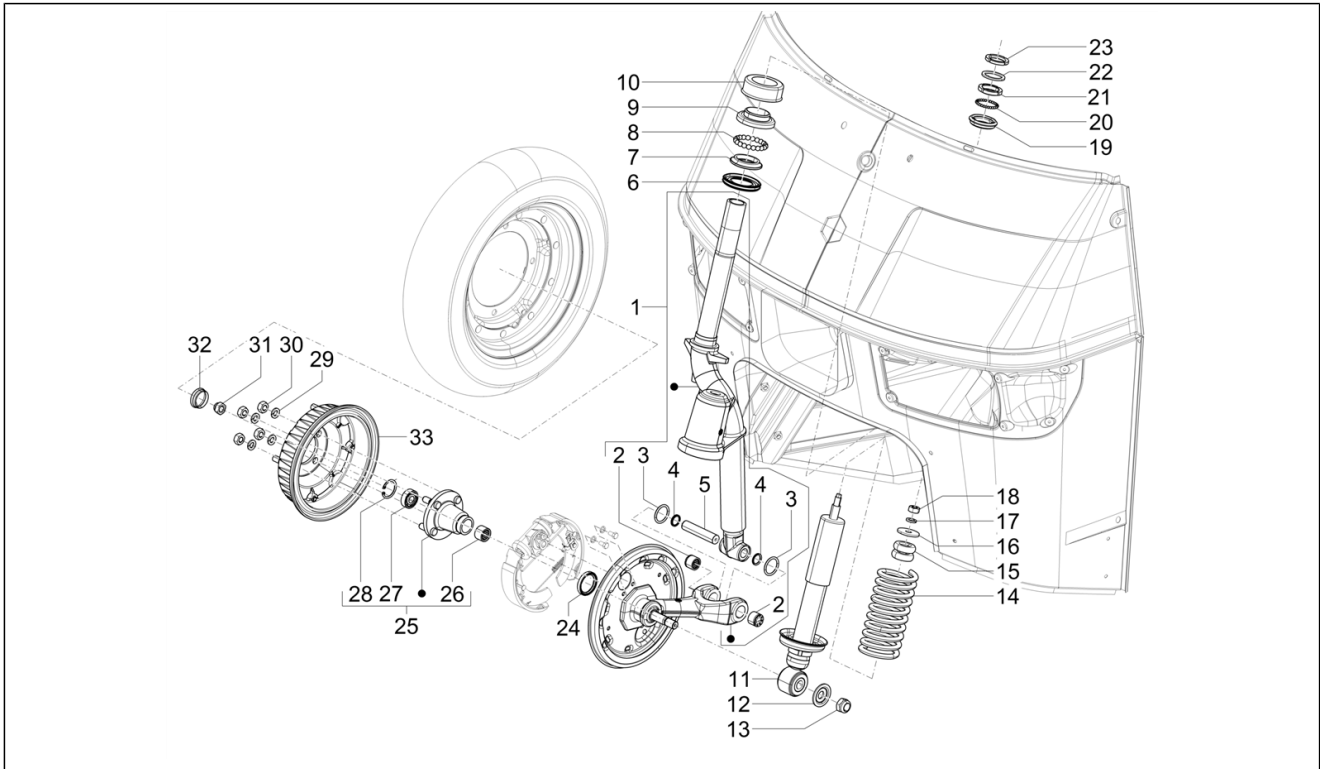
| Pos. | Code | Beschreibung | Menge | Varianten |
|------|-----------|-----------------------------|-------|--|
| 1 | 1E0030665 | Kompletter Lenker | 1 | |
| 1 | 1E0032425 | Kompletter Lenker | 1 | Modellversion: Limited speed version (25 Km/h)[25 Km/h] |
| 2 | 1E003184 | Schaltrohr | 1 | |
| 3 | 265728 | Schaltrohr | 1 | |
| 4 | 265860 | | 1 | |
| 5 | 1E001264 | TCEI Schraube M6x20 | 1 | |
| 6 | 229741 | Griff | 1 | |
| 7 | 261688 | Kupplungshebel | 1 | |
| 8 | 121780 | Schraube und Mutter | 1 | |
| 9 | 178709 | Bolzen | 1 | |
| 10 | B007702 | Getriebe kupplungssteuerung | 1 | |
| 11 | 146197 | Regelschraube | 1 | |
| 12 | 031059 | Schraubbolzen | 1 | |
| 13 | 006018 | Unterlegscheibe | 1 | |
| 14 | 569215 | Zahnsegment Bezug Gänge | 1 | |
| 14 | 1E003285 | Zahnsegment Bezug Gänge | 1 | Modellversion: Limited speed version (25 Km/h)[25 Km/h] |
| 15 | 137347 | Stift | 1 | |
| 16 | 658207 | Schaltzug | 1 | |
| 17 | 658208 | Schaltzug | 1 | |
| 18 | 1E003174 | Muffe Gaszug komplett | 1 | |
| 19 | 1E003186 | Muffe Gaszug | 1 | |
| 20 | 123394 | Schraube mit Buchse | 1 | |
| 21 | 123389 | Schraube | 1 | |
| 22 | 229935 | Gleitbacke | 1 | |
| 23 | 123391 | Schraube | 1 | |
| 24 | 272382 | Gasgriffrohr | 1 | |
| 25 | 229741 | Griff | 1 | |
| 26 | 226352 | Schraubbolzen | 1 | |

| | |
|---------------------|-----------------------------|
| Einheit | Lenker/Lenkung |
| Code | 03.06 |
| Beschreibung | Lenker - Hauptbremszylinder |
| Inspektion | 1 |



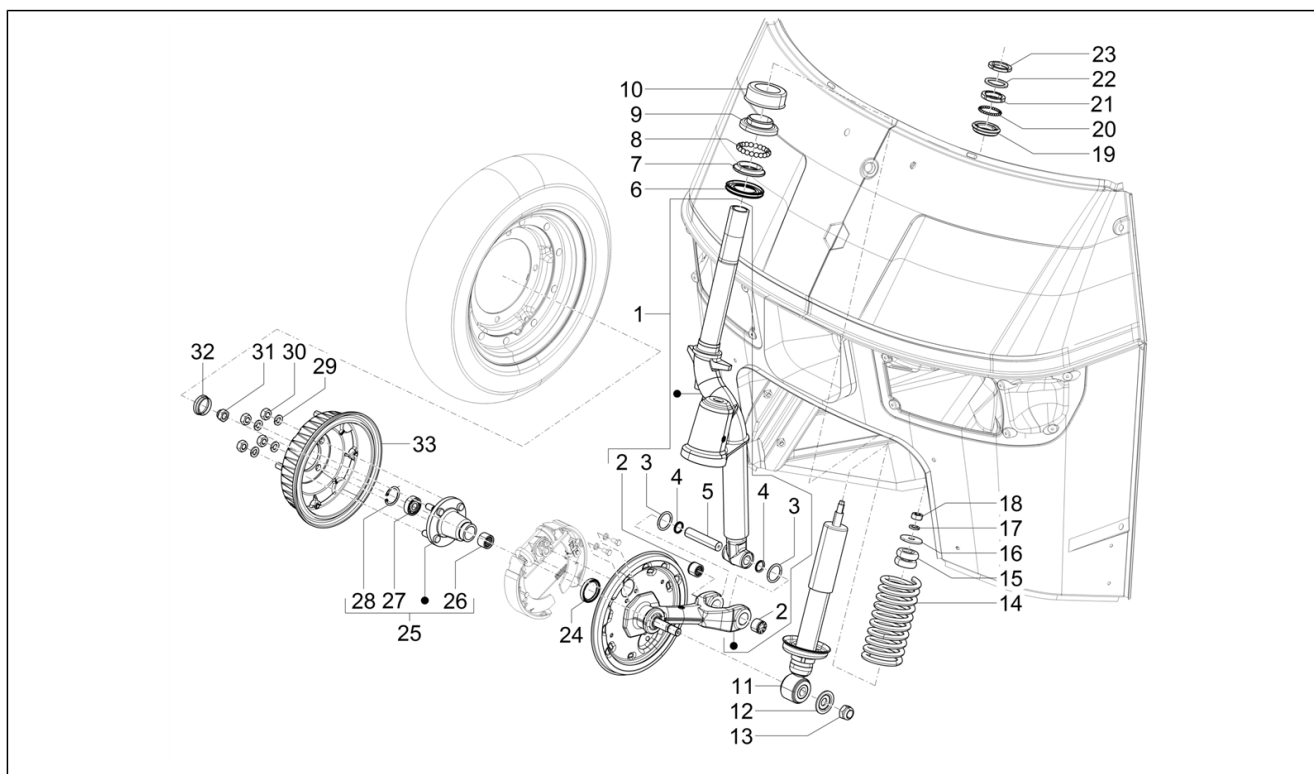
| Pos. | Code | Beschreibung | Menge | Varianten |
|------|----------|---|-------|-----------|
| 27 | 126612 | Unterlegscheibe | 1 | |
| 28 | 1E003282 | | 1 | |
| 29 | CM287314 | Sechskantschraube mit doppelter Unterlegscheibe M6x14 | 1 | |
| 30 | 116298 | Konus | 1 | |
| 31 | CM017414 | Federplättchen | 2 | |
| 32 | 261400 | Schutz | 1 | |
| 33 | 288611 | Schraube | 1 | |
| 34 | 150418 | Scheibe | 1 | |
| 35 | 286231 | Schraubklemme | 1 | |

| | |
|---------------------|-------------------------------------|
| Einheit | Radaufhängungen |
| Code | 04.07 |
| Beschreibung | Vordere Radaufhängung - Stoßdämpfer |
| Inspektion | 1 |



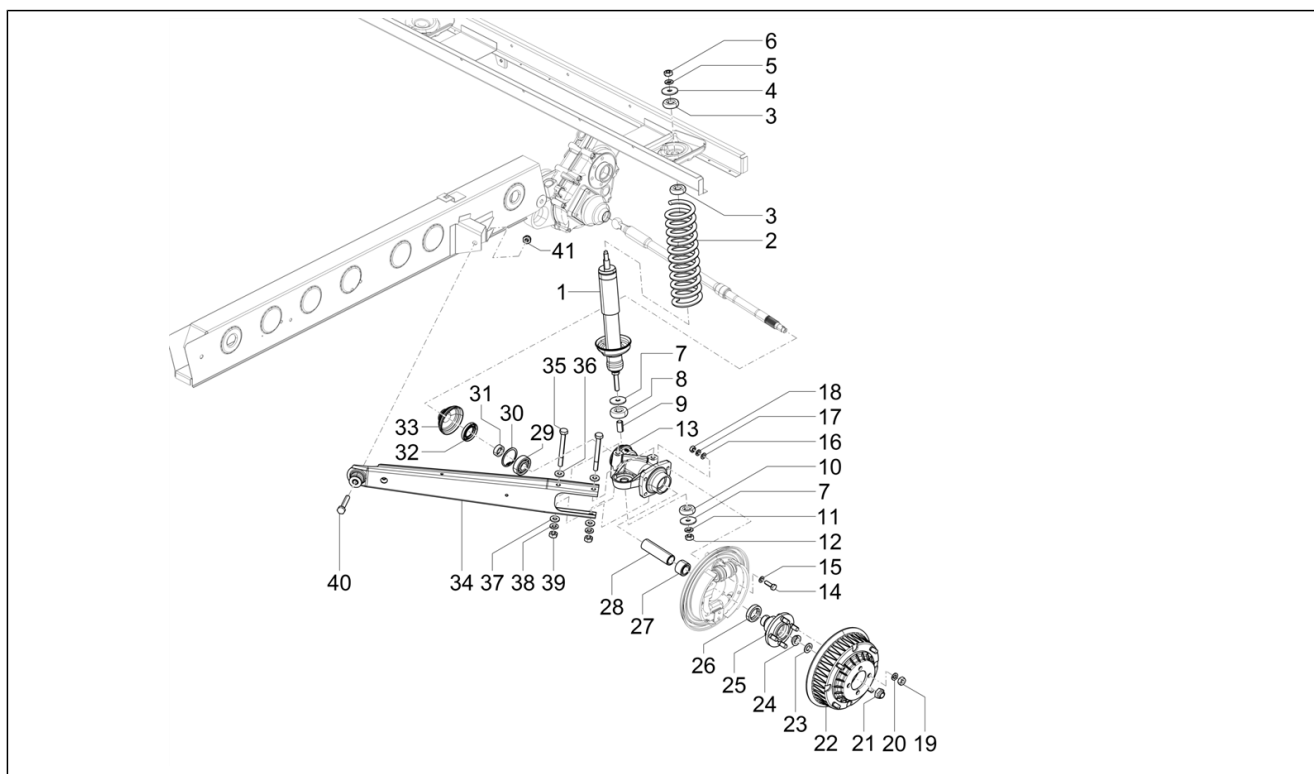
| Pos. | Code | Beschreibung | Menge | Varianten |
|------|-----------|------------------------------|-------|-----------|
| 1 | 1E0029305 | Lenkrohr kompl. mit Arm | 1 | |
| 2 | 137146 | Nadelhülse | 2 | |
| 3 | 006731 | Dichtung | 2 | |
| 4 | 119219 | Gasket ring | 2 | |
| 5 | 137144 | Lenkradbolzen | 1 | |
| 6 | 119216 | Unterlegscheibe | 1 | |
| 7 | 568933 | Lagerschale | 1 | |
| 8 | 006380 | Kugel | 20 | |
| 9 | 568934 | Äußeres Lenklager | 1 | |
| 10 | 119215 | Staubschutz | 1 | |
| 11 | 646463 | Vorderer Stoßdämpfer | 1 | |
| 12 | 177468 | Scheibe | 1 | |
| 13 | 006844 | Mutter M14x1,5 | 1 | |
| 14 | 119878 | Feder | 1 | |
| 15 | 174874 | Puffer | 2 | |
| 16 | 567427 | Unterlegscheibe | 1 | |
| 17 | 016410 | Unterlegscheibe 17,6x11x2,5 | 1 | |
| 18 | 021110 | Mutter | 1 | |
| 19 | 568931 | Lagerschale | 1 | |
| 20 | 014246 | Kugel | 28 | |
| 21 | 568932 | Nutmutter | 1 | |
| 22 | 0037514 | Unterlegscheibe des Lenkrads | 1 | |
| 23 | 0111094 | Gewinding Lenkrohr | 1 | |
| 24 | 021460 | Ring | 1 | |
| 25 | 1E0029355 | | 1 | |
| 26 | 121095 | Nadelhülse | 1 | |
| 27 | 002800 | Lager 12x32x10 | 1 | |
| 28 | 006632 | Sprengring | 1 | |

| | |
|---------------------|-------------------------------------|
| Einheit | Radaufhängungen |
| Code | 04.07 |
| Beschreibung | Vordere Radaufhängung - Stoßdämpfer |
| Inspektion | 1 |



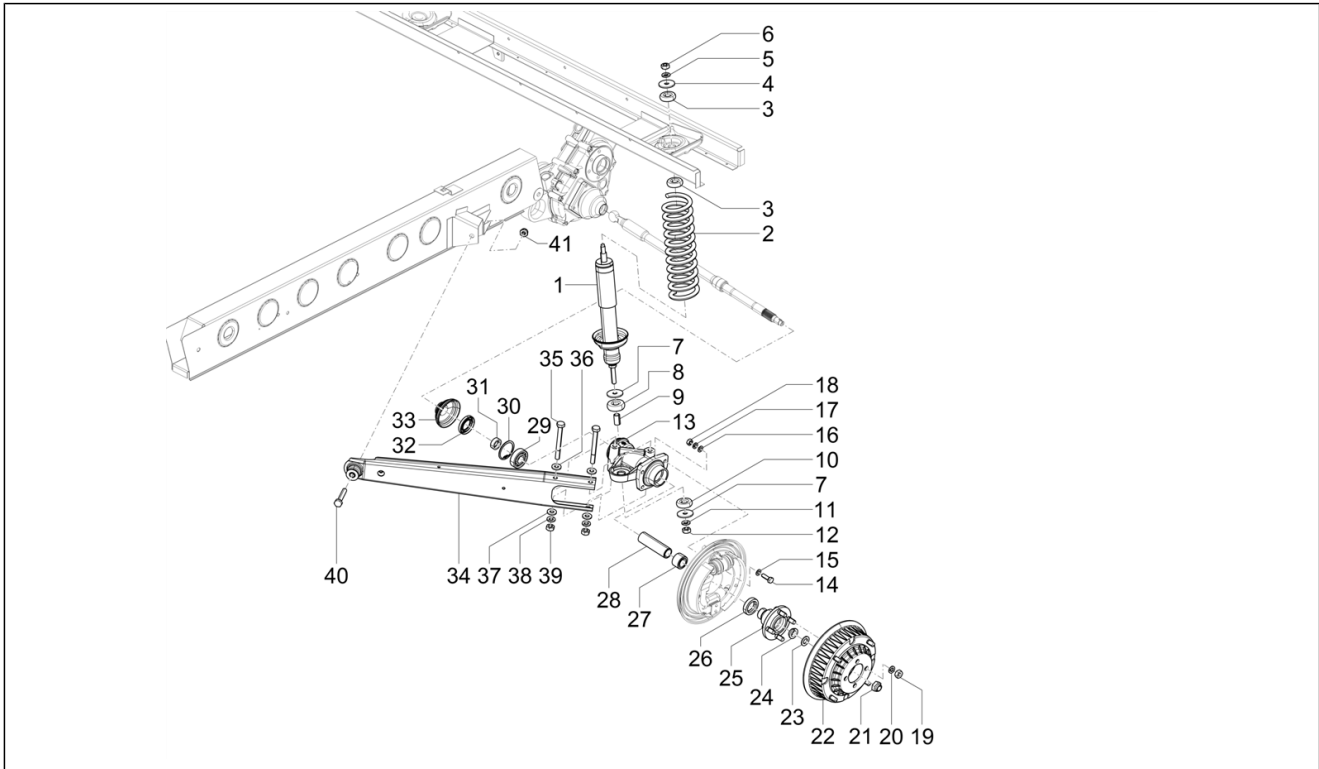
| Pos. | Code | Beschreibung | Menge | Varianten |
|------|---------|-----------------------------|-------|-----------|
| 29 | 016410 | Unterlegscheibe 17,6x11x2,5 | 4 | |
| 30 | 020110 | Mutter M10 6H | 4 | |
| 31 | 126409 | Mutter | 1 | |
| 32 | 126410 | Kappe | 1 | |
| 33 | B042438 | Hintere Bremstrommel | 1 | |

| | |
|---------------------|-------------------------------------|
| Einheit | Radaufhängungen |
| Code | 04.10 |
| Beschreibung | Hintere Radaufhängung - Stoßdämpfer |
| Inspektion | 1 |



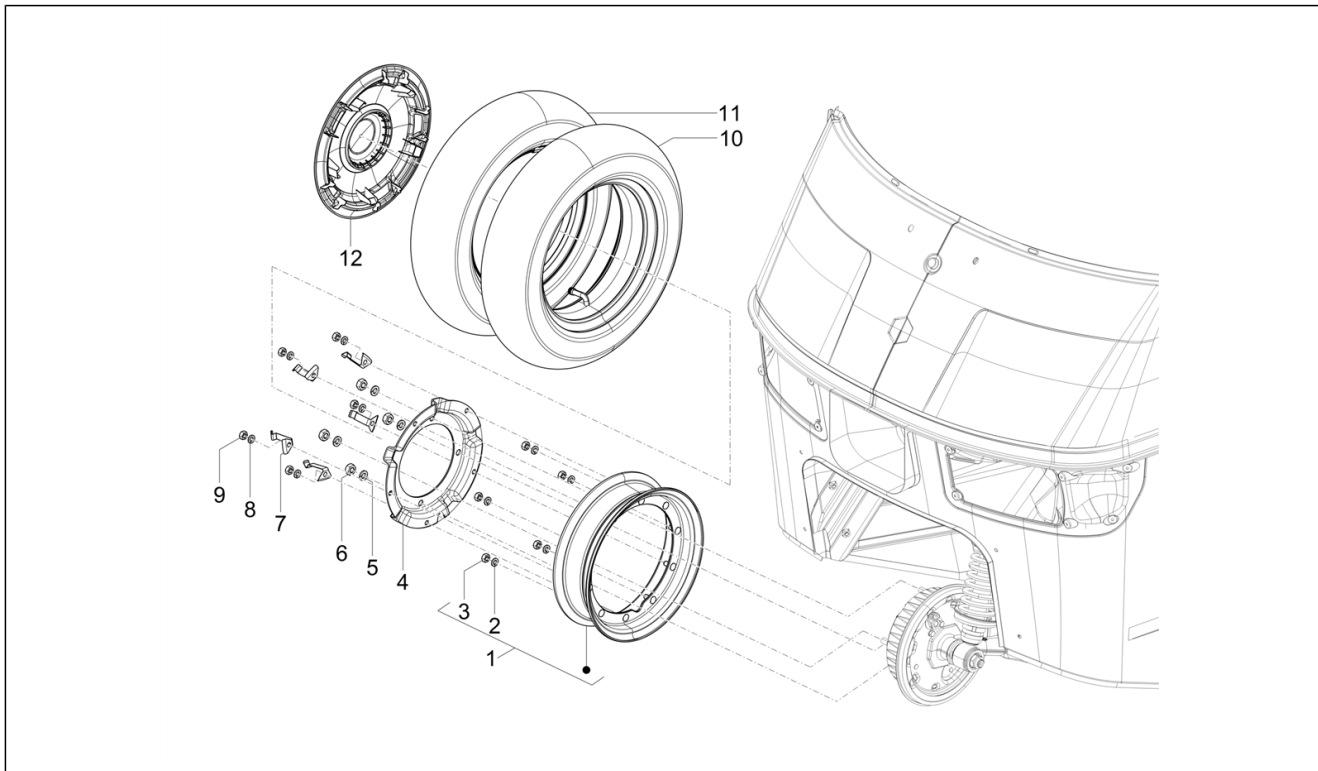
| Pos. | Code | Beschreibung | Menge | Varianten |
|------|-----------|------------------------------|-------|-----------|
| 1 | 56597R | Hinterer Stoßdämpfer | 2 | |
| 2 | 116733 | Stoßdämpferfeder | 2 | |
| 3 | 174874 | Puffer | 4 | |
| 4 | 567427 | Unterlegscheibe | 2 | |
| 5 | 260467 | Sprengscheibe | 2 | |
| 6 | 021110 | Mutter | 2 | |
| 7 | 567427 | Unterlegscheibe | 4 | |
| 8 | 116140 | Puffer | 2 | |
| 9 | 074419 | Distanzscheibe | 2 | |
| 10 | 174874 | Puffer | 2 | |
| 11 | 260467 | Sprengscheibe | 2 | |
| 12 | 021110 | Mutter | 2 | |
| 13 | 1E0029515 | | 1 | |
| 13 | 1E0029535 | | 1 | |
| 14 | 031120 | Schraube | 8 | |
| 15 | 003058 | Flachscheibe 15x8,4x1,5 | 8 | |
| 16 | 003058 | Flachscheibe 15x8,4x1,5 | 8 | |
| 17 | 016408 | Sprengscheibe 13,75x8,15x4,5 | 8 | |
| 18 | 020108 | Mutter M8x6,5 | 2 | |
| 19 | 020110 | Mutter M10 6H | 8 | |
| 20 | 016410 | Unterlegscheibe 17,6x11x2,5 | 8 | |
| 21 | 074521 | Mutter | 2 | |
| 22 | B042438 | Hinterer Bremstrommel | 2 | |
| 23 | 003014 | Unterlegscheibe | 2 | |
| 24 | 116097 | Konus | 2 | |
| 25 | 1E002944 | Hinterradnabe komplett | 2 | |
| 26 | 118058 | Dichtring | 2 | |
| 27 | 128080 | Nadelhülse | 2 | |

| | |
|---------------------|-------------------------------------|
| Einheit | Radaufhängungen |
| Code | 04.10 |
| Beschreibung | Hintere Radaufhängung - Stoßdämpfer |
| Inspektion | 1 |



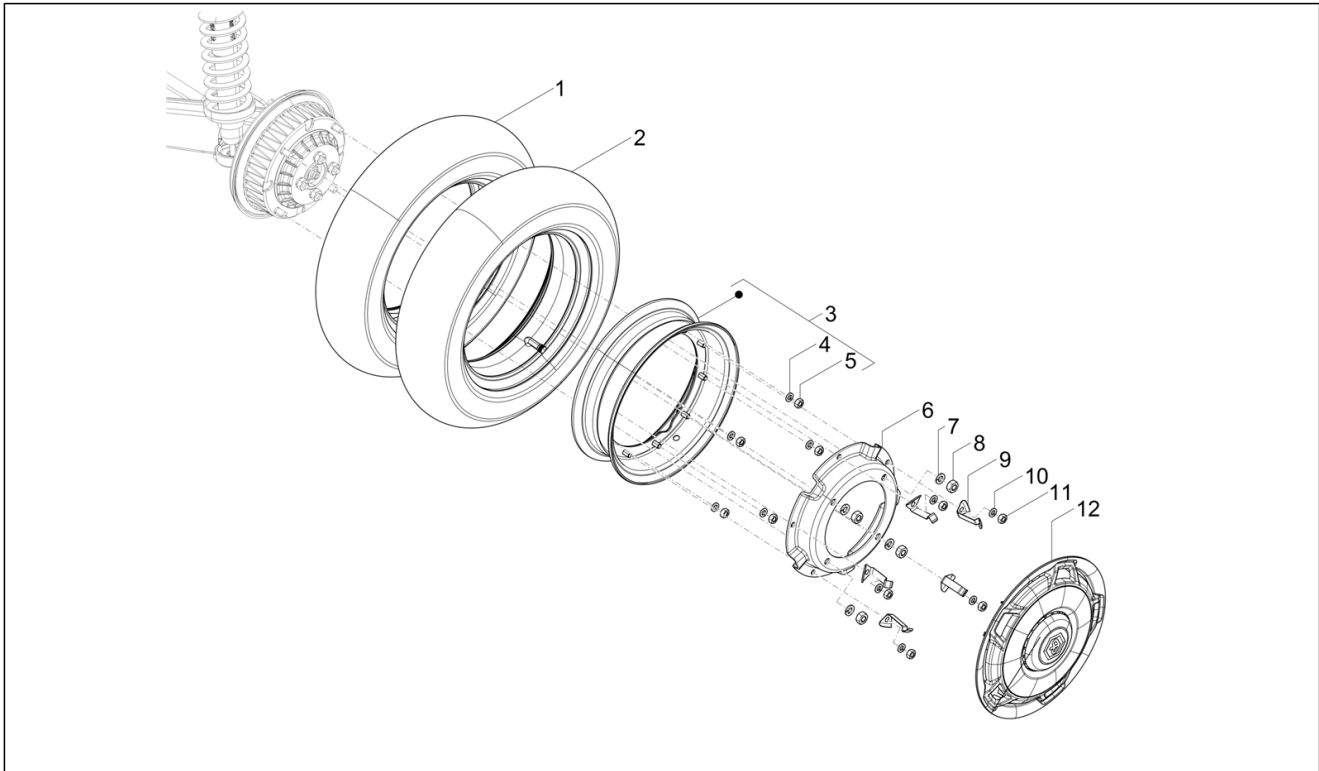
| Pos. | Code | Beschreibung | Menge | Varianten |
|------|--------|----------------------------|-------|-----------|
| 28 | 128079 | Distanzscheibe | 1 | |
| 29 | 007563 | Lager | 2 | |
| 30 | 006647 | Seegerring | 2 | |
| 31 | 136808 | Distanzscheibe | 2 | |
| 32 | 119940 | Ring | 2 | |
| 33 | 119941 | Becher | 2 | |
| 34 | 117625 | Arm | 2 | |
| 35 | 015582 | Schraube | 4 | |
| 36 | 078783 | Unterlegscheibe | 4 | |
| 37 | 078783 | Unterlegscheibe | 4 | |
| 38 | 260467 | Sprengscheibe | 4 | |
| 39 | 020110 | Mutter M10 6H | 4 | |
| 40 | 030101 | Schraube | 2 | |
| 41 | 002440 | Mutter, selbstsichernd M10 | 2 | |

| | |
|---------------------|-----------------|
| Einheit | Radaufhängungen |
| Code | 04.11 |
| Beschreibung | Vorderrad |
| Inspektion | 1 |



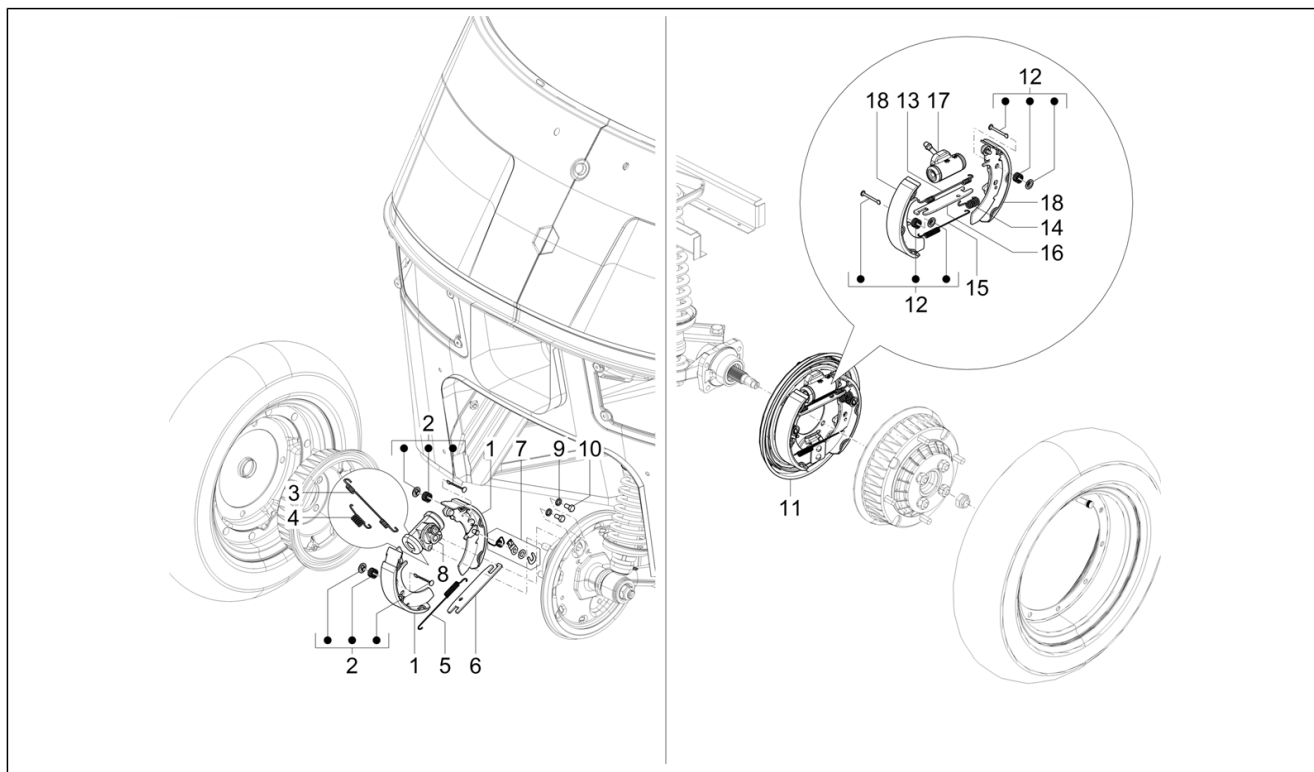
| Pos. | Code | Beschreibung | Menge | Varianten |
|------|----------|------------------------------|-------|-----------|
| 1 | 1R000423 | | 1 | |
| 2 | 016408 | Sprengscheibe 13,75x8,15x4,5 | 5 | |
| 3 | 810688 | Mutter | 5 | |
| 4 | 1E002936 | | 1 | |
| 5 | 016410 | Unterlegscheibe 17,6x11x2,5 | 4 | |
| 6 | 020110 | Mutter M10 6H | 4 | |
| 7 | 1E003149 | Rückhaltefeder Radkappe | 5 | |
| 8 | 016408 | Sprengscheibe 13,75x8,15x4,5 | 5 | |
| 9 | 810688 | Mutter | 5 | |
| 10 | 228663 | Schlauch | 1 | |
| 11 | 56500R | | 1 | |
| 12 | 1E003041 | Radabdeckung | 1 | |

| | |
|---------------------|-----------------|
| Einheit | Radaufhängungen |
| Code | 04.12 |
| Beschreibung | Hinterrad |
| Inspektion | 1 |



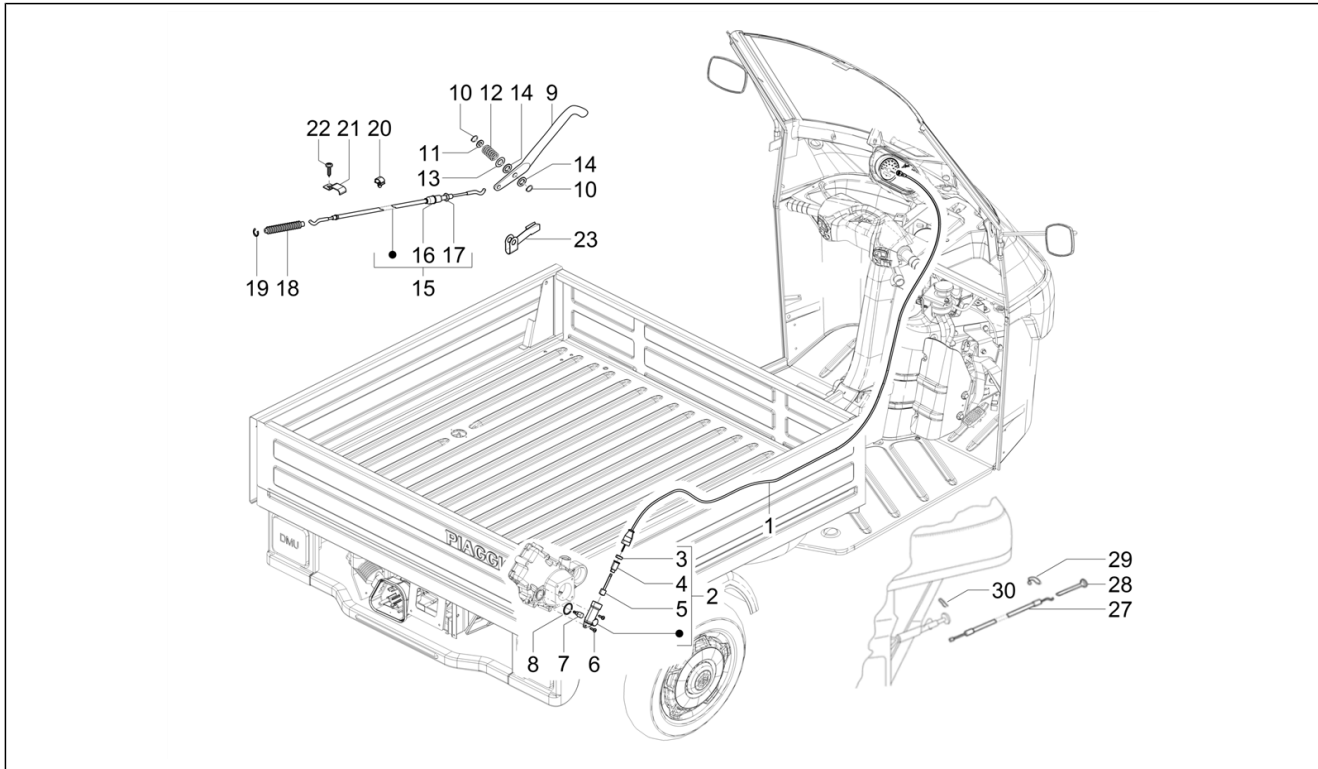
| Pos. | Code | Beschreibung | Menge | Varianten |
|------|----------|------------------------------|-------|-----------|
| 1 | 56500R | | 2 | |
| 2 | 228663 | Schlauch | 2 | |
| 3 | 1R000423 | | 2 | |
| 4 | 016408 | Sprengscheibe 13,75x8,15x4,5 | 10 | |
| 5 | 810688 | Mutter | 10 | |
| 6 | 1E002946 | | 2 | |
| 7 | 016410 | Unterlegscheibe 17,6x11x2,5 | 8 | |
| 8 | 020110 | Mutter M10 6H | 8 | |
| 9 | 1E003149 | Rückhaltefeder Radkappe | 10 | |
| 10 | 016408 | Sprengscheibe 13,75x8,15x4,5 | 10 | |
| 11 | 810688 | Mutter | 10 | |
| 12 | 1E003041 | Radabdeckung | 2 | |

| | |
|---------------------|--------------------------|
| Einheit | Bremsanlage - Bowdenzüge |
| Code | 05.02 |
| Beschreibung | Bremsbackensätzen |
| Inspektion | 1 |



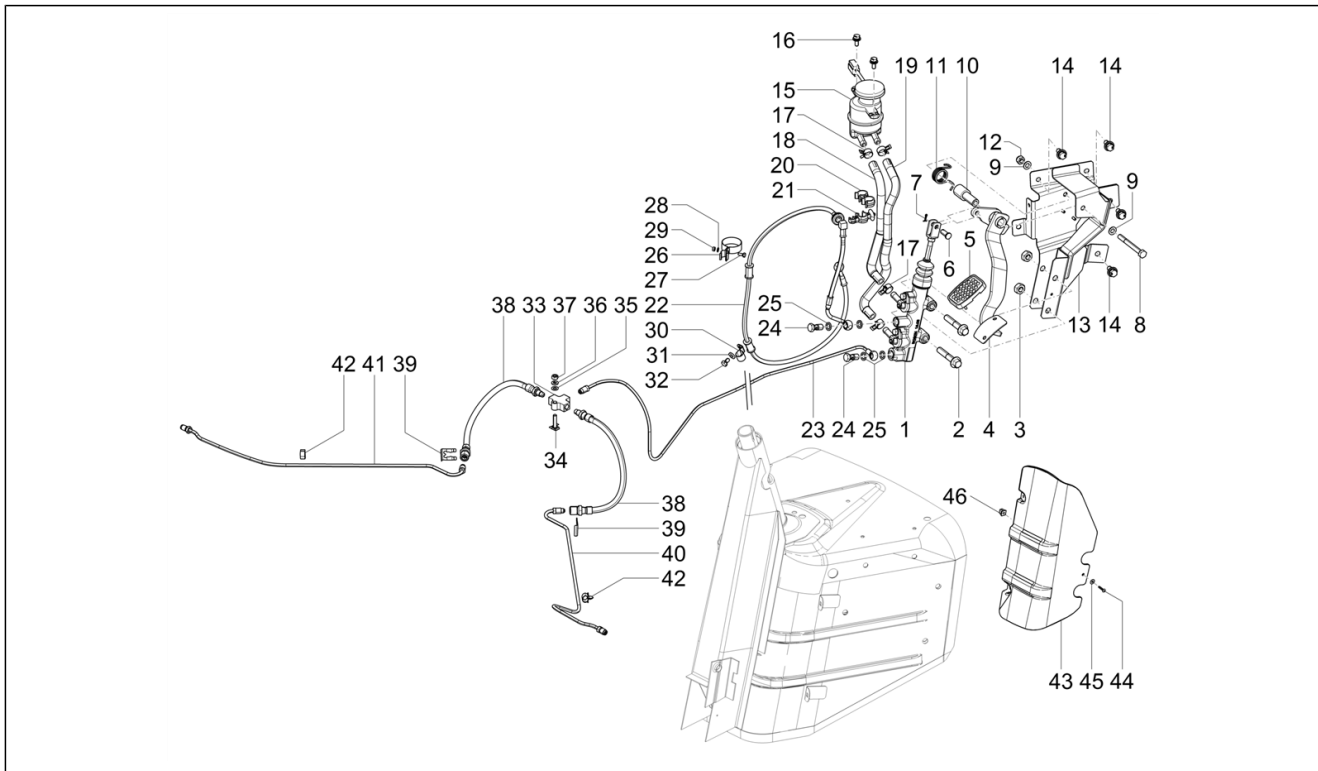
| Pos. | Code | Beschreibung | Menge | Varianten |
|------|----------|-----------------------------------|-------|-----------|
| 1 | B003326 | Satz Bremsbacken Vorderradbremse | 1 | |
| 2 | B003327 | Rückhaltekit Bremsbacken | 2 | |
| 3 | B003004 | Obere Rückholfeder Bremsbacken | 1 | |
| 4 | B003002 | Obere Rückholfeder Bremsbacken SX | 1 | |
| 5 | B003003 | Obere Rückholfeder Bremsbacken | 1 | |
| 6 | B003008 | Stütze, Strebe | 1 | |
| 7 | B006509 | Satz Clip und Zapfen links | 1 | |
| 8 | B003017 | Bremszylinder ant. | 1 | |
| 9 | 012536 | Zahnscheibe 11x6,3 | 2 | |
| 10 | 063440 | Spezialschraube M6x12 | 2 | |
| 11 | 1E003120 | | 1 | |
| 11 | 1E003121 | | 1 | |
| 12 | B003327 | Rückhaltekit Bremsbacken | 2 | |
| 13 | B003004 | Obere Rückholfeder Bremsbacken | 2 | |
| 14 | 1E003118 | | 1 | |
| 14 | B003002 | Obere Rückholfeder Bremsbacken SX | 1 | |
| 15 | B003003 | Obere Rückholfeder Bremsbacken | 2 | |
| 16 | B003012 | Stütze, Strebe | 2 | |
| 17 | 1E003112 | Bremszylinder | 2 | |
| 18 | B003013 | (anteriore) | 1 | |
| 18 | 1E003114 | (posteriore) | 1 | |
| 18 | B003010 | (anteriore) | 1 | |
| 18 | 1E003113 | (posteriore) | 1 | |

| | |
|---------------------|--------------------------|
| Einheit | Bremsanlage - Bowdenzüge |
| Code | 05.03 |
| Beschreibung | Bowdenzüge |
| Inspektion | 1 |



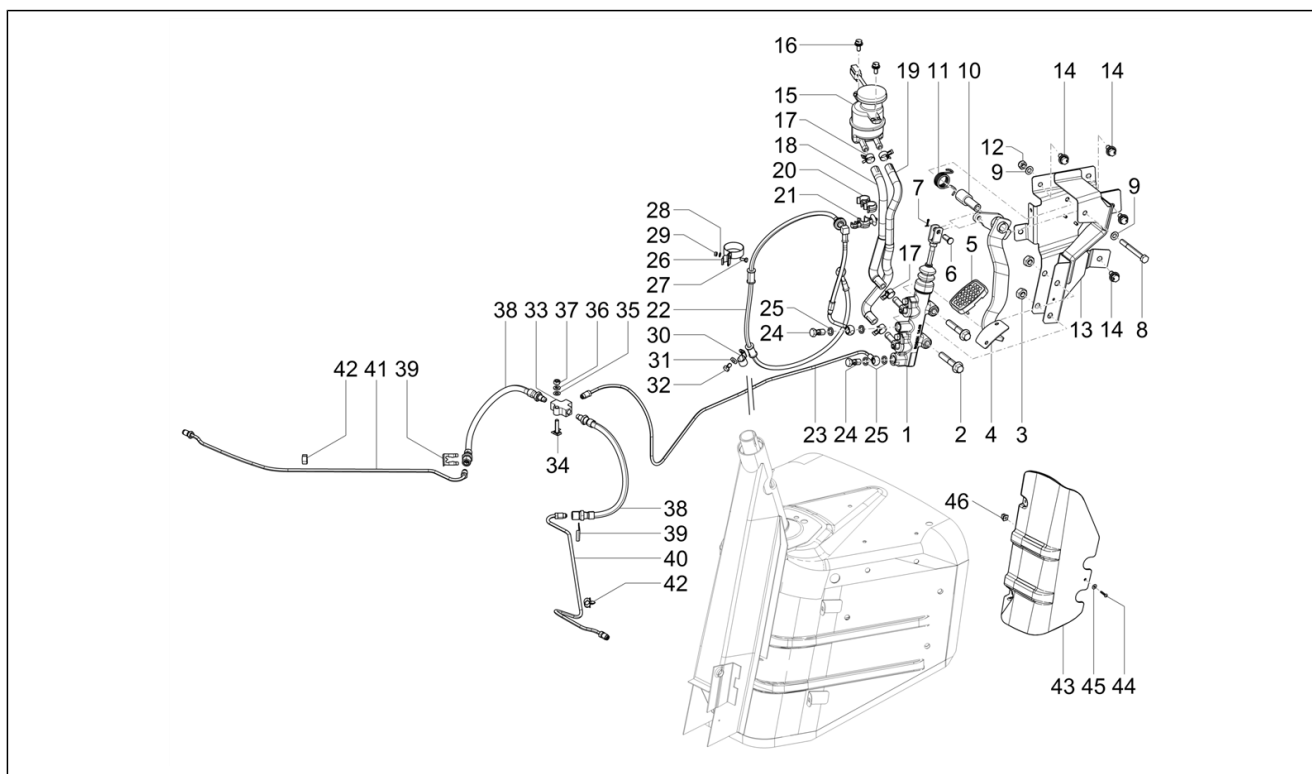
| Pos. | Code | Beschreibung | Menge | Varianten |
|------|----------|--------------------------------|-------|-----------|
| 1 | 1E003141 | Bowdenzug Tachometer | 1 | |
| 2 | 1252535 | Halterung komplett | 1 | |
| 3 | 117402 | Ring | 1 | |
| 4 | 117401 | Buchse | 1 | |
| 5 | 125254 | Ritzel | 1 | |
| 6 | 125647 | Schraube | 2 | |
| 7 | 125256 | Zahnrad | 1 | |
| 8 | 017503 | Dichtring | 1 | |
| 9 | 258827 | Betätigungshebel Rückwärtsgang | 1 | |
| 10 | 005970 | Sprengring | 2 | |
| 11 | 013843 | Flachscheibe 16x8,1x1,5 | 1 | |
| 12 | 258639 | Feder | 1 | |
| 13 | 258641 | Flachscheibe 22x12,5x0,5 | 1 | |
| 14 | 709037 | Flachscheibe 20x12,5x2 | 1 | |
| 15 | 258646 | Übertragung Rückwärtsgang | 1 | |
| 16 | 116260 | Kappe | 1 | |
| 17 | 020206 | Mutter M6 | 1 | |
| 18 | 118806 | Balg | 1 | |
| 19 | 180859 | Platte | 1 | |
| 20 | 140435 | Kleine Feder | 1 | |
| 21 | 018732 | Klammer | 1 | |
| 22 | 008451 | Blechschaube 3,5x13 | 1 | |
| 23 | 1172734 | Fixierung | 1 | |
| 27 | 612790 | Übertragung Starterschaltung | 1 | |
| 28 | 567083 | Griff | 1 | |
| 29 | 183321 | Feder | 1 | |
| 30 | 075962 | Feder | 1 | |

| | |
|---------------------|--------------------------|
| Einheit | Bremsanlage - Bowdenzüge |
| Code | 05.04 |
| Beschreibung | Bremsanlage |
| Inspektion | 1 |



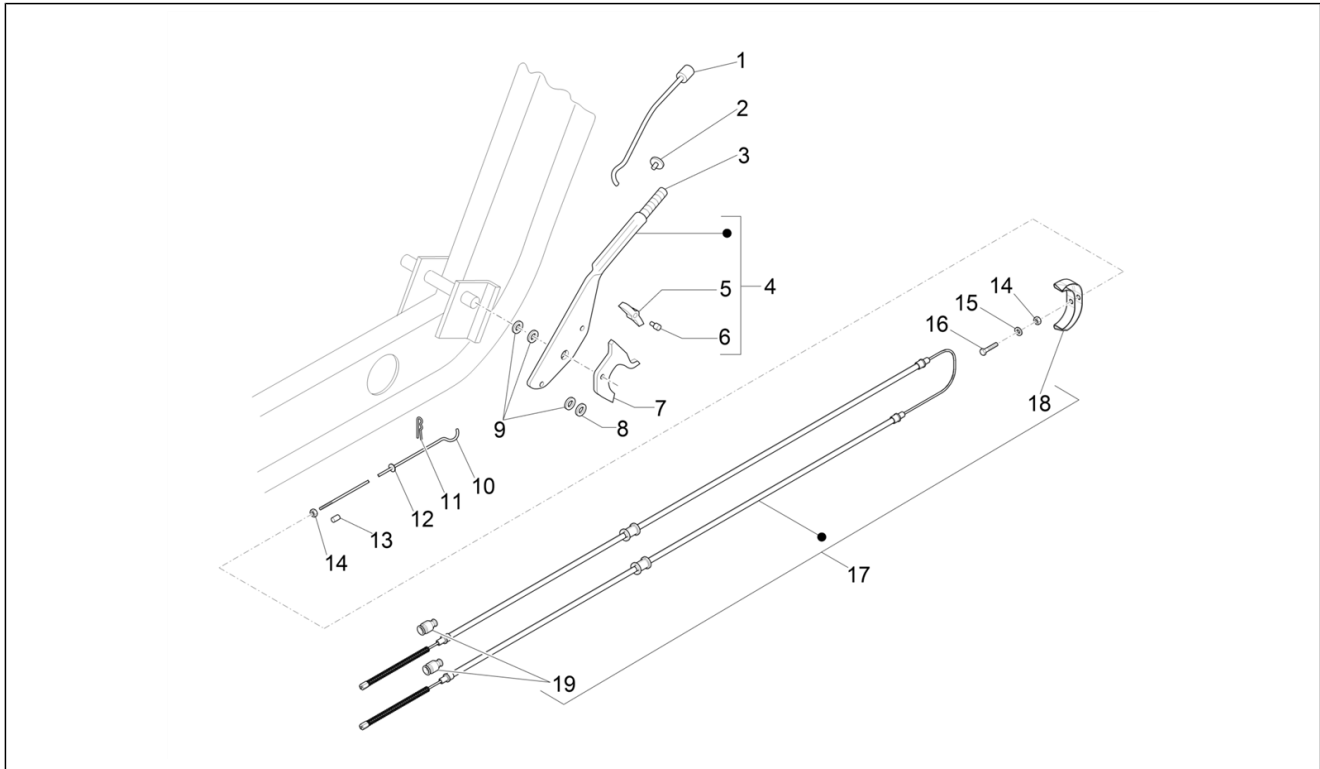
| Pos. | Code | Beschreibung | Menge | Varianten |
|------|-----------|----------------------------|-------|-----------|
| 1 | B075485 | Bremspumpe | 1 | |
| 2 | B074999 | TE Schr. m. Flansch M10x55 | 2 | |
| 3 | 632056 | Sechskantmutter M6 | 2 | |
| 4 | 1E002996 | Bremspedal | 1 | |
| 5 | 567461 | Anschlagpuffer | 1 | |
| 6 | 652001 | Bolzen | 1 | |
| 7 | 567920 | Splint | 1 | |
| 8 | 030081 | Schraube | 1 | |
| 9 | 003058 | Flachscheibe 15x8,4x1,5 | 2 | |
| 10 | 1E002969 | | 1 | |
| 11 | B073800 | Bremspedalfeder | 1 | |
| 12 | 003058 | Flachscheibe 15x8,4x1,5 | 1 | |
| 13 | 1E002967 | | 1 | |
| 14 | CM289420 | [...] | 4 | |
| 15 | 1E001948 | Öltank Bremsen | 1 | |
| 16 | CM287316 | Sechskantschraube M6x16 | 1 | |
| 17 | B001543 | Schlauchschelle | 4 | |
| 18 | 1E002981 | | 1 | |
| 19 | 1E002982 | | 1 | |
| 20 | 1E003128 | 14,5 | 1 | |
| 21 | 1E003129 | 6,2-14,5 | 1 | |
| 22 | 1E002985 | Bremsölleitung vorn | 1 | |
| 23 | 1E002990 | | 1 | |
| 24 | AP8113003 | Fixierschraube Ölschlauch | 2 | |
| 25 | 1E002997 | Kupferdichtung | 4 | |
| 26 | 126328 | Schelle | 1 | |
| 27 | 031025 | Schraubbolzen | 1 | |
| 28 | 003054 | U.scheibe 4,3x8x0,5 | 1 | |

| | |
|---------------------|--------------------------|
| Einheit | Bremsanlage - Bowdenzüge |
| Code | 05.04 |
| Beschreibung | Bremsanlage |
| Inspektion | 1 |



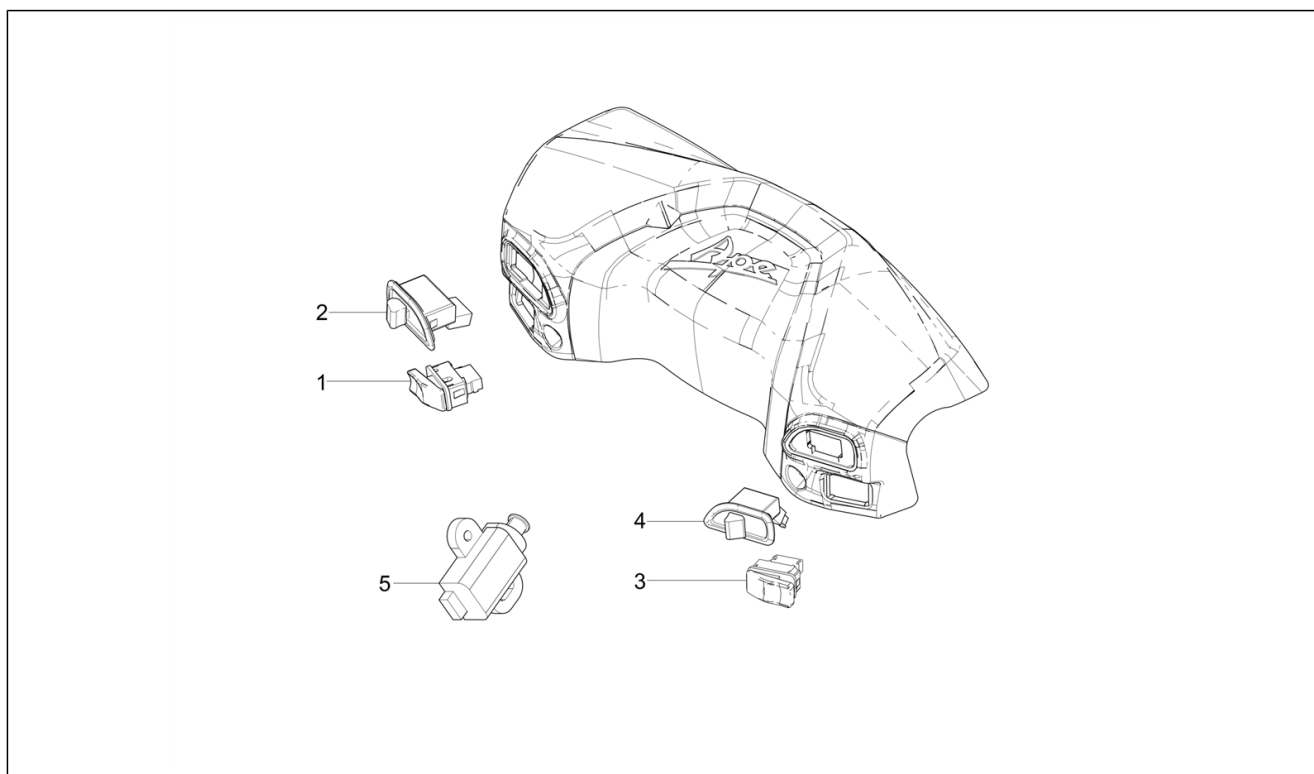
| Pos. | Code | Beschreibung | Menge | Varianten |
|------|----------|-------------------------|-------|-----------|
| 29 | 020104 | Mutter M4 | 1 | |
| 30 | 482290 | Schelle | 1 | |
| 31 | 006175 | Flachscheibe | 1 | |
| 32 | 031084 | Sechskantschraube M6x10 | 1 | |
| 33 | 136371 | 3-Wegeanschluß | 1 | |
| 34 | 233006 | | 1 | |
| 35 | 003056 | Flachscheibe 6,4x12x1 | 1 | |
| 36 | 016406 | Federring 6,4x11,8x1 | 1 | |
| 37 | 020106 | Mutter M6 | 1 | |
| 38 | 1E002993 | | 2 | |
| 39 | B005354 | Kleine Feder | 2 | |
| 40 | 1E002992 | | 1 | |
| 41 | 1E002991 | | 1 | |
| 42 | 191002 | Kleine Feder | 2 | |
| 43 | 1E003058 | | 1 | |
| 44 | 015859 | Schraube 3,5x16 | 3 | |
| 45 | 256382 | Unterlegscheibe | 3 | |
| 46 | 157716 | Spreizdübel | 3 | |

| | |
|---------------------|--------------------------|
| Einheit | Bremsanlage - Bowdenzüge |
| Code | 05.07 |
| Beschreibung | Feststellbremse |
| Inspektion | 1 |



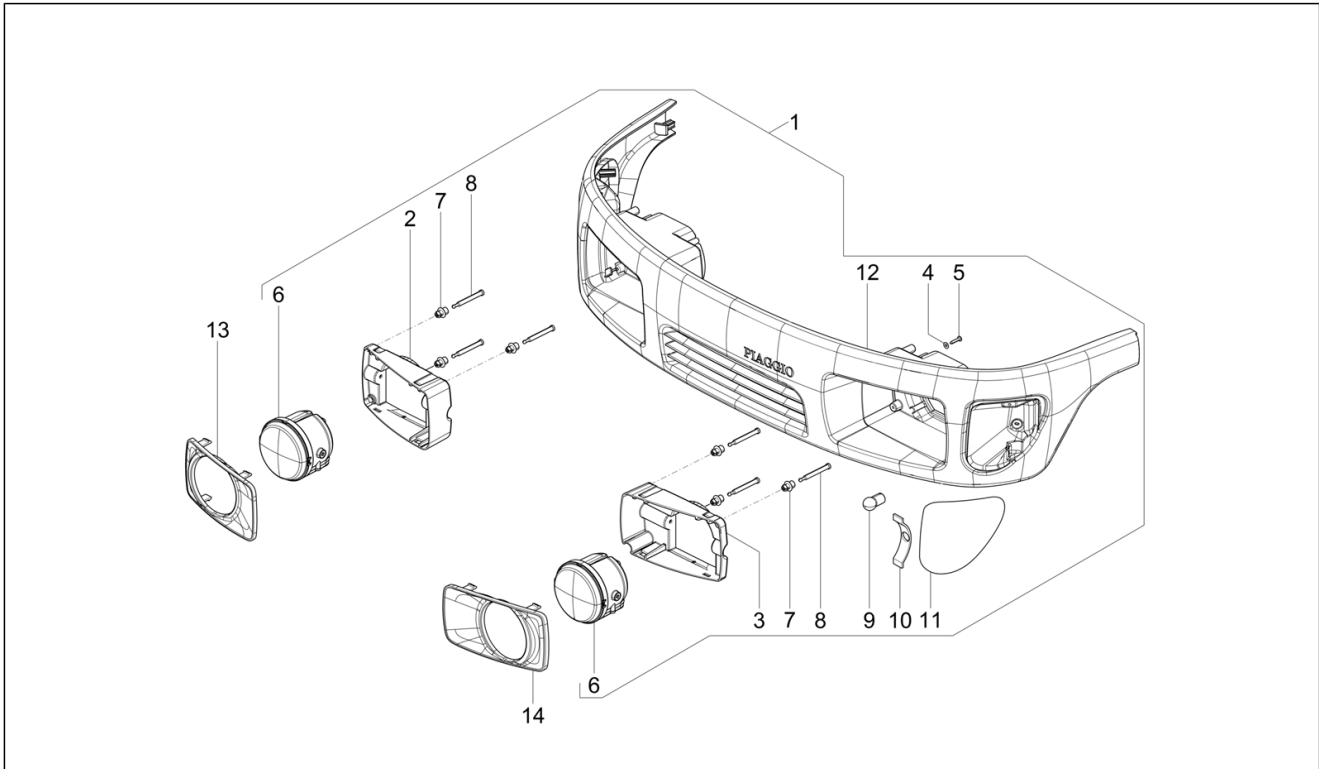
| Pos. | Code | Beschreibung | Menge | Varianten |
|------|----------|---------------------|-------|-----------|
| 1 | 258656 | Stange | 1 | |
| 2 | 116232 | Becher | 1 | |
| 3 | 109310 | Feder | 1 | |
| 4 | 258657 | Kupplungshebel | 1 | |
| 5 | 109306 | Führungsbolzen | 1 | |
| 6 | 109309 | Bolzen | 1 | |
| 7 | 1176124 | Schaltanzeige | 1 | |
| 8 | 005970 | Sprengring | 1 | |
| 9 | 101422 | Unterlegscheibe | 3 | |
| 10 | 117613 | Spannstange | 1 | |
| 11 | 012768 | Splint | 1 | |
| 12 | 117614 | Kabelführung | 1 | |
| 13 | 117615 | Distanzscheibe | 1 | |
| 14 | 020106 | Mutter M6 | 2 | |
| 15 | 118745 | Unterlegscheibe | 1 | |
| 16 | 008451 | Blehschraube 3,5x13 | 1 | |
| 17 | 1E003115 | Handbremszug | 1 | |
| 18 | 117616 | Vorderradgabel | 1 | |
| 19 | 116260 | Kappe | 2 | |

| | |
|---------------------|---|
| Einheit | Elektrische Anlage |
| Code | 06.01 |
| Beschreibung | Wechselschalter - Umschalter - Druckschalter - Schalter |
| Inspektion | 1 |



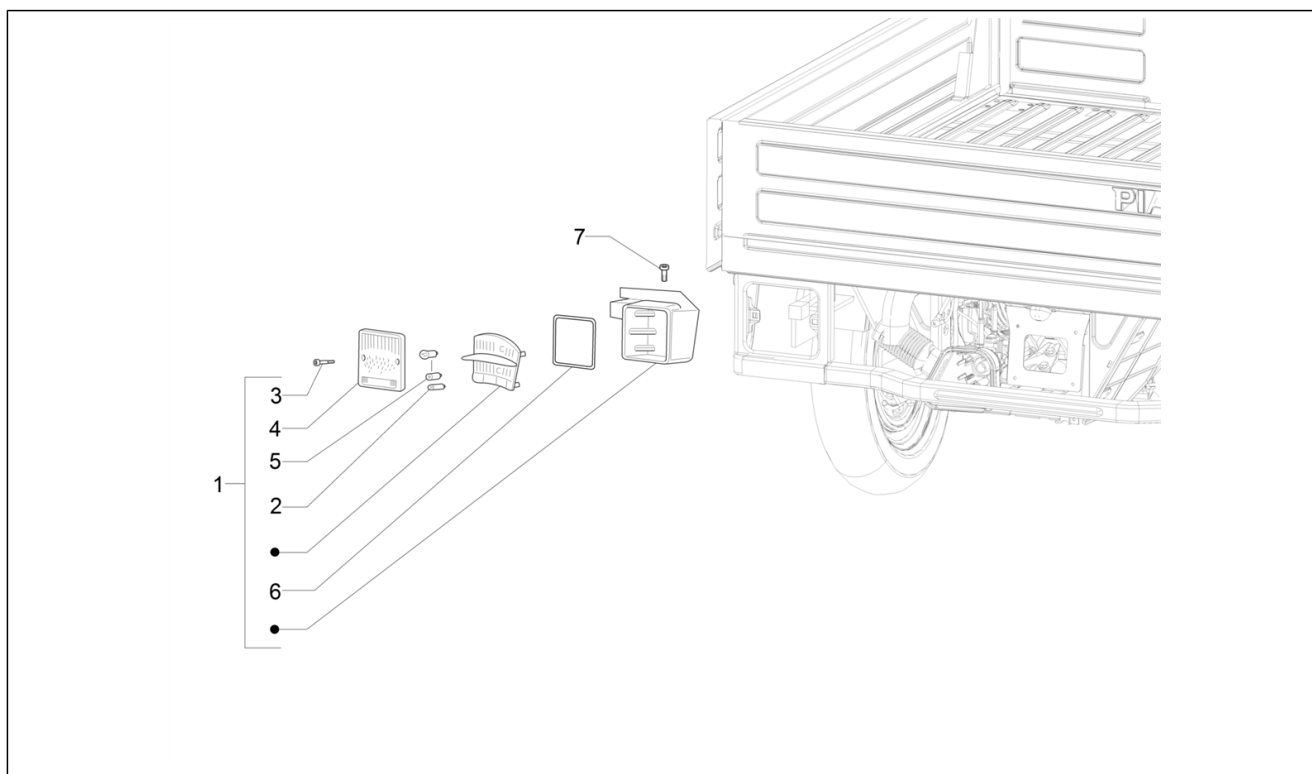
| Pos. | Code | Beschreibung | Menge | Varianten |
|------|-----------|-------------------------|-------|-----------|
| 1 | 1D001587R | Hupenschalter | 1 | |
| 2 | 6426795 | Blinklichtschalter | 1 | |
| 3 | 1D001588R | Startknopf | 1 | |
| 4 | 1D002520 | Scheibenwischerschalter | 1 | |
| 5 | 567498R | Knopf | 1 | |

| | |
|---------------------|--------------------------------|
| Einheit | Elektrische Anlage |
| Code | 06.03 |
| Beschreibung | Vorderleuchten - Blinkleuchten |
| Inspektion | 1 |



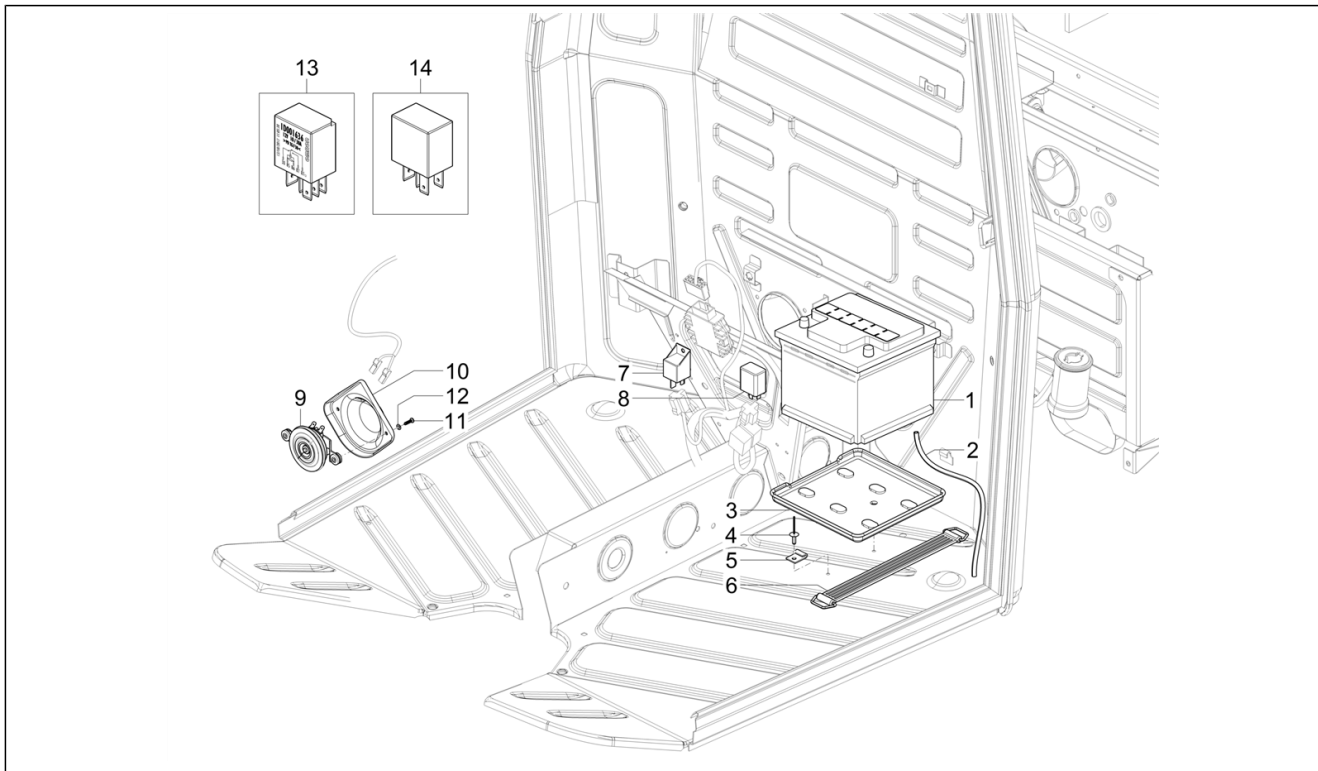
| Pos. | Code | Beschreibung | Menge | Varianten |
|------|----------|-----------------------|-------|-----------|
| 1 | 1E003234 | | 1 | |
| 2 | 1E003315 | | 1 | |
| 3 | 1E003316 | | 1 | |
| 4 | 013836 | Unterlegscheibe | 8 | |
| 5 | 015728 | Schraube | 8 | |
| 6 | 1D002696 | Scheinwerfer komplett | 2 | |
| 7 | 1R000468 | Einstellblock | 6 | |
| 8 | 1R000469 | Scheinwerferregulier | 6 | |
| 9 | 181746 | Lampen 12V-10W | 2 | |
| 10 | 264087 | Li.Lampenhalter | 1 | |
| 10 | 264088 | Re.Lampenhalter | 1 | |
| 11 | 294145 | Glas links | 1 | |
| 11 | 294146 | Glas rechts | 1 | |
| 12 | 567066 | Rahmen vorne | 1 | |
| 13 | 1E003317 | | 1 | |
| 14 | 1E003318 | | 1 | |

| | |
|---------------------|--------------------------------|
| Einheit | Elektrische Anlage |
| Code | 06.04 |
| Beschreibung | Hinterleuchten - Blinkleuchten |
| Inspektion | 1 |



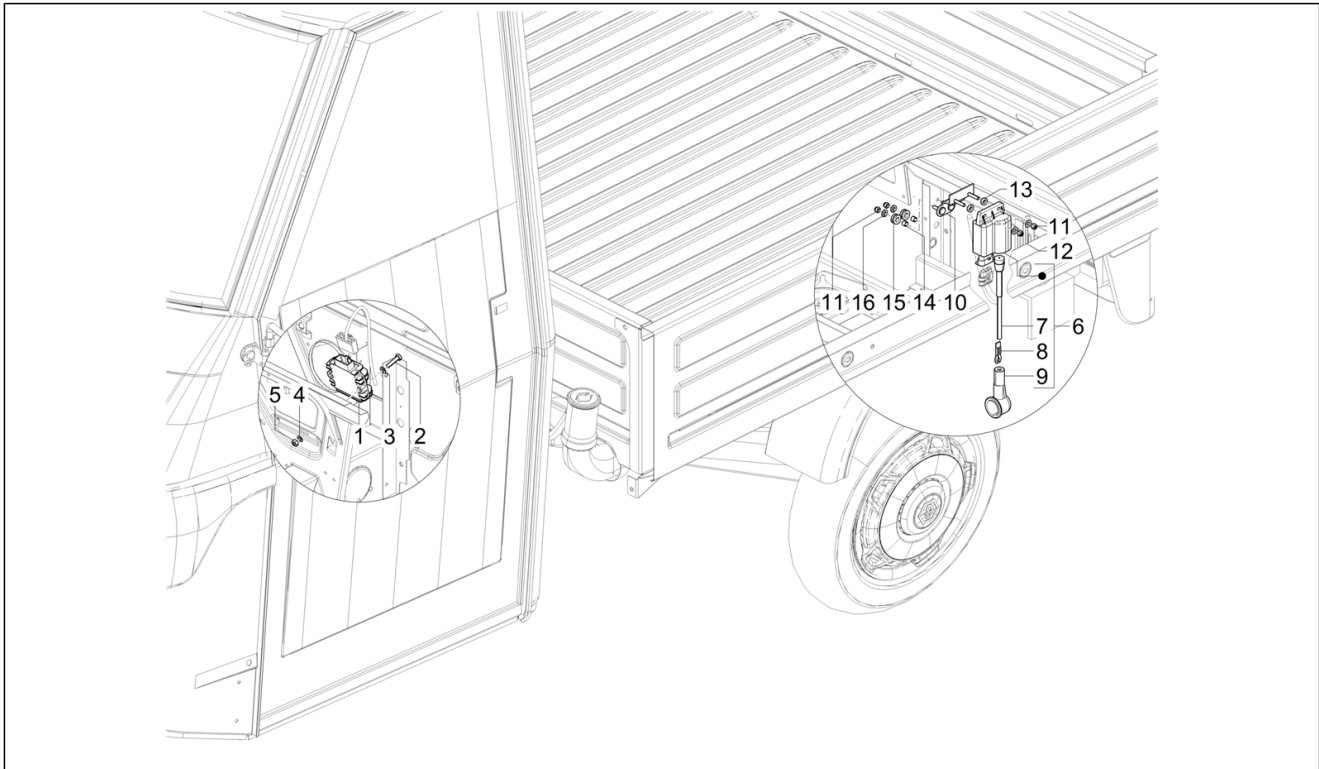
| Pos. | Code | Beschreibung | Menge | Varianten |
|------|--------|---------------------------------|-------|-----------|
| 1 | 567192 | Rücklicht | 2 | |
| 2 | 163015 | Lampen 12V-4W | 1 | |
| 3 | 290944 | Blechschaube mit Kunststoffkopf | 2 | |
| 4 | 256194 | Scheibe | 1 | |
| 5 | 181746 | Lampen 12V-10W | 2 | |
| 6 | 250626 | Dichtung | 1 | |
| 7 | 567106 | Stift | 4 | |

| | |
|---------------------|----------------------------------|
| Einheit | Elektrische Anlage |
| Code | 06.05 |
| Beschreibung | Fernschalteren - Batterie - Hupe |
| Inspektion | 1 |



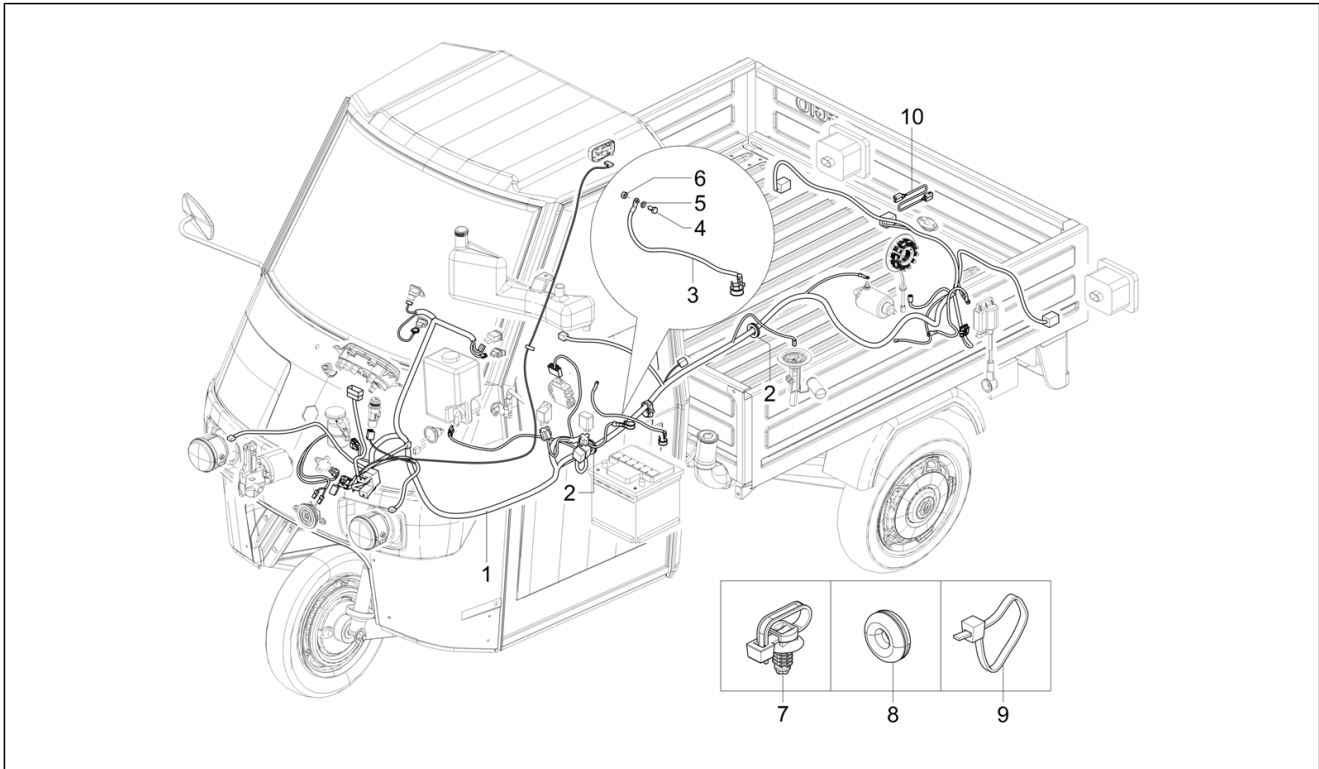
| Pos. | Code | Beschreibung | Menge | Varianten |
|------|----------|---|-------|-----------|
| 1 | 581149 | Batterie 12V-32Ah | 1 | |
| 2 | 645581 | Entlüftungsschlauch Kühler | 1 | |
| 3 | 567426 | Batteriewanne | 1 | |
| 4 | 297791 | Kunststoffniet | 1 | |
| 5 | 567424 | Platte | 1 | |
| 6 | 214801 | Riemen | 1 | |
| 7 | 58115R | Anlasser-Fernrelais 12V-80A | 1 | |
| 8 | 1D001433 | Blinkgeber mit Check | 1 | |
| 9 | 56539R | Hupe | 1 | |
| 10 | B025161 | Hupenschutz | 1 | |
| 11 | 015859 | Schraube 3,5x16 | 2 | |
| 12 | 003054 | U.scheibe 4,3x8x0,5 | 2 | |
| 13 | 1D001636 | Mikrorelais mit Widerstand 12V 30A/10A | 1 | |
| 14 | B007353 | Fernschalter A727 12V-30A 702.50 46520422 | 2 | |

| | |
|---------------------|--|
| Einheit | Elektrische Anlage |
| Code | 06.06 |
| Beschreibung | Spannungsreglerern - Elektronisches Steuergerern - Zündspule |
| Inspektion | 1 |



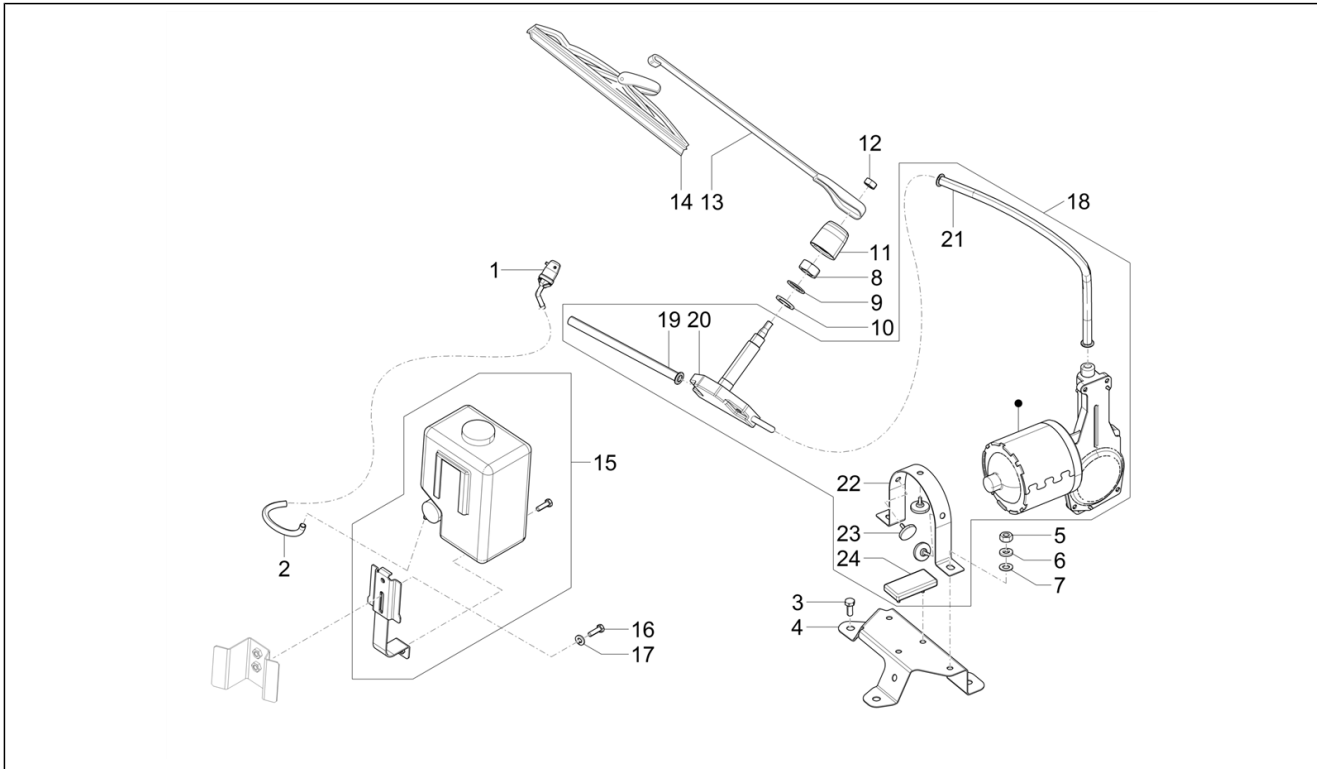
| Pos. | Code | Beschreibung | Menge | Varianten |
|------|----------|---------------------------|-------|-----------|
| 1 | 58090R5 | Spannungsregler | 1 | |
| 2 | 031092 | Schraube M6x25 | 2 | |
| 3 | 013754 | Unterlegscheibe | 2 | |
| 4 | 012533 | Zahnscheibe 6,6x11x0 | 2 | |
| 5 | 020106 | Mutter M6 | 2 | |
| 6 | 1A011907 | Zündelektronik | 1 | |
| 7 | 080341 | Kabel Zündspulensockel | 1 | |
| 8 | 127966 | Kabelschuh | 1 | |
| 9 | 244395 | Zündkerzenstecker | 1 | |
| 10 | B007160 | Haltebügel Zündelektronik | 1 | |
| 11 | 012112 | Mutter | 4 | |
| 12 | 013754 | Unterlegscheibe | 2 | |
| 14 | 401606 | Buchse | 2 | |
| 16 | 016406 | Federring 6,4x11,8x1 | 2 | |
| 15 | 401605 | Puffer | 2 | |
| 13 | 244585 | Distanzscheibe | 2 | |

| | |
|---------------------|--------------------|
| Einheit | Elektrische Anlage |
| Code | 06.08 |
| Beschreibung | Hauptkabelbaum |
| Inspektion | 1 |



| Pos. | Code | Beschreibung | Menge | Varianten |
|------|----------|-----------------------|-------|--|
| 1 | 1D002518 | Cable harness | 1 | |
| 2 | 252772 | Kabelführung | 2 | MODELL: Top (alloy dropside)[Top] Long deck[PL] |
| 3 | CM061802 | Minuskabel Batterie | 1 | |
| 4 | 031086 | Schraube M6x12 | 1 | |
| 5 | 012533 | Zahnscheibe 6,6x11x0 | 1 | |
| 6 | 020106 | Mutter M6 | 1 | |
| 7 | 1D001143 | Kabelschelle | 4 | |
| 8 | 117614 | Kabelführung | 3 | |
| 9 | 145298 | Reißschelle L= 180 mm | 1 | |
| 10 | 1D002593 | | 1 | MODELL: Top (alloy dropside)[Top] Long deck[PL] |

| | |
|---------------------|---------------------------------------|
| Einheit | Elektrische Anlage |
| Code | 06.16 |
| Beschreibung | Vorderer und hinterer Scheibenwischer |
| Inspektion | 1 |



| Pos. | Code | Beschreibung | Menge | Varianten |
|------|----------|---|-------|-----------|
| 1 | B004721 | Wischwasserdüse | 1 | |
| 2 | B004722 | Leitung | 1 | |
| 3 | CM288916 | Sechskantschraube mit doppelter Unterlegscheibe M6x16 | 3 | |
| 4 | 1E003087 | Halterbügel | 1 | |
| 5 | 020106 | Mutter M6 | 2 | |
| 6 | 003056 | Flachscheibe 6,4x12x1 | 2 | |
| 7 | 016406 | Federring 6,4x11,8x1 | 2 | |
| 8 | 1E003211 | Mutter M6 | 1 | |
| 9 | 1E003212 | Kegelförmige Unterlegscheibe | 1 | |
| 10 | 229524 | Unterlegscheibe | 1 | |
| 11 | 1E003210 | Schutz | 1 | |
| 12 | 195482 | Mutter, selbstsichernd M6 | 1 | |
| 13 | 660950 | Scheibenwischerarm | 1 | |
| 14 | 568790 | Bürste | 1 | |
| 15 | 1E003046 | Wischertank | 1 | |
| 16 | 031086 | Schraube M6x12 | 2 | |
| 17 | 269134 | Flachscheibe | 2 | |
| 18 | 1E003098 | | 1 | |
| 19 | 1E003220 | Leitung | 1 | |
| 20 | 1E003208 | Gehäuse | 1 | |
| 21 | 1E003209 | Leitung | 1 | |
| 22 | 1E003217 | Halteschelle Scheibenwischermotor | 1 | |
| 23 | 1E003218 | Puffer | 3 | |
| 24 | 1E003219 | Puffer | 1 | |